

Residential,
commercial and
industrial systems
for the **automation**
and **control** of gates,
garage doors and
barriers.

Nice Gate&Door catalogue 2019

gds
gate drive systems australia

Nice

Gate&Door / Catalogue 2019

Residential and Commercial

7 Systems for Swing Gates

43 Systems for Sliding Gates

63 Garage Doors

79 Commercial and Industrial

80 Sliding Gate Operators - Low Voltage

82 Sliding Gate Operators

86 Chain Sliders

88 Belt Drive

90 Swing Gate Operators

94 Drive Bolt Lock

95 Drive Bolt Lock Slim

97 Boom Barriers

98 GDS Barrier Adjustable 4m-6m arm

100 Nice Bar System - S-BAR, M-BAR, L-BAR

113 Accessories

The logo for the company 'Nice' is located in the bottom right corner. It consists of a solid blue square with the word 'Nice' written in white, bold, sans-serif font.



FOR GATES
AND VEHICLE ACCESS



FOR DOORS



FOR YOU



Residential, commercial and industrial systems for the automation and control of gates, garage doors and barriers

Nice Australia provide functional products with an exciting design that allows people to enter and leave their home and business in complete freedom, with the utmost comfort and security, and therefore enjoy their living and work spaces to the full.

Nice offers the simplest integration, the widest range, the most advanced electronics, the finest design and the most complete and attractive automation system.

Nice Australia manufacture GDS products - industrial quality automatic gate drive systems made in Australia for Australian conditions. GDS products have been developed and manufactured in Australia since 1990. Our range of industrial grade, cast iron gearboxes and motors are suited for the most rigorous applications to be used in our operators. Gate drive systems are 100% duty cycle with intelligent inverters that allow the installer a vast amount of options. The products are underpinned by exceptional service and support direct from the Australian manufacturer.

In 2015 Nice SpA identified and invested in a proudly South African company - ET Systems, who had a proven track record as leaders in our very competitive industry. Nice and ET Nice provide the most comprehensive and extensive range of sliding gate motors and garage door motors.



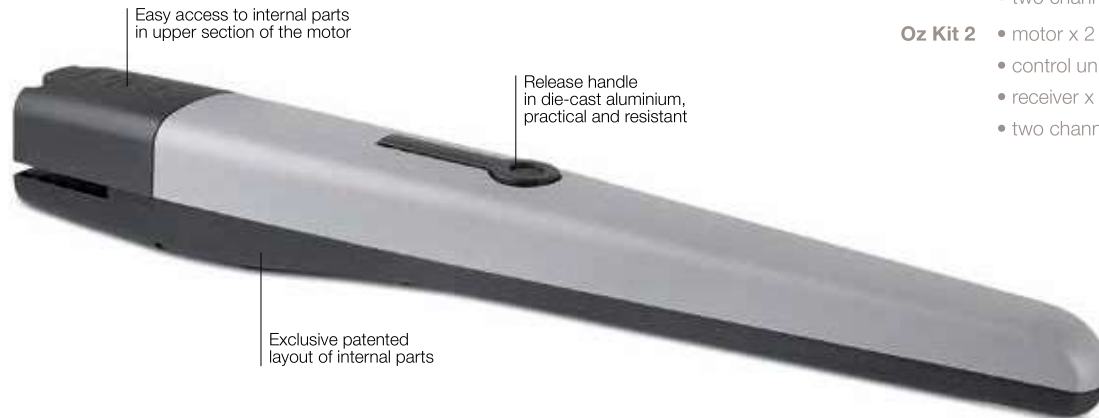


Systems for Swing Gates

Surface mounted	08	Toona 4
	10	Toona 5
	12	Toona HS
	14	Toona 7
	16	Titan HS
<hr/>		
Surface mounted	18	Wingo 2024/3524KCE
	20	Wingo HS
	22	Oltre 1824
<hr/>		
Surface mounted, with articulated arm	24	Walkykit 1024
	26	Walkykit 2024
	28	Hopp
	30	Hyke HS
<hr/>		
Underground installation	32	S-Fab
	34	M-Fab
	36	M-Fab HS
	38	L-Fab
	40	Big-Fab

Toona 4

For swing gates with leaves up to 3 m



Oz Kit

- Oz Kit 1**
- motor x 1
 - control unit x 1
 - receiver x 1
 - two channel remote x 2
- Oz Kit 2**
- motor x 2
 - control unit x 1
 - receiver x 1
 - two channel remote x 2

Ideal for residential applications.

Electromechanical gear motor, surface mounted. Also available in 24 Vdc version, with magnetic encoder.

Reliability and durability over time: thanks to the housing, made up of two tough aluminium shells with polyester paint finish; more resistant to atmospheric agents.

Internal moving parts completely in steel, light alloys and technopolymers.

Silent: patented layout of internal parts and lead nut in bronze.

Generously sized and practical connection compartment: rapid and easy access from above to internal parts located in the upper section of the motor.

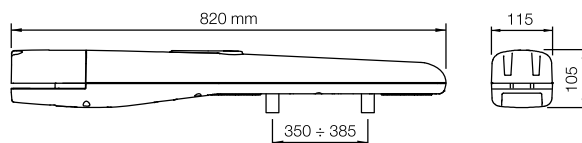
Simple installation and maintenance: with built-in capacitor.

Recommended control units: Mindy A6F, A60, A700F; Moonclever MC824H for TO4024.

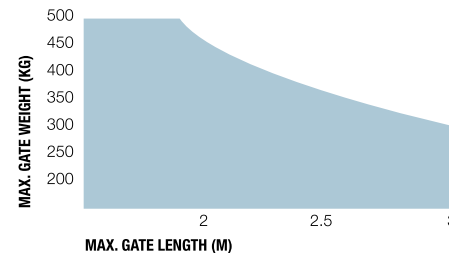
24 Vdc version with magnetic encoder. **Perfect for intensive use**, compatible with the control unit Moonclever MC824H:

- simple programming, by means of a single key;
- automatic memorization of limit switches on opening and closing with self-learning function;
- automatic fault diagnostics;
- programming of pause time;
- pedestrian pass door;
- deceleration on opening and closing;
- obstacle detection with dual technology;
- operation in event of power failure by means of optional rechargeable batteries (PS324);
- provision for connection of latest generation resistive sensitive edges.

DIMENSIONS



UTILISATION LIMITS



The shape, the height of the gate and the weather conditions can considerably reduce the values shown in the graph to the side.

Use in windy areas 230 Vac models.

COMMON ACCESSORIES



IBT4N
Interface for connecting the O-View programming unit.
Pc./Pack 1



IT4WIFI
Smart Wi-fi interface to manage gates and garage doors by smartphone. (Not compatible with the Solemyo kit and PS324)
Pc./Pack 1



PLA6
Rear bracket 250 mm long.
Pc./Pack 1



PLA14
Screw-adjustable rear bracket.
Pc./Pack 2



PLA15
Screw-adjustable front bracket.
Pc./Pack 2



PLA10
Vertical 12 V electric lock.
Pc./Pack 1



PLA11
Horizontal 12 V electric lock.
Pc./Pack 1



PLA13
Mechanical travel stops for closing and opening manoeuvres.
Pc./Pack 4

ACCESSORY FOR 24 V VERSION



TS
Signboard.
Pc./Pack 1



PS324
24 V battery with integrated battery charger.
Pc./Pack 1



SOLEMYO KIT
The solar power to automate gates, garage doors or barrier gates.
See page 128.

TECHNICAL SPECIFICATIONS

Code	Description	Pack/Pallet
T04024	Irreversible, 24 Vdc, with magnetic encoder, mechanical stop on opening	20
T04005	Irreversible, 230 Vac, increased speed, with limit switch on opening	20
T04006	Irreversible, 230 Vac, increased speed, with limit switch on opening and closing	20
T04015	Irreversible, 230 Vac, cruising speed, with limit switch on opening	20
T04605	Reversible, 230 Vac, increased speed, with limit switch on opening	20

Code	T04024	T04005	T04006	T04015	T04605
ELECTRICAL DATA					
Power supply (Vac 50 Hz)*	-			230	
Power supply (Vdc)	24			-	
Absorption (A)	5		1.5		1.3
Power (W)	120		340		300
PERFORMANCE DATA					
Speed (m/s)		0.016		0.013	0.016
Force (N)			1800		
Work cycle (cycles/hour)	95**		58	54	50
DIMENSIONAL AND GENERAL DATA					
Protection level (IP)			44		
Working temp. (°C Min/Max)			-20 ÷ +50		
Dimensions (mm)			820x115x105 h		
Weight (kg)			6		

** With optimal installation.

COMPATIBILITY TABLE WITH CONTROL SYSTEMS AND ACCESSORIES

Code	control unit/receiver						transmitter				photocells								flashing light						
	MC200 / Built-in*	MC800 / OXI	DPRO500 / OXI-SMAXI*	A924 / FLOX12R*	MC424L / Built-in*	MC824H / OXI	MC824HR / OXI	ERA INTI	ERA ONE	ERA FLOR	NICEWAY	EPS	EPM	EPL	EPSB	EPMB	EPLB	EPMOV	F210	FT210	F210B	FT210B	ELAC	ELDC	WLT
T04024						•	•	•	•	•					•	•	•	•						•	•
T04005		•					•	•	•	•	•	•	•						•	•			•		
T04006		•					•	•	•	•	•	•	•						•	•			•		
T04015		•					•	•	•	•	•	•	•						•	•			•		
T04605		•					•	•	•	•	•	•	•						•	•			•		

* Radio receiver incompatible with Opera system

Toona 5

For swing gates with leaves up to 5 m

Ideal for residential and industrial applications.

Electromechanical gear motor, surface mounted. Also available in 24 Vdc version, with magnetic encoder.

Reliability and durability over time: thanks to the housing, made up of two tough aluminium shells with polyester paint finish; more resistant to atmospheric agents.

Internal moving parts completely in steel, light alloys and technopolymers.

TO5024I ideal for intensive work load, thanks to the torque of 2200 Nm, can work on continuous duty on large sized gates.

Silent: patented layout of internal parts and lead nut in bronze.

Generously sized and practical connection compartment: rapid and easy access from above to internal parts located in the upper section of the motor.

Simple installation and maintenance: with built-in capacitor.

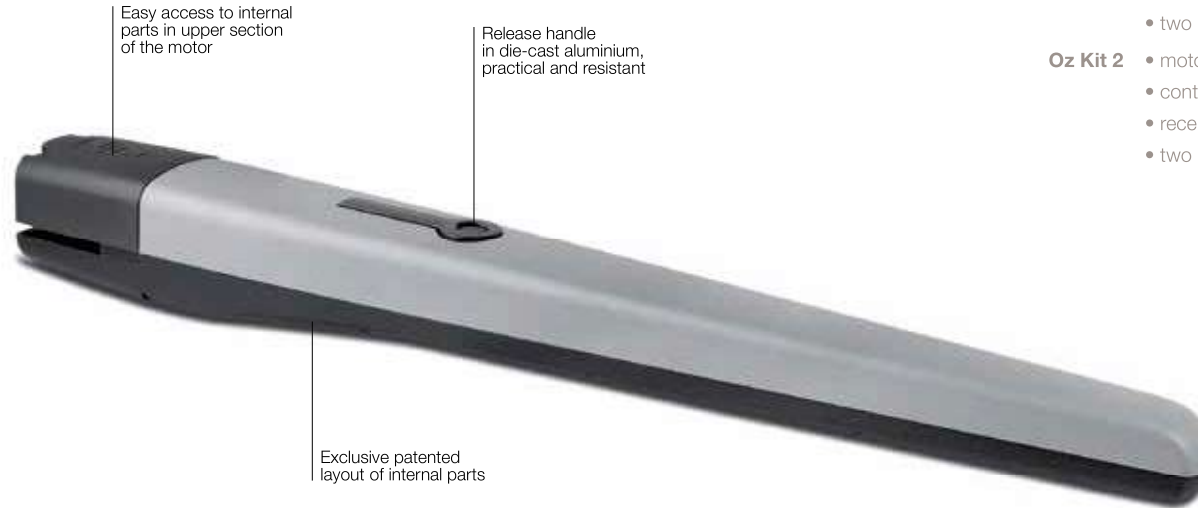
Recommended control units: Mindy A6F, A60, A700F; Moonclever MC824H for TO5024 and TO5024I.

24 Vdc version with magnetic encoder. **Perfect for intensive use**, compatible with the control unit Moonclever MC824H:

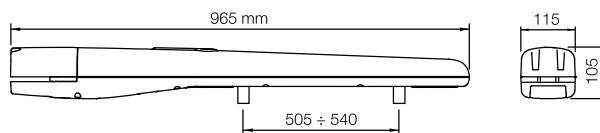
- simple programming, by means of a single key;
- automatic memorization of limit switches on opening and closing with self-learning function;
- automatic fault diagnostics;
- programming of pause time;
- pedestrian pass door;
- deceleration on opening and closing;
- obstacle detection with dual technology;
- operation in event of power failure by means of optional rechargeable batteries (PS324);
- provision for connection of latest generation resistive sensitive edges.

Oz Kit

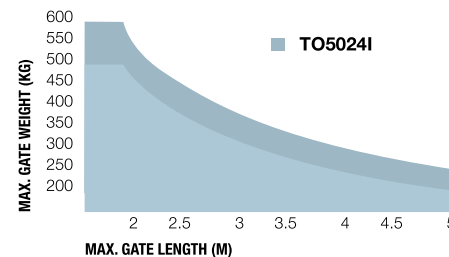
- Oz Kit 1**
- motor x 1
 - control unit x 1
 - receiver x 1
 - two channel remote x 2
- Oz Kit 2**
- motor x 2
 - control unit x 1
 - receiver x 1
 - two channel remote x 2



DIMENSIONS



UTILISATION LIMITS



The shape, the height of the gate and the weather conditions can considerably reduce the values shown in the graph to the side.

Use in windy areas 230 Vac models.

COMMON ACCESSORIES



IBT4N
Interface for connecting the O-View programming unit.
Pc./Pack 1



IT4WIFI
Smart Wi-fi interface to manage gates and garage doors by smartphone. (Not compatible with the Solemyo kit and PS324)
Pc./Pack 1



PLA6
Rear bracket 250 mm long.
Pc./Pack 1



PLA8
Screw-adjustable front bracket.
Pc./Pack 1



PLA10
Vertical 12 V electric lock (required for gates longer than 3 m).
Pc./Pack 1



PLA11
Horizontal 12 V electric lock (required for gates longer than 3 m).
Pc./Pack 1



PLA13
Mechanical travel stops for closing and opening manoeuvres.
Pc./Pack 4



TS
Signboard.
Pc./Pack 1

ACCESSORY FOR 24 V VERSION



PS324
24 V battery with integrated battery charger.
Pc./Pack 1



SOLEMYO KIT
The solar power to automate gates, garage doors or barrier gates.
See page 128.

TECHNICAL SPECIFICATIONS

Code	Description	Pack/Pallet
T05024	Irreversible, 24 Vdc, with magnetic encoder, mechanical stop on opening	20
T05024I	Irreversible, 24 Vdc, with magnetic encoder, mechanical stop on opening; for intensive use	20
T05015	Irreversible, 230 Vac, cruising speed, with limit switch on opening	20
T05016	Irreversible, 230 Vac, cruising speed, with limit switch on opening and closing	20
T05605	Reversible, 230 Vac, increased speed, with limit switch on opening	20

Code	T05024	T05024I	T05015	T05016	T05605
ELECTRICAL DATA					
Power supply (Vac 50 Hz)*	-		230		
Power supply (Vdc)	24		-		
Absorption (A)	5		1.5		1.3
Power (W)	120		340		300
PERFORMANCE DATA					
Speed (m/s)	0.016		0.013		0.016
Force (N)	1800		2200		1800
Work cycle (cycles/hour)	95**		75***		50
DIMENSIONAL AND GENERAL DATA					
Protection level (IP)	44				
Working temp. (°C Min/Max)	-20 ÷ +50				
Dimensions (mm)	965x115x105 h				
Weight (kg)	7				

** With optimal installation.

*** The reduction in number of manoeuvres with respect to the version T05024 depends solely on the lower manoeuvre speed.

COMPATIBILITY TABLE WITH CONTROL SYSTEMS AND ACCESSORIES

Code	control unit/receiver						transmitter				photocells								flashing light						
	MC200 / Built-in*	MC800 / OXI	DPRO500 / OXI-SMXY*	A924 / FLOX12R*	MC424L / Built-in*	MC824H / OXI	MC824HR / OXI	ERA INTI	ERA ONE	ERA FLOR	NICEWAY	EPS	EPW	EPL	EPSB	EPWB	EPLB	EPWOW	F210	FT210	F210B	FT210B	ELAC	ELDC	WLT
T05024						•	•	•	•	•				•	•	•	•						•	•	•
T05024I						•	•	•	•	•				•	•	•	•						•	•	•
T05015		•					•	•	•	•	•	•	•					•	•						
T05016		•					•	•	•	•	•	•	•					•	•				•	•	
T05605		•					•	•	•	•	•	•	•					•	•				•	•	

* Radio receiver incompatible with Opera system

Toona HS

For rapid operation of swing gates with leafs of up to 5 m or 400 kg (TO5024HS) and up to 6 m or 1450 Kg (TO6024HS)

Ideal for residential and industrial applications.

24 Vdc, electromechanical gear motor, surface mounted, with magnetic encoder.



Quick manoeuvres: 90° opening in about 16* seconds with TO5024HS and about 30* seconds with TO6024HS.



Oz Kit

- Oz Kit 1**
- motor x 1
 - control unit x 1
 - receiver x 1
 - two channel remote x 2
- Oz Kit 2**
- motor x 2
 - control unit x 1
 - receiver x 1
 - two channel remote x 2

Reliable: the magnetic encoder ensures the safeguard of set values over time and precise obstacle detection.

Silent: patented layout of internal parts and lead nut in bronze.

Sturdy: thanks to the housing, made up of two tough aluminium shells with polyester paint finish; more resistant to atmospheric agents.

Internal moving parts completely in steel, light alloys and technopolymers.

Generously sized and practical connection

compartment: rapid and easy access from above to internal parts located in the upper section of the motor.

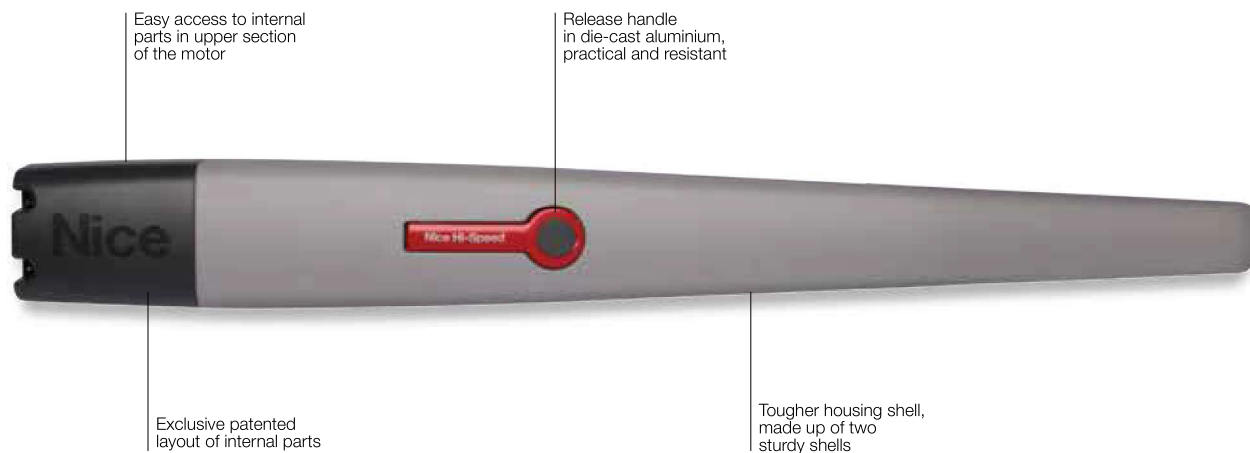
Simple installation and maintenance: with built-in capacitor.

Wholly compatible with the Moby series: same dimensions and fixing brackets.

Moonclever MC824H control unit:

- simple programming, by means of a single key;
- automatic memorization of limit switches on opening and closing with self-learning function;
- automatic fault diagnostics;
- programming of pause time;
- pedestrian pass door;
- deceleration on opening and closing;
- obstacle detection with dual technology;
- operation in event of power failure by means of optional rechargeable batteries (PS324);
- provision for connection of latest generation resistive sensitive edges.

* Considering standard installation, excluding acceleration and deceleration.



Easy access to internal parts in upper section of the motor

Release handle in die-cast aluminium, practical and resistant

Exclusive patented layout of internal parts

Tougher housing shell, made up of two sturdy shells

COMMON ACCESSORIES



IBT4N

Interface for connecting the O-View programming unit.

Pc./Pack 1



IT4WIFI

Smart Wi-fi interface to manage gates and garage doors by smartphone. (Not compatible with the Solemyo kit and PS324)

Pc./Pack 1



PS324

24 V battery with integrated battery charger.

Pc./Pack 1



PLA10

Vertical 12 V electric lock (required for gates longer than 3 m).

Pc./Pack 1



PLA11

Horizontal 12 V electric lock (required for gates longer than 3 m).

Pc./Pack 1



TS

Signboard.

Pc./Pack 1



SOLEMYO KIT

The solar power to automate gates, garage doors or barrier gates.

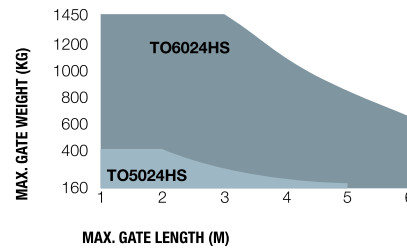
See page 128.

TECHNICAL SPECIFICATIONS

Code	Description	Pack/Pallet
TO5024HS	Irreversible, 24 Vdc, fast, with magnetic encoder, mechanical stop on opening and closing	20
TO6024HS	Irreversible, 24 Vdc, fast, with magnetic encoder, mechanical stop on opening and closing	20

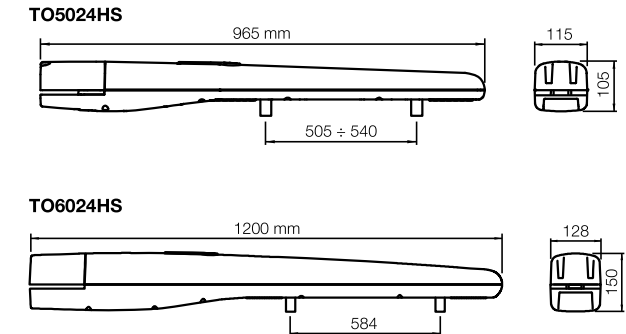
Code	TO5024HS	TO6024HS
ELECTRICAL DATA		
Power supply (Vdc)	24	
Absorption (A)	5	
Power (W)	120	
PERFORMANCE DATA		
Speed (m/s)	>> 0.025 <<	>> 0.016 <<
Force (N)	1800	2200
Work cycle (cycles/hour)	95	41
DIMENSIONAL AND GENERAL DATA		
Protection level (IP)	44	
Working temp. (°C Min/Max)	-20 ÷ +50	
Dimensions (mm)	965x115x105 h	1200x128x150 h
Weight (kg)	7.5	15

UTILISATION LIMITS



The shape, the height of the gate and the weather conditions can considerably reduce the values shown in the graph to the side. Use in windy areas 230 Vac models.

DIMENSIONS



COMPATIBILITY TABLE WITH CONTROL SYSTEMS AND ACCESSORIES

Code	control unit/receiver						transmitter				photocells								flashing light						
	MC200 / Built-in*	MC800 / OXI	DPR0500 / OXI-SMIXI*	A924 / FLOX12R*	MC424L / Built-in*	MC824H / OXI	MC824HR / OXI	ERA INTI	ERA ONE	ERA FLOR	NICEWAY	EPS	EPM	EPL	EPSB	EPMB	EPLB	EPMOV	F210	FT210	F210B	FT210B	ELAC	ELDC	WLT
TO5024HS																									
TO6024HS																									

* Radio receiver incompatible with Opera system

Toona 7

For swing gates with leaves up to 7 m

Ideal for industrial applications, designed for intensive use.

Electromechanical gear motor, surface mounted, powered at 24 Vdc, with magnetic encoder.

Reliability and durability over time: thanks to the housing, made up of two tough aluminium shells with polyester paint finish; more resistant to atmospheric agents.

Internal moving parts completely in steel, light alloys and technopolymers.

Silent: patented layout of internal parts and lead nut in bronze.

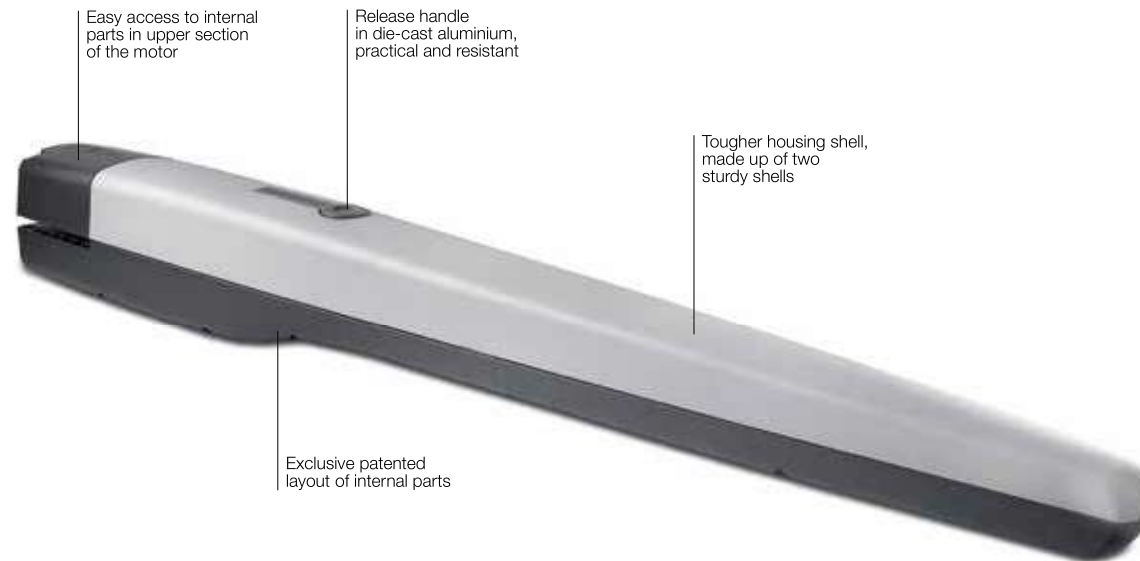
Generously sized and practical connection compartment: rapid and easy access from above to internal parts located in the upper section of the motor.

Moonclever MC824H control unit:

- simple programming, by means of a single key;
- automatic memorization of limit switches on opening and closing with self-learning function;
- automatic fault diagnostics;
- programming of pause time;
- pedestrian pass door;
- deceleration on opening and closing;
- obstacle detection with dual technology;
- operation in event of power failure by means of optional rechargeable batteries (PS324);
- provision for connection of latest generation resistive sensitive edges.

Oz Kit

- Oz Kit 1**
- motor x 1
 - control unit x 1
 - receiver x 1
 - two channel remote x 2
- Oz Kit 2**
- motor x 2
 - control unit x 1
 - receiver x 1
 - two channel remote x 2



Easy access to internal parts in upper section of the motor

Release handle in die-cast aluminium, practical and resistant

Tougher housing shell, made up of two sturdy shells

Exclusive patented layout of internal parts

COMMON ACCESSORIES



IBT4N
Interface for connecting the O-View programming unit.

Pc./Pack 1



IT4WIFI
Smart Wi-fi interface to manage gates and garage doors by smartphone. (Not compatible with the Solemyo kit and PS324)

Pc./Pack 1



PS324
24 V battery with integrated battery charger.

Pc./Pack 1



PLA10
Vertical 12 V electric lock (required for gates longer than 3 m).

Pc./Pack 1



PLA11
Horizontal 12 V electric lock (required for gates longer than 3 m).

Pc./Pack 1



TS
Signboard.

Pc./Pack 1



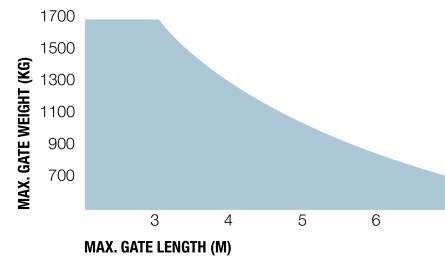
SOLEMYO KIT
The solar power to automate gates, garage doors or barrier gates.

See page 128.

TECHNICAL SPECIFICATIONS

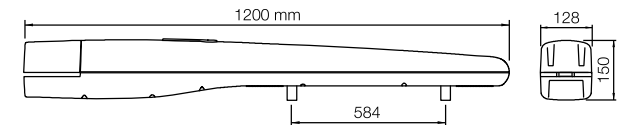
Code	Description	Pack/Pallet
T07024	Irreversible, 24 Vdc, fast, with magnetic encoder, mechanical stop on opening and closing	20
Code		
		T07024
ELECTRICAL DATA		
Power supply (Vdc)		24
Absorption (A)		5
Power (W)		120
PERFORMANCE DATA		
Speed (m/s)		0.013
Force (N)		2700
Work cycle (cycles/hour)		41
DIMENSIONAL AND GENERAL DATA		
Protection level (IP)		44
Working temp. (°C Min/Max)		-20 ÷ +50
Dimensions (mm)		1200x128x150 h
Weight (kg)		15

UTILISATION LIMITS



The shape, the height of the gate and the weather conditions can considerably reduce the values shown in the graph to the side.

DIMENSIONS



COMPATIBILITY TABLE WITH CONTROL SYSTEMS AND ACCESSORIES


Code	control unit/receiver				transmitter				photocells								flashing light								
	MC200 / Built-in*	MC800 / OXI	DPRO500 / OXI-SMXXI*	A924 / FLOX12R*	MC424L / Built-in*	MC824H / OXI	MC824HR / OXI	ERA INTI	ERA ONE	ERA FLOR	NICEWAY	EPS	EPM	EPL	EPSB	EPMB	EPLB	EPMOW	F210	FT210	F210B	FT210B	ELAC	ELDC	WLT
T07024						•		•	•	•					•	•	•	•						•	•

* Radio receiver incompatible with Opera system

Titan HS

For rapid operation of swing gates with leaves of up to 3.7 m (TTN3724HS, TTN3724RHS), 6 m (TTN6024HS, TTN6024RHS) or 450 Kg

24 Vdc, electromechanical gear motor, surface mounted, with magnetic encoder.

 **Quick manoeuvres:** 90° opening in about 12* seconds with TTN3724HS and TTN3724RHS or 19* seconds with TTN6024HS and TTN6024RHS.

Oz Kit

- Oz Kit 1**
- motor x 1
 - control unit x 1
 - receiver x 1
 - two channel remote x 2

- Oz Kit 2**
- motor x 2
 - control unit x 1
 - receiver x 1
 - two channel remote x 2

Reliable: the magnetic encoder ensures the safeguard of set values over time and precise obstacle detection.

Easy to install: electrical connections easily accessible from above, thanks to the dedicated access. Fixing brackets are supplied with the motor.

Versatile: the motor can also be installed in the bottom part of the gate leaf, at a distance of at least 110 mm from the ground.

Practical and safe: easy convenient key release located in the top part of the motor, allowing the gate leaves to be opened and closed manually in the event of a blackout.

Models TTN3724HS and TTN6024HS are compatible with the Moonclever MC824H control unit, while models TTN3724RHS and TTN6024RHS are compatible with the MC824HR control unit:

- simple programming, by means of a single key;
- automatic memorization of limit switches on opening and closing with self-learning function;
- automatic fault diagnostics;
- programming of pause time;
- pedestrian pass door;
- deceleration on opening and closing;
- obstacle detection with dual technology;
- operation in event of power failure by means of optional rechargeable batteries (PS324);
- provision for connection of latest generation resistive sensitive edges.

* Considering standard installation, excluding acceleration and deceleration.



COMMON ACCESSORIES



IBT4N

Interface for connecting the O-View programming unit.

Pc./Pack 1



IT4WIFI

Smart Wi-fi interface to manage gates and garage doors by smartphone. (Not compatible with the Solemyo kit and PS324)

Pc./Pack 1



PS324

24 V battery with integrated battery charger.

Pc./Pack 1



PLA10

Vertical 12 V electric lock (required for gates longer than 3 m).

Pc./Pack 1



PLA11

Horizontal 12 V electric lock (required for gates longer than 3 m).

Pc./Pack 1



TS

Signboard.

Pc./Pack 1



SOLEMYO KIT

The solar power to automate gates, garage doors or barrier gates.

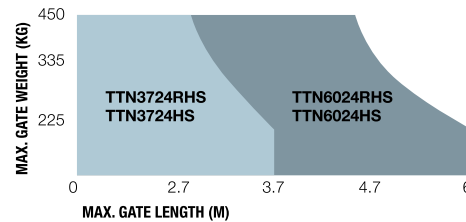
See page 128.

TECHNICAL SPECIFICATIONS

Code	Description	Pack/Pallet
TTN3724HS	Non-reversible, 24 Vdc, fast, with magnetic encoder, for swing gates with leafs of up to 3.7 m or 450 kg	32
TTN3724RHS	Reversible, 24 Vdc, fast, with magnetic encoder, for swing gates with leafs of up to 3.7 m or 450 kg	32
TTN6024HS	Non-reversible, 24 Vdc, fast, with magnetic encoder, for swing gates with leaves of up to 6 m or 450 kg	32
TTN6024RHS	Reversible, 24 Vdc, fast, with magnetic encoder, for swing gates with leaves of up to 6 m or 450 kg	32

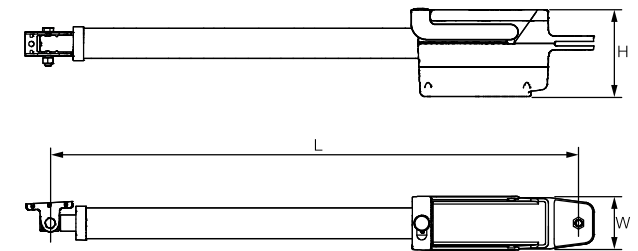
Code	TTN3724HS	TTN6024HS	TTN3724RHS	TTN6024RHS
ELECTRICAL DATA				
Power supply (Vdc)	24			
Absorption (A)	6	7	6	7
Power (W)	150		170	
PERFORMANCE DATA				
Speed (m/s)	>> 0.032 <<	>> 0.027 <<	>> 0.032 <<	>> 0.027 <<
Force (N)	1900			
Work cycle (cycles/hour)	continuous cycle			
DIMENSIONAL AND GENERAL DATA				
Protection level (IP)	54			
Working temp. (°C Min/Max)	-20 ÷ +55			
Dimensions (mm)	910x105x170 h	1080x105x170 h	910x105x170 h	1080x105x170 h
Weight (kg)	8	9	8	9
L max / L min / travel (mm)	1370 / 860 / 510	1710 / 1030 / 680	1370 / 860 / 510	1710 / 1030 / 680
WxH (mm)	105x170			

UTILISATION LIMITS



The shape, the height of the gate and the weather conditions can considerably reduce the values shown in the graph to the side.

DIMENSIONS



COMPATIBILITY TABLE WITH CONTROL SYSTEMS AND ACCESSORIES

Code	control unit/receiver						transmitter				photocells								flashing light						
	MC200 / Built-in*	MC800 / OXI	DPRO500 / OXI-SMXY*	A924 / FLOXIZR*	MC424L / Built-in*	MC824H / OXI	MC824HR / OXI	ERA INTI	ERA ONE	ERA FLOR	NICEWAY	EPS	EPW	EPL	EPSB	EPWB	EPLB	EPWOW	F210	FT210	F210B	FT210B	ELAC	ELDC	WLT
TTN3724HS					•	•	•	•	•	•				•	•	•	•						•	•	•
TTN3724RHS						•	•	•	•	•				•	•	•	•						•	•	•
TTN6024HS					•									•	•	•	•						•	•	•
TTN6024RHS						•	•	•	•	•				•	•	•	•						•	•	•

* Radio receiver incompatible with Opera system

Wingo 2024/3524KCE

For swing gates with leaves from 2 m - 3.5 m

Surface mounted 24 VDC electromechanical gear motor.

Reliable and silent: patented layout of internal parts, fewer moving parts.

Easy to install: after the gear motor has been assembled, all electrical connections are made from above.

User-friendly release with personalised Nice key and standard lock included.



Oz Kit

- Oz Kit 1**
- motor x 2
 - control unit x 1
 - transmitters x 2

Pre-assembled, travel stops on opening.

Moonclever MC424L control unit:

- built-in radio receiver;
- simple programming, by means of a single key;
- clutch with anti-crush safety feature;
- automatic memorization of limit switches on opening and closing with self-learning function;
- programming of pause time;
- pedestrian pass door;
- deceleration on opening and closing;
- obstacle detection system;
- can be linked to the 8.2 KOhm resistive sensitive edge;
- continues to work even during power failures using optional (PS124) batteries that fit inside the control unit.



COMMON ACCESSORIES



IBT4N
Interface for connecting the O-View programming unit.

Pc./Pack 1



IT4WIFI
Smart Wi-fi interface to manage gates and garage doors by smartphone. (Not compatible with the Solemyo kit and PS324)

Pc./Pack 1



PS124
24 V battery with integrated battery charger.

Pc./Pack 1



PLA14
Screw-adjustable rear bracket.

Pc./Pack 2



PLA15
Screw-adjustable front bracket.

Pc./Pack 2



PLA10
Vertical 12 V electric lock.

Pc./Pack 1



PLA11
Horizontal 12 V electric lock.

Pc./Pack 1



SOLEMYO KIT
The solar power to automate gates, garage doors or barrier gates.

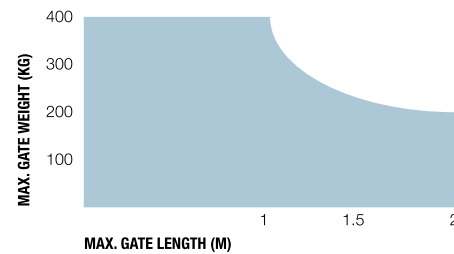
See page 128.

TECHNICAL SPECIFICATIONS

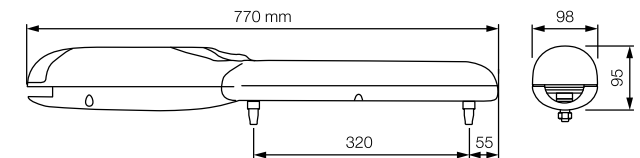
Code	Description	Pack/Pallet
WINGO2024KCE	Kit for swing gates with leaves up to 2 m, 24 Vdc, surface mounted	12
WINGO3524KCE	Kit for swing gates with leaves up to 3.5 m, 24 Vdc, surface mounted	12

Code	WG2024	WG3524
ELECTRICAL DATA		
Power supply (Vdc)	24	24
Absorption (A)	3.5	5
Power (W)	85	120
PERFORMANCE DATA		
Speed (m/s)	0.018	0.018
Force (N)	1500	1500
Work cycle (cycles/hour)	30	30
DIMENSIONAL AND GENERAL DATA		
Protection level (IP)	44	44
Working temp. (°C Min/Max)	-20 ÷ +50	-20 ÷ +50
Dimensions (mm)	770x98x95 h	920x98x95 h
Weight (kg)	6	6

UTILISATION LIMITS



DIMENSIONS WG2024



Wingo HS

For hi-speed automation of swing gates with leaves up to 3 m or 200 Kg

Ideal for residential applications.

24 Vdc, electromechanical gear motor, surface mounted, with magnetic encoder.



Quick manoeuvres: 90° opening in about 10* seconds.

Reliable: the magnetic encoder ensures the safeguard of set values over time and precise obstacle detection.

Silent: patented layout of internal parts, fewer moving parts.

Easy to install: after the gear motor has been assembled, all electrical connections are made from above.

Pre-assembled travel stops on opening.

Moonclever MC824H control unit:

- simple programming, by means of a single key;
- automatic memorization of limit switches on opening and closing with self-learning function;
- automatic fault diagnostics;
- programming of pause time;
- pedestrian pass door;
- deceleration on opening and closing;
- obstacle detection with dual technology;
- operation in event of power failure by means of optional rechargeable batteries (PS324);
- provision for connection of latest generation resistive sensitive edges.

* Considering standard installation, excluding acceleration and deceleration.



Exclusive patented layout of internal parts

COMMON ACCESSORIES



IBT4N
Interface for connecting the O-View programming unit.

Pc./Pack 1



IT4WIFI
Smart Wi-fi interface to manage gates and garage doors by smartphone. (Not compatible with the Solemyo kit and PS324)

Pc./Pack 1



PS324
24 V battery with integrated battery charger.

Pc./Pack 1



PLA14
Screw-adjustable rear bracket.

Pc./Pack 2



PLA15
Screw-adjustable front bracket.

Pc./Pack 2



PLA10
Vertical 12 V electric lock.

Pc./Pack 1



PLA11
Horizontal 12 V electric lock.

Pc./Pack 1



SOLEMYO KIT
The solar power to automate gates, garage doors or barrier gates.

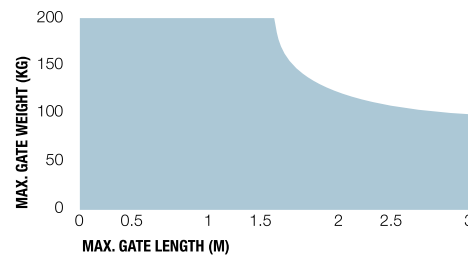
See page 128.

TECHNICAL SPECIFICATIONS

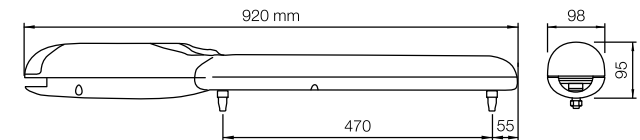
Code	Description	Pack/Pallet
WG3524HS	Irreversible, 24 Vdc, fast, with magnetic encoder, mechanical stop on opening and closing	20

Code	WG3524HS
ELECTRICAL DATA	
Power supply (Vdc)	24
Absorption (A)	5
Power (W)	120
PERFORMANCE DATA	
Speed (m/s)	>> 0.04 <<
Force (N)	1500
Work cycle (cycles/hour)	30
DIMENSIONAL AND GENERAL DATA	
Protection level (IP)	44
Working temp. (°C Min/Max)	-20 ÷ +50
Dimensions (mm)	920x98x95 h
Weight (kg)	6

UTILISATION LIMITS



DIMENSIONS



COMPATIBILITY TABLE WITH CONTROL SYSTEMS AND ACCESSORIES

Code	control unit/receiver				transmitter				photocells						flashing light										
	MC200 / Built-in*	MC800 / OXI	DPRO500 / OXI-SMIX*	A924 / FLOX12R*	MC424L / Built-in*	MC824H / OXI	MC824HR / OXI	ERA INTI	ERA ONE	ERA FLOR	NICEWAY	EPS	EPM	EPL	EPSB	EPMB	EPLB	EPMOW	F210	FT210	F210B	FT210B	ELAC	ELDC	WLT
WG3524HS					•		•	•	•	•				•	•	•	•				•		•		•

* Radio receiver incompatible with Opera system

Oltre 1824

For swing gates with leaves up to 1.8 m and 100 kg

Concealed motor for swing gates.

24 Vdc irreversible electromechanical gear motor.

Minimum visual impact: the motor is small enough to be easily installed inside the profiles of the gate leaf or in very slim posts (with a minimum diameter of 55 mm).

Oz Kit

- Oz Kit 1**
- motor x 1
 - MC824L control unit x 1
 - receiver x 1
 - two channel remote x 2
- Oz Kit 2**
- motor x 2
 - MC824L control unit x 1
 - receiver x 1
 - two channel remote x 2

Easy to install: the bottom-up installation simplifies fixing of the motor inside the post.

Resistant: die-cast aluminium structure, IP67, resists the most severe weather conditions.

Quick and reliable: complete opening (90°) of the leaf in about 10 seconds. Oltre has been tested for use at 60 cycles/hour, making it suitable for all contexts with intensive use.

Safe: easy-to-use external manual release: the gate can always be opened manually, without having to take it apart.

Dedicated Moonclever MC824L control unit:

- easy to programme;
- automatic memorization of limit switches on opening and closing with self-learning function;
- automatic fault diagnostics;
- programming of pause time;
- pedestrian pass door;
- deceleration on opening and closing;
- obstacle detection with dual technology;
- operation in event of power failure by means of optional rechargeable batteries (PS324);
- provision for connection of resistive sensitive edges.



COMMON ACCESSORIES



IT4WIFI
Smart Wi-fi interface to manage gates and garage doors by smartphone. (Not compatible with the Solemyo kit and PS324)

Pc./Pack 1



PS324
24 V battery with integrated battery charger.

Pc./Pack 1



PLA10
Vertical 12 V electric lock.

Pc./Pack 1



PLA11
Horizontal 12 V electric lock.

Pc./Pack 1



TS
Signboard.

Pc./Pack 1



SOLEMYO KIT
The solar power to automate gates, garage doors or barrier gates.

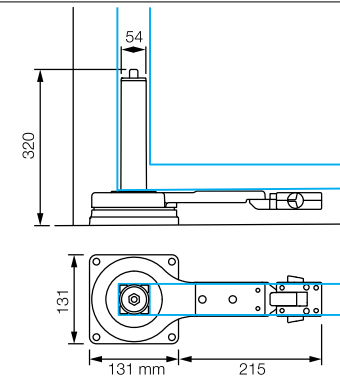
See page 128.

TECHNICAL SPECIFICATIONS

Code	Description	Pack/Pallet
OLTRE1824	24 Vdc irreversible for installation on post or leaf profile, with release lever	20

Code	OLTRE1824
ELECTRICAL DATA	
Power supply (Vdc)	24
Absorption (A)	1
Power (W)	25
PERFORMANCE DATA	
Speed (rpm)	1.5
Torque (Nm)	150
Work cycle (cycles/hour)	60
DIMENSIONAL AND GENERAL DATA	
Protection level (IP)	67
Working temp. (°C Min/Max)	-20 ÷ +50
Dimensions (mm)	305x145x346 h
Weight (kg)	5.5

DIMENSIONS



COMPATIBILITY TABLE WITH CONTROL SYSTEMS AND ACCESSORIES

Code	control unit/receiver				transmitter				photocells								flashing light									
	MC200 / Built-in*	MC800 / OXI	DPRO500 / OXI-SMIXI*	A924 / FLOX12R*	MC424L / Built-in*	MC824H / OXI	MC824HR / OXI	MC824L / OXI	ERA INTI	ERA ONE	ERA FLOR	NICEWAY	EPS	EPM	EPL	EPSB	EPMB	EPLB	EPMOW	F210	FT210	F210B	FT210B	ELAC	ELDC	WLT
OLTRE1824						•		•	•	•	•					•	•	•	•						•	•

* Radio receiver incompatible with Opera system

Walkykit 1024

For swing gates with leaves up to 1.8 m

Especially suited to gates in wood or PVC.

Irreversible electromechanical gear motor at 24 Vdc, with articulated arm.

Ultra compact: ideal for pedestrian gates, recommended for small posts (width 8 cm).

Safe: thanks to the irreversible motor and anti-shear arm with built-in mechanical stop on closure (with installation of entire arm).

Practical: the articulated arm enables installation in specific conditions, such as in the presence of small walls or obstacles adjacent to the post.

Quick: no waiting in front of the gate, just 7 seconds to open or close (in optimal installation conditions, with reduced arm and 90° opening).

Convenient: incorporable flashing Led indicator, with courtesy light function (WLT, optional); rapid motor release for manual movement of the gate.

Built-in control unit:

- simple programming;
- automatic memorization of limit switches on opening and closing with self-learning function;
- automatic fault diagnostics;
- programming of pause time;
- pedestrian pass door;
- deceleration on opening and closing;
- provision for connection of latest generation resistive sensitive edges.

No black out: with the optional batteries (PS424) housed inside the gear motor.



The kit contains:

WL1024C

1 Electromechanical gear motor, surface mounted, with built-in control unit and OXI plug-in receiver.

ON2E

1 Transmitter 433.92 MHz, 2 channels.

TS

1 Signboard.



COMMON ACCESSORIES



IT4WIFI
Smart Wi-fi interface to manage gates and garage doors by smartphone. (Not compatible with the Solemyo kit and PS324)

Pc./Pack 1



WLA1
Spare control unit, for WL1024C.

Pc./Pack 1



PS424
Buffer battery.

Pc./Pack 1



PLA10
Vertical 12 V electric lock.

Pc./Pack 1



PLA11
Horizontal 12 V electric lock.

Pc./Pack 1



WLT
Multi-function LED indicator. See page 211.

Pc./Pack 1



SOLEMYO KIT
The solar power to automate gates, garage doors or barrier gates.

See page 128.

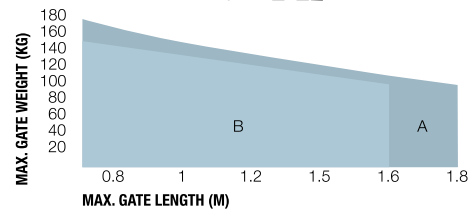
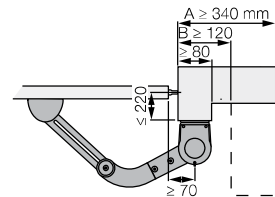
TECHNICAL SPECIFICATIONS

Code	Description	Pack/Pallet
WALKY1024KCE	Kit for swing gates with leaves up to 1.8 m, 24 Vdc, surface mounted	18

N.B. The content of the package may vary: consult the retailer.

Code	WL1024C
ELECTRICAL DATA	
Power supply (Vac 50/60 Hz)	230
Absorption (A)	0.8
Power (W)	120
PERFORMANCE DATA	
Speed (rpm)	1.5 - 2.2
Torque (Nm)	120
Work cycle (cycles/hour)	50
DIMENSIONAL AND GENERAL DATA	
Protection level (IP)	44
Working temp. (°C Min/Max)	-20 ÷ +50
Dimensions (mm)	90x125x385 h
Weight (kg)	4.8

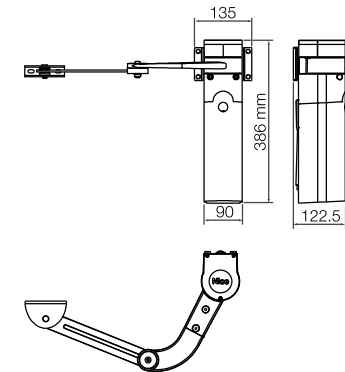
UTILISATION LIMITS



A Entire arm - **B** Reduced arm

The shape, the height of the gate and the weather conditions can considerably reduce the values shown in the graph to the side.

DIMENSIONS



Walkykit 2024

For swing gates with leaves up to 1.8 m



Especially suited to gates in wood or PVC.

Irreversible electromechanical gear motor at 24 Vdc, with articulated arm.

Ultra compact: ideal for pedestrian gates, recommended for small posts (width 8 cm).

Safe: thanks to the irreversible motor and anti-shear arm with built-in mechanical stop on closure (with installation of entire arm).

Practical: the articulated arm enables installation in specific conditions, such as in the presence of small walls or obstacles adjacent to the post.

Quick: no waiting in front of the gate, just 7 seconds to open or close (in optimal installation conditions, with reduced arm and 90° opening).

Convenient: incorporable flashing Led indicator, with courtesy light function (WLT, optional); rapid motor release for manual movement of the gate.

Built-in control unit:

- simple programming;
- automatic memorization of limit switches on opening and closing with self-learning function;
- automatic fault diagnostics;
- programming of pause time;
- pedestrian pass door;
- deceleration on opening and closing;
- provision for connection of latest generation resistive sensitive edges.

No black out: with the optional batteries (PS424) housed inside the gear motor.

The Era Gate accessories, with a minimal, modern and discreet design, renovate Nice kits' style and performance. Discover the complete range at page 101.

The kit contains:

WL1024C + WL1024

2 Electromechanical gear motors, surface mounted WL1024C (with control unit and OXI plug-in receiver), WL1024 (without control unit).



ON2E

1 Transmitter 433.92 MHz, 2 channels.



EPMB

1 Couple of external photocells designed for connection by Nice BlueBUS.



EKS

1 Key selector switch for outdoor installation.



WLT

1 Flashing light.



TS

1 Signboard.



COMMON ACCESSORIES



IT4WIFI
Smart Wi-fi interface to manage gates and garage doors by smartphone. (Not compatible with the Solemyo kit and PS324)

Pc./Pack 1



WLA1
Spare control unit, for WL1024C.

Pc./Pack 1



PS424
Buffer battery.

Pc./Pack 1



PLA10
Vertical 12 V electric lock.

Pc./Pack 1



PLA11
Horizontal 12 V electric lock.

Pc./Pack 1



WLT
Multi-function LED indicator. See page 211.

Pc./Pack 1



SOLEMYO KIT
The solar power to automate gates, garage doors or barrier gates.

See page 128.

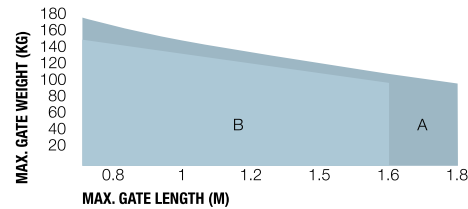
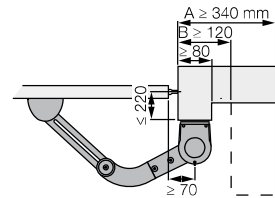
TECHNICAL SPECIFICATIONS

Code	Description	Pack/Pallet
WALKY2024KCE	Kit for swing gates with leaves up to 1.8 m, 24 Vdc, with articulated arm, surface mounted	18

N.B. The content of the package may vary: consult the retailer.

Code	WL1024C	WL1024
ELECTRICAL DATA		
Power supply (Vac 50/60 Hz)	230	-
Power supply (Vdc)	-	24
Absorption (A)	0.8	2
Power (W)	120	30
PERFORMANCE DATA		
Speed (rpm)	1.5 - 2.2	
Torque (Nm)	120	
Work cycle (cycles/hour)	50	
DIMENSIONAL AND GENERAL DATA		
Protection level (IP)	44	
Working temp. (°C Min/Max)	-20 ÷ +50	
Dimensions (mm)	90x125x385 h	
Weight (kg)	4.8	4.3

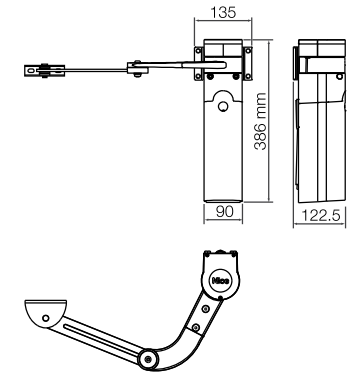
UTILISATION LIMITS



A Entire arm - **B** Reduced arm

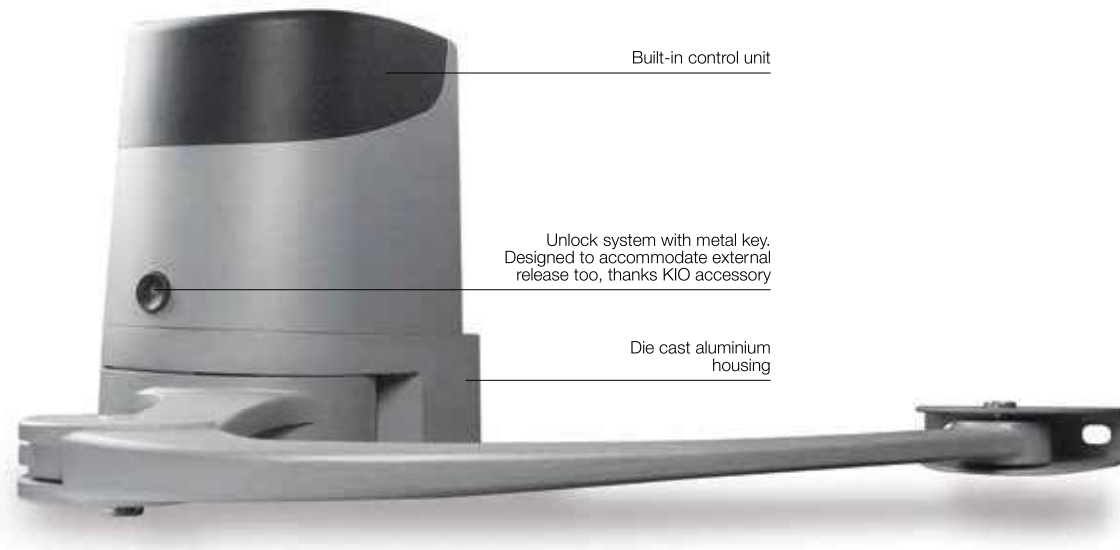
The shape, the height of the gate and the weather conditions can considerably reduce the values shown in the graph to the side.

DIMENSIONS



Hopp

For swing gates with leaves up to 2.4 m, ideal for large columns



Built-in control unit

Unlock system with metal key.
Designed to accommodate external release too, thanks KIO accessory

Die cast aluminium housing

Ideal for intensive use.

Irreversible electromechanical 24 Vdc gear motor with articulated arm, surface mounted.

Two irreversible 24 Vdc versions with micrometric adjustment mechanical stops on opening and closing: with built-in control unit (HO7124) and without control unit (HO7224).

Powerful thanks to the 250 Nm torque.

Resistant and compact: 180 mm in width, ideal for any kind of post. Small shockproof body with aluminium base.

Oz Kit

- Oz Kit 1**
- motor x 1
 - receiver x 1
 - two channel remote x 2
- Oz Kit 2**
- motor x 2
 - receiver x 1
 - two channel remote x 2

Sturdy, aluminium anti-shearing arm.

Easy to install: thanks to the new fixing bracket with quick connector for the motor. No welding.

Sophisticated electronics with the built-in control unit, use 3 keys to manage all programming operations:

- obstacle detection and possibility of connecting to 8.2 KOhm sensitive edge, fototest;
- automatic fault diagnostics;;
- automatic memorization of limit switches on opening and closing with self-learning function;
- possibility of configuring the stop input in self-learning mode, NO, NC and the latest generation 8.2 KOhm resistive sensitive edges;
- deceleration on opening and closing;
- simple connection of pairs of additional photocells, foto2;
- programming of pause time;
- pedestrian open and partial open;
- clutch with anti-crush safety feature.

Energy saving with no black outs: 3 standby modes to reduce mains consumption, or battery power consumption if connected to the Solemyo kit. Operation in the event of a power failure thanks to the optional batteries (PS124).

Everything under control: thanks to compatibility for operation with Opera BUS T4, the unit O-Viewcan be used to expand the options of programming, control and diagnostics of the automation on site and remotely.

COMMON ACCESSORIES



IT4WIFI
Smart Wi-fi interface to manage gates and garage doors by smartphone. (Not compatible with the Solemyo kit and PS324)

Pc./Pack 1



POA3
Spare control unit for HO7124,

Pc./Pack 1



PS124
24 V battery with integrated battery charger.

Pc./Pack 1



PLA10
Vertical 12 V electric lock.

Pc./Pack 1



PLA11
Horizontal 12 V electric lock.

Pc./Pack 1



KIO
Key-operated selector switch for low voltage contacts, with release mechanism for metal cord.

Pc./Pack 1



KA1
6 m cable release kit for KIO.

Pc./Pack 1



TS
Signboard.

Pc./Pack 1



SOLEMYO KIT
The solar power to automate gates, garage doors or barrier gates.

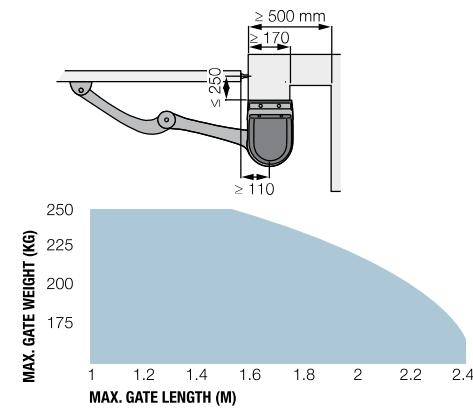
See page 128.

TECHNICAL SPECIFICATIONS

Code	Description	Pack/Pallet
HO7124	Irreversible 24 Vdc, complete with articulated arm and built-in control unit	12
HO7224	Irreversible 24 Vdc, complete with articulated arm without control unit	12

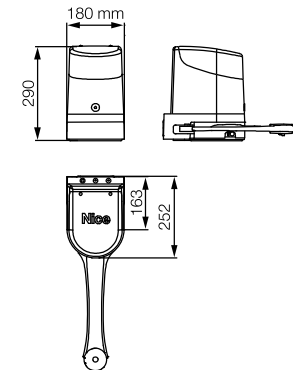
Code	HO7124	HO7224
ELECTRICAL DATA		
Power supply (Vac 50/60 Hz)	230	-
Power supply (Vdc)	-	24
Absorption (A)	1.3	4
Power (W)	280	100
PERFORMANCE DATA		
Speed (rpm)		1.68
Torque (Nm)		250
Work cycle (cycles/hour)		35
DIMENSIONAL AND GENERAL DATA		
Protection level (IP)		54
Working temp. (°C Min/Max)		-20 ÷ +50
Dimensions (mm)		252x180x290 h
Weight (kg)	9	6.5

UTILISATION LIMITS



The shape, the height of the gate and the weather conditions can considerably reduce the values shown in the graph to the side.

DIMENSIONS



COMPATIBILITY TABLE WITH CONTROL SYSTEMS AND ACCESSORIES

Code	receiver		transmitter					photocells						flashing light						
	Built-in*	OXI	ERA INTI	ERA ONE	ERA FLOR	NICEWAY	EPS	EPM	EPL	EPFB	EPMB	EPLB	EPWOW	F210	FT210	F210B	FT210B	ELAC	ELDC	WLT
HO7124		•	•	•	•	•					•	•	•			•			•	•

* Radio receiver incompatible with Opera system

Hyke HS

For hi-speed automation of swing gates with leaves up to 3 m or 270 Kg

Ideal for residential applications even with large columns.

24 Vdc electromechanical gear motor with articulated arm, surface mounted, with magnetic encoder.

Ideal for intensive use and quick manoeuvres: 90° opening in about 10* seconds.

Oz Kit

- Oz Kit 1**
- motor x 1
 - receiver x 1
 - two channel remote x 2
- Oz Kit 2**
- motor x 2
 - receiver x 1
 - two channel remote x 2

Ultra-powerful and reliable: thanks to the torque of 500 Nm and encoder technology, for millimetric precision and reliability.

Safe movement: dual technology obstacle detection.

Sturdy: thanks to the housing in aluminium with polyester paint finish, resistant to atmospheric agents.

Two irreversible 24 Vdc versions with limit switches on opening and closing: with built-in control unit (HK70240) and without control unit (HK7224).

Practical and quick installation: the articulated arm is adjustable in length for maximum flexibility.

Simple and precise limit switch adjustment: mechanical stops and micrometric adjustment screws.

No black out: with the optional batteries (PS124) housed inside the gear motor.

Built-in control unit (HK7024):

- simple programming, by means of a single key;
- automatic memorization of limit switches on opening and closing with self-learning function;
- automatic fault diagnostics;
- programming of pause time;
- pedestrian pass door;
- deceleration on opening and closing;
- obstacle detection with dual technology;
- provision for connection of latest generation resistive sensitive edges.

* Considering standard installation, excluding acceleration and deceleration.



COMMON ACCESSORIES



IT4WIFI
Smart Wi-fi interface to manage gates and garage doors by smartphone. (Not compatible with the Solemyo kit and PS324)

Pc./Pack 1



HKA2
Spare control unit for HK7024HS,

Pc./Pack 1



PS124
24 V battery with integrated battery charger.

Pc./Pack 1



PLA10
Vertical 12 V electric lock.

Pc./Pack 1



PLA11
Horizontal 12 V electric lock.

Pc./Pack 1



KIO
Key-operated selector switch for low voltage contacts, with release mechanism for metal cord.

Pc./Pack 1



KA1
6 m cable release kit for KIO.

Pc./Pack 1



TS
Signboard.

Pc./Pack 1



SOLEMYO KIT
The solar power to automate gates, garage doors or barrier gates.

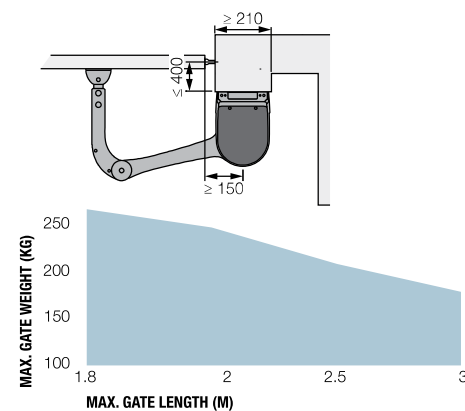
See page 128.

TECHNICAL SPECIFICATIONS

Code	Description	Pack/Pallet
HK7024HS	Irreversible 24 Vdc, fast, with magnetic encoder, complete with articulated arm and built-in control unit	12
HK7224HS	Irreversible 24 Vdc, fast, complete with articulated arm without control unit	12

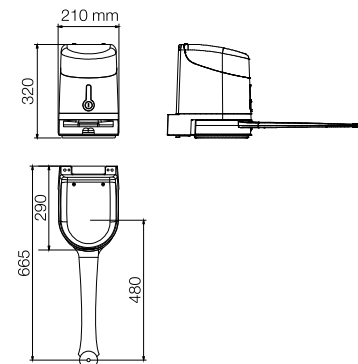
Code	HK7024HS	HK7224HS
ELECTRICAL DATA		
Power supply (Vac 50/60 Hz)	230	-
Power supply (Vdc)	-	24
Absorption (A)	1.5	6
Power (W)	300	140
PERFORMANCE DATA		
Speed (rpm)	>> 2 <<	
Torque (Nm)	500	
Work cycle (cycles/hour)	40	
DIMENSIONAL AND GENERAL DATA		
Protection level (IP)	54	
Working temp. (°C Min/Max)	-20 ÷ +50	
Dimensions (mm)	290x210x320 h	
Weight (kg)	10.5	9.5

UTILISATION LIMITS



The shape, the height of the gate and the weather conditions can considerably reduce the values shown in the graph to the side.

DIMENSIONS



COMPATIBILITY TABLE WITH CONTROL SYSTEMS AND ACCESSORIES

Code	receiver		transmitter						photocells				flashing light							
	Built-in*	OXI	ERA INTI	ERA ONE	ERA FLOR	NICEWAY	EPS	EPM	EPL	EPFB	EPMB	EPLB	EPWOW	F210	F210	F210B	F210B	ELAC	ELDC	WLT
HK7024HS		•	•	•	•	•				•	•	•	•			•			•	•

* Radio receiver incompatible with Opera system

S-Fab

For swing gates with leaves up to 2.3 m, underground installation, ultra compact



Foundation box with cataphoresis paint finish

Waterproof, with IP67 protection rating

Irreversible electromechanical 24 Vdc gear motor, ideal for intensive use

Sturdy and discreet: compact foundation box with a height of only 81 mm.

Steel with cataphoresis paint finish guarantees optimal resistance to corrosion, and thickness of 2.5 mm guarantees strength. All this in just 52 mm of protrusion from the ground.

Practical and quick installation: thanks to the exit lever on the gear motor attached directly on the leaf.

Opening up to 180° as standard.

Oz Kit

- Oz Kit 1**
- motor x 1
 - control unit x 1
 - receiver x 1
 - two channel remote x 2
- Oz Kit 2**
- motor x 2
 - control unit x 1
 - receiver x 1
 - two channel remote x 2

Reliable and sturdy: the gear motor, in IP67 pressure die cast aluminium, suspended inside the housing to enable drainage of any deposits, ensures optimal water resistance.

Load-bearing foundation box with adjustable mechanical stops on opening and closing: the gear motor can also be installed later as required.

Practical release easy to operate from inside and outside, acting directly on the gear motor, easy to operate by means of the special key.

SFAB2024, compatible with the control unit Moonclever MC424L, and for operation with Solemyo and Opera systems:

- built-in radio receiver;
- simple programming, by means of a single key;
- automatic memorization of limit switches on opening and closing with self-learning function;
- programming of pause time;
- pedestrian pass door;
- deceleration on opening and closing;
- obstacle detection system;
- provision for connection of latest generation resistive sensitive edges;
- operation in event of power failure by means of optional rechargeable batteries (PS124) with compartment in control unit.

SFAB2124 with magnetic encoder, compatible with control unit Moonclever MC824H, with BlueBUS technology, and compatible for operation with Solemyo and Opera systems:

- simple programming, by means of a single key;
- automatic memorization of limit switches on opening and closing with self-learning function;
- automatic fault diagnostics;
- with output for courtesy light and maintenance indicator;
- speed settings on 5 levels;
- separate and configurable inputs for Step by Step, Open and Close;
- programming of pause time;
- pedestrian pass door;
- deceleration on opening and closing;
- obstacle detection with dual technology;
- provision for connection of latest generation resistive sensitive edges;
- operation in event of power failure by means of optional rechargeable batteries (PS324).

COMMON ACCESSORIES



IBT4N
Interface for connecting the O-View programming unit.

Pc./Pack 1



IT4WIFI
Smart Wi-fi interface to manage gates and garage doors by smartphone. (Not compatible with the Solemyo kit and PS324)

Pc./Pack 1



PS124
24 V battery with integrated battery charger.

Pc./Pack 1



PS324
24 V battery with integrated battery charger.

Pc./Pack 1



PLA10
Vertical 12 V electric lock.

Pc./Pack 1



PLA11
Horizontal 12 V electric lock.

Pc./Pack 1



TS
Signboard.

Pc./Pack 1



SOLEMYO KIT
The solar power to automate gates, garage doors or barrier gates.

See page 128.

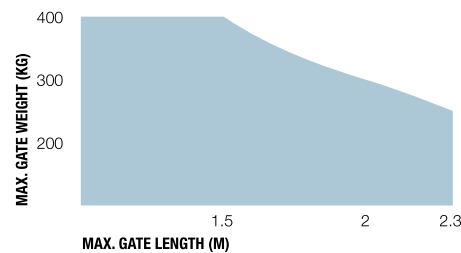
TECHNICAL SPECIFICATIONS

Code	Description	Pack/Pallet
SFAB2024	Irreversible, 24 Vdc	18
SFAB2124	Irreversible 24 Vdc version with magnetic encoder	18
SFABBOX	Externally foundation box, with cathaphoresis paint finish. Complete with leaf coupling lever and mechanical stops on opening and closing	18

Code	SFAB2024	SFAB2124
ELECTRICAL DATA		
Power supply (Vdc)	24	
Absorption (A)	5	
Power (W)	120	
PERFORMANCE DATA		
Speed (rpm)	1.25	
Torque (Nm)	250	
Work cycle (cycles/hour)*	60	
DIMENSIONAL AND GENERAL DATA		
Protection level (IP)	67	
Working temp. (°C Min/Max)	-20 ÷ +50	
Dimensions (mm)	235x206x96.5 h	
Weight (kg)	6	

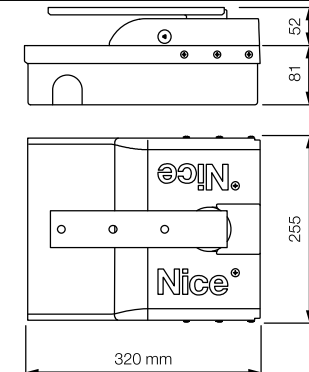
* The indicated value has to be halved if the opening is up to 180°

UTILISATION LIMITS



The shape, the height of the gate and the weather conditions can considerably reduce the values shown in the graph to the side.

DIMENSIONS



COMPATIBILITY TABLE WITH CONTROL SYSTEMS AND ACCESSORIES

Code	control unit/receiver						transmitter				photocells				flashing light										
	MC200 / Built-in*	MC800 / OXI	DPR0500 / OXI-SMXY*	A924 / FLOX12R*	MC424L / Built-in*	MC824H / OXI	MC824HR / OXI	ERA INTI	ERA ONE	ERA FLOR	NICEWAY	EPS	EPM	EPL	EPSB	EPMB	EPLB	EPMOW	F210	FT210	F210B	FT210B	ELAC	ELDC	WLT
SFAB2024					•		•	•	•	•	•	•	•	•	•	•	•	•	•				•		
SFAB2124					•		•	•	•	•	•	•	•	•	•	•	•	•	•				•		•

* Radio receiver incompatible with Opera system

M-Fab

For swing gates with leaves up to 3 m, underground installation

Irreversible electromechanical gear motor, also available in 24 Vdc versions with magnetic encoder.

3 types of electromechanical gear motors M-Fab.

Foundation boxes externally chamfered, Fab Box, with mechanical stop on opening:

- **in stainless steel** (MFABBOXI), ideal for use in extreme conditions;
- **with the cataphoresis paint finish** (MFABBOX), highly resistant to corrosion.

Reliable and resistant: motors made up of solid internal parts in metal. New IP67 waterproof die cast aluminium.

Total freedom of choice: release from inside and outside, two key-operated models or freely compatible lever version and easily activated with just one hand.

Simple to use: mechanical stop system on closure. Standard opening max. 110°, optional opening 360°.

[bTotally compatible[bb] with the previous Metro series.

Recommended control units: Moonclever MC800 for MFAB3000 and MFAB3000L; Moonclever MC824H for MFAB3024.

24 Vdc version with magnetic encoder.

Perfect for intensive use, compatible with the control unit Moonclever MC824H:

- simple programming, by means of a single key;
- automatic memorization of limit switches on opening and closing with self-learning function;
- automatic fault diagnostics;
- programming of pause time;
- pedestrian pass door;
- deceleration on opening and closing;
- obstacle detection with dual technology;
- operation in event of power failure by means of optional rechargeable batteries (PS324);
- provision for connection of latest generation resistive sensitive edges.

Oz Kit

- Oz Kit 1**
- motor x 1
 - control unit x 1
 - receiver x 1
 - two channel remote x 2

- Oz Kit 2**
- motor x 2
 - control unit x 1
 - receiver x 1
 - two channel remote x 2

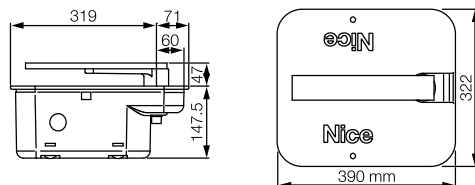
Even more reliable and resistant



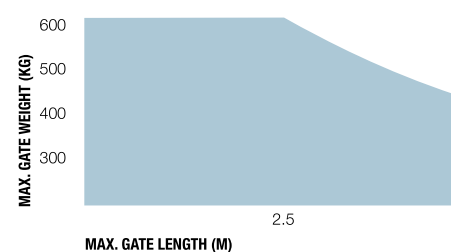
Waterproof, with IP67 protection rating

Externally chamfered FAB BOX

DIMENSIONS



UTILISATION LIMITS



The shape, the height of the gate and the weather conditions can considerably reduce the values shown in the graph to the side.

Use in windy areas 230 Vac models.

COMMON ACCESSORIES



IBT4N

Interface for connecting the O-View programming unit.

Pc./Pack 1



IT4WIFI

Smart Wi-fi interface to manage gates and garage doors by smartphone. (Not compatible with the Solemyo kit and PS324)

Pc./Pack 1



PS324

24 V battery with integrated battery charger.

Pc./Pack 1



MEA2

Key unlock system.

Pc./Pack 1



MEA3

Lever-type key unlock system to use when system is installed on surfaces such as sand or earth.

Pc./Pack 1



MEA5

Lever-type unlock key.

Pc./Pack 4



MEA6

Limit switch bracket, for installations where box embedding in concrete is not possible.

Pc./Pack 4



MEA1

Accessory for opening up to 360° for gates max. 2.5 m in length.

Pc./Pack 4



PLA10

Vertical 12 V electric lock.

Pc./Pack 1



PLA11

Horizontal 12 V electric lock.

Pc./Pack 1



TS

Signboard.

Pc./Pack 1



SOLEMYO KIT

The solar power to automate gates, garage doors or barrier gates.

See page 128.

TECHNICAL SPECIFICATIONS

Code	Description	Pack/Pallet
MFAB3024	Irreversible, 24 Vdc, with magnetic encoder, complete with connecting lever and mechanical stop for the closing manoeuvre	18
MFAB3000	Irreversible, 230 Vac, increased speed, grease lubrication, complete with connecting lever and mechanical stop for the closing manoeuvre	18
MFAB3000L	Irreversible, 230 Vac, cruising speed, grease lubrication, complete with connecting lever and mechanical stop for the closing manoeuvre	18

Code	Description	Pack/Pallet
MFABBOXI	Externally chamfered foundation box in stainless steel with mechanical stop on opening	20
MFABBOX	Externally chamfered foundation box with cathodrophoresis finish with mechanical stop on opening	20

Note: key release mechanism, freely compatible with selection of models MEA2 and MEA3 motor.

Code	MFAB3024	MFAB3000	MFAB3000L
ELECTRICAL DATA			
Power supply (Vac 50 Hz)*	-	-	230
Power supply (Vdc)	24	-	-
Absorption (A)	5	1.2	1.3
Power (W)	120	250	300
PERFORMANCE DATA			
Speed (rpm)	1.4	1.14	0.8
Torque (Nm)	250	300	250
Work cycle (cycles/hour)**	76	30	20
DIMENSIONAL AND GENERAL DATA			
Protection level (IP)	-	67	-
Working temp. (°C Min/Max)	-	-20 ÷ +50	-
Dimensions (mm)	-	390x322x194.5 h	-
Weight (kg)	-	11	-

* 60 Hz version available on request. **The indicated value has to be halved if the opening is up to 180°.

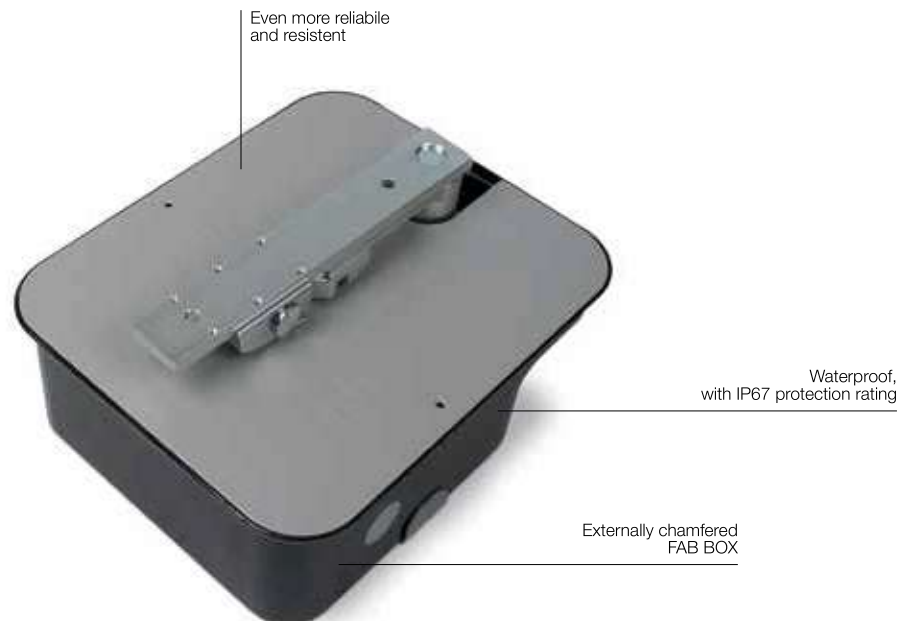
COMPATIBILITY TABLE WITH CONTROL SYSTEMS AND ACCESSORIES

Code	control unit/receiver						transmitter				photocells								flashing light						
	MC200 / Built-in*	MC800 / OXI	DPR0500 / OXI-SMXI*	A924 / FLOX12R*	MC424L / Built-in*	MC824H / OXI	MC824HR / OXI	ERA INTI	ERA ONE	ERA FLOR	NICEWAY	EPS	EPM	EPL	EP5B	EPMB	EPLB	EPMOV	F210	FT210	F210B	FT210B	ELAC	ELDC	WLT
MFAB3024						•	•	•	•	•					•	•	•	•							
MFAB3000		•					•	•	•	•	•	•	•						•	•			•	•	
MFAB3000L		•					•	•	•	•	•	•	•						•	•			•	•	

* Radio receiver incompatible with Opera system

M-Fab HS

For hi-speed automation of swing gates with leaves up to 3 m or 300 Kg



Even more reliable
and resistant

Waterproof,
with IP67 protection rating

Externally chamfered
FAB BOX

Underground installation, ideal for residential applications.

24 Vdc electromechanical gear motor, with magnetic encoder.

Ideal for intensive use and quick manoeuvres: 90° opening in about 8* seconds.

Oz Kit

- Oz Kit 1**
- motor x 1
 - control unit x 1
 - receiver x 1
 - two channel remote x 2

- Oz Kit 2**
- motor x 2
 - control unit x 1
 - receiver x 1
 - two channel remote x 2

Foundation boxes externally chamfered, Fab Box with mechanical stop on opening:

- **in stainless steel** (MFABBOXI), ideal for use in extreme conditions;
- **with the cataphoresis paint finish** (MFABBOX), highly resistant to corrosion.

Reliable and resistant: motors made up of solid internal parts in metal. New IP67 waterproof die cast aluminium.

Total freedom of choice: release from inside and outside, two key-operated models or freely compatible lever version and easily activated with just one hand.

Simple installation: mechanical stop system on closure. Standard opening max. 110°, optional opening 360°.

Totally compatible with the previous Metro series.

Moonclever MC824H control unit:

- simple programming, by means of a single key;
- automatic memorization of limit switches on opening and closing with self-learning function;
- automatic fault diagnostics;
- programming of pause time;
- pedestrian pass door;
- deceleration on opening and closing;
- obstacle detection with dual technology;
- operation in event of power failure by means of optional rechargeable batteries (PS324);
- provision for connection of latest generation resistive sensitive edges.

* Considering standard installation, excluding acceleration and deceleration.

COMMON ACCESSORIES



IT4WIFI
Smart Wi-fi interface to manage gates and garage doors by smartphone. (Not compatible with the Solemyo kit and PS324)

Pc./Pack 1



PS324
24 V battery with integrated battery charger.

Pc./Pack 1



MEA2
Key unlock system.

Pc./Pack 1



MEA3
Lever-type key unlock system to use when system is installed on surfaces such as sand or earth.

Pc./Pack 1



MEA5
Lever-type unlock key.

Pc./Pack 4



MEA6
Limit switch bracket, for installations where box embedding in concrete is not possible.

Pc./Pack 4



MEA1
Accessory for opening up to 360° for gates max. 2.5 m in length.

Pc./Pack 4



PLA10
Vertical 12 V electric lock.

Pc./Pack 1



PLA11
Horizontal 12 V electric lock.

Pc./Pack 1



TS
Signboard.

Pc./Pack 1



SOLEMYO KIT
The solar power to automate gates, garage doors or barrier gates.

See page 128.

TECHNICAL SPECIFICATIONS

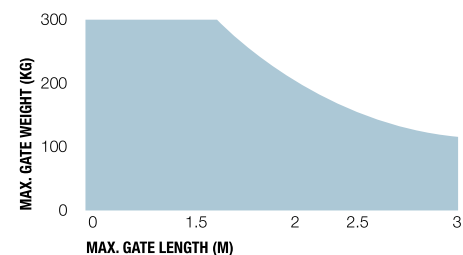
Code	Description	Pack/Pallet
MFAB3024HS	Irreversible 24 Vdc, fast, with magnetic encoder, complete with connecting lever and mechanical stop for the closing manoeuvre	18

Code	Description	Pack/Pallet
MFABBOXI	Externally chamfered foundation box in stainless steel with mechanical stop on opening	20
MFABBOX	Externally chamfered foundation box with cataphoresis finish with mechanical stop on opening	20

Note: key release mechanism, freely compatible with selection of models MEA2 and MEA3 motor.

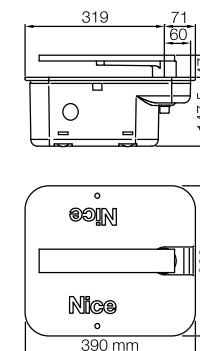
Code	MFAB3024HS
ELECTRICAL DATA	
Power supply (Vdc)	24
Absorption (A)	6
Power (W)	170
PERFORMANCE DATA	
Speed (rpm)	>> 2.6 <<
Torque (Nm)	180
Work cycle (cycles/hour)	80
DIMENSIONAL AND GENERAL DATA	
Protection level (IP)	67
Working temp. (°C Min/Max)	-20 ÷ +50
Dimensions (mm)	390x322x194 h
Weight (kg)	11

UTILISATION LIMITS



The shape, the height of the gate and the weather conditions can considerably reduce the values shown in the graph to the side.

DIMENSIONS



COMPATIBILITY TABLE WITH CONTROL SYSTEMS AND ACCESSORIES

Code	control unit/receiver					transmitter				photocells						flashing light									
	MC200 / Built-in*	MC800 / OXI	DPRO500 / OXI-SMXYI*	A924 / FLOX12R*	MC424L / Built-in*	• MC824H / OXI	MC824HR / OXI	ERA INTI	ERA ONE	ERA FLOR	NICEWAY	EPS	EPM	EPL	• EPSB	• EPMB	• EPLB	• EPMOW	F210	FT210	• F210B	FT210B	ELAC	• ELDC	• WLT
MFAB3024HS						•		•	•	•					•	•	•	•						•	•

* Radio receiver incompatible with Opera system

L-Fab

For swing gates with leaves up to 4 m, underground installation

Irreversible electromechanical gear motor, also available in 24 Vdc versions with magnetic encoder and mechanical stop.

Foundation boxes with mechanical stop on opening:

- in **stainless steel** (LFABBOX4I), ideal for use in extreme conditions;
- with the **cataphoresis paint finish** (LFABBOX4), highly resistant to corrosion.

Total freedom of choice: release from inside and outside, two key-operated models or freely compatible lever version and easily activated with just one hand.

Simple installation: built-in mechanical stop system on closure. Standard opening max. 110°, optional opening 360°.

Ideal for intensive use, LFAB4024 model is compatible with the control unit Moonclever MC824H, with BlueBUS technology, Solemyo and Opera systems:

- simple programming, by means of a single key;
- automatic memorization of limit switches on opening and closing with self-learning function;
- automatic fault diagnostics;
- programming of pause time;
- pedestrian pass door;
- deceleration on opening and closing;
- obstacle detection with dual technology;
- operation in event of power failure by means of optional rechargeable batteries (PS324);
- provision for connection of latest generation resistive sensitive edges.

LFAB4000 model is compatible with the control unit Moonclever MC800.

Oz Kit

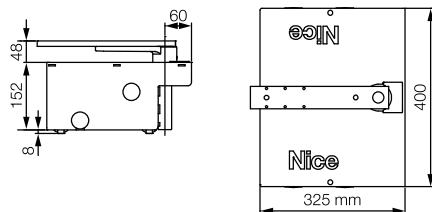
- Oz Kit 1**
- motor x 1
 - control unit x 1
 - receiver x 1
 - two channel remote x 2
- Oz Kit 2**
- motor x 2
 - control unit x 1
 - receiver x 1
 - two channel remote x 2

Reliability and resistance

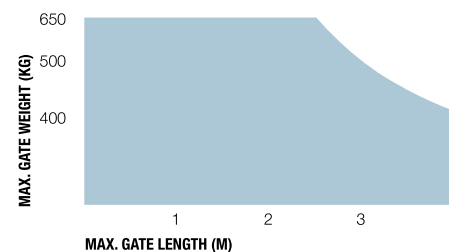


Waterproof, with IP67 protection rating

DIMENSIONS



UTILISATION LIMITS



The shape, the height of the gate and the weather conditions can considerably reduce the values shown in the graph to the side. Use in windy areas 230 Vac models.

COMMON ACCESSORIES



IBT4N
Interface for connecting the O-View programming unit.

Pc./Pack 1



IT4WIFI
Smart Wi-fi interface to manage gates and garage doors by smartphone. (Not compatible with the Solemyo kit and PS324)

Pc./Pack 1



BMA3
Lever-type key unlock system.

Pc./Pack 1



MEA5
Lever-type unlock key.

Pc./Pack 4



BMA1
Accessory for opening up to 360° for gates max. 3.5 m in length.

Pc./Pack 1



BMA2
Adaptors for a dual motor automation, compatible with the majority of foundation boxes on the market.

Pc./Pack 4



PLA10
Vertical 12 V electric lock (required for gates longer than 3 m).

Pc./Pack 1



PLA11
Horizontal 12 V electric lock (required for gates longer than 3 m).

Pc./Pack 1

ACCESSORY FOR 24 V VERSION



TS
Signboard.

Pc./Pack 1



PS324
24 V battery with integrated battery charger.

Pc./Pack 1



SOLEMYO KIT
The solar power to automate gates, garage doors or barrier gates.

See page 128.

TECHNICAL SPECIFICATIONS

Code	Description	Pack/Pallet
LFAB4000	Irreversible, 24 Vdc, with mechanical stop on closing	18
LFAB4024	Irreversible, 24 Vdc, with magnetic encoder, with mechanical stop on closing	18

Code	Description	Pack/Pallet
LFABBOX4	Electrophoretic painted foundation box with mechanical limit switch in opening. Complete with leaf attachment lever	18
LFABBOX4I	Stainless steel foundation box with mechanical limit switch in opening. Complete with leaf attachment lever	18

Note: key release mechanism, freely compatible with selection of models MEA2 and MEA3 motor.

Code	LFAB4024	LFAB4000
ELECTRICAL DATA		
Power supply (Vac 50 Hz)*	-	230
Power supply (Vdc)	24	-
Absorption (A)	5	1.5
Power (W)	120	340
PERFORMANCE DATA		
Speed (rpm)	1	0.8
Torque (Nm)	300	500
Work cycle (cycles/hour)**	60	20
DIMENSIONAL AND GENERAL DATA		
Protection level (IP)	67	
Working temp. (°C Min/Max)	-20 ÷ +50	
Dimensions (mm)	400x325x152 h	
Weight (kg)	12.5	14.3

* With foundation box. ** The indicated value has to be halved if the opening is up to 180° - by using the BMA1 accessory.

Foundation boxes	LFABBOX4
Weight (kg)	14.4

COMPATIBILITY TABLE WITH CONTROL SYSTEMS AND ACCESSORIES

Code	control unit/receiver						transmitter				photocells						flashing light								
	MC200 / Built-in*	MC800 / OXI	DPRO500 / OXI-SMAXI*	A924 / FLOX12R*	MC424L / Built-in*	MC824H / OXI	MC824HR / OXI	ERA INTI	ERA ONE	ERA FLOR	NICEWAY	EPS	EPM	EPL	EPSB	EPMB	EPLB	EPMOW	F210	FT210	F210B	FT210B	ELAC	ELDC	WLT
LFAB4000		•					•	•	•	•	•	•	•		•	•	•		•	•			•		
LFAB4024					•		•	•	•	•				•	•	•	•				•		•	•	•

* Radio receiver incompatible with Opera system

Big-Fab

For swing gates with leaves up to 5 m, underground installation

Irreversible electromechanical gear motor, 24 Vdc with magnetic encoder and mechanical stop.

Foundation boxes with mechanical stop on opening:

- **in stainless steel** (BFABBOXI), ideal for use in extreme conditions;
- **with the cataphoresis paint finish** (BFABBOX), highly resistant to corrosion.

Total freedom of choice: release from inside and outside, two key-operated models or freely compatible lever version and easily activated with just one hand.

Simple to use: built-in mechanical stop system on closure. Standard opening max. 110°, optional opening 360°.

Ideal for intensive use, compatible with the control unit Moonclever MC824H:

- simple programming, by means of a single key;
- automatic memorization of limit switches on opening and closing with self-learning function;
- automatic fault diagnostics;
- programming of pause time;
- pedestrian pass door;
- deceleration on opening and closing;
- obstacle detection with dual technology;
- operation in event of power failure by means of optional rechargeable batteries (PS324);
- provision for connection of latest generation resistive sensitive edges.

Oz Kit

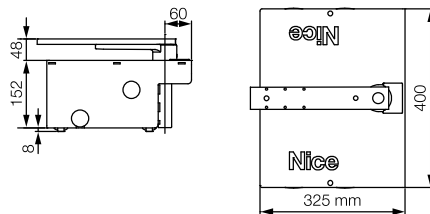
- Oz Kit 1**
- motor x 1
 - control unit x 1
 - receiver x 1
 - two channel remote x 2
- Oz Kit 2**
- motor x 2
 - control unit x 1
 - receiver x 1
 - two channel remote x 2

Even more reliable and resistant

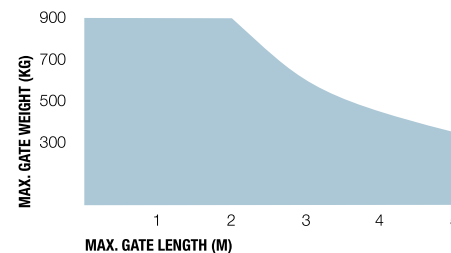


Waterproof, with IP67 protection rating

DIMENSIONS



UTILISATION LIMITS



The shape, the height of the gate and the weather conditions can considerably reduce the values shown in the graph to the side.

COMMON ACCESSORIES



IBT4N
Interface for connecting the O-View programming unit.

Pc./Pack 1



IT4WIFI
Smart Wi-fi interface to manage gates and garage doors by smartphone. (Not compatible with the Solemyo kit and PS324)

Pc./Pack 1



PS324
24 V battery with integrated battery charger.

Pc./Pack 1



BMA3
Lever-type key unlock system.

Pc./Pack 1



MEAS
Lever-type unlock key.

Pc./Pack 4



BMA1
Accessory for opening up to 360° for gates max. 3.5 m in length.

Pc./Pack 1



BMA2
Adaptors for a dual motor automation, compatible with the majority of foundation boxes on the market.

Pc./Pack 4



PLA10
Vertical 12 V electric lock (required for gates longer than 3 m).

Pc./Pack 1



PLA11
Horizontal 12 V electric lock (required for gates longer than 3 m).

Pc./Pack 1



TS
Signboard.

Pc./Pack 1



SOLEMYO KIT
The solar power to automate gates, garage doors or barrier gates.

See page 128.

TECHNICAL SPECIFICATIONS

Code	Description	Pack/Pallet
BFAB5024	Irreversible, 24 Vdc, with magnetic encoder, with mechanical stop on closing	18
Code	Description	Pack/Pallet
BFABBOX	Foundation box, with cataphoresis paint finish, with built-in mechanical stop on opening	18
BFABBOXI	Stainless steel foundation box, with built-in mechanical stop on opening	18

Note: key release mechanism, freely compatible with selection of models MEA2 and MEA3 motor.

Code	BFAB5024
ELECTRICAL DATA	
Power supply (Vdc)	24
Absorption (A)	7
Power (W)	170
PERFORMANCE DATA	
Speed (rpm)	0.8
Torque (Nm)	400
Work cycle (cycles/hour)**	45
DIMENSIONAL AND GENERAL DATA	
Protection level (IP)	67
Working temp. (°C Min/Max)	-20 ÷ +50
Dimensions (mm)*	400x325x152 h
Weight (kg)	13.3

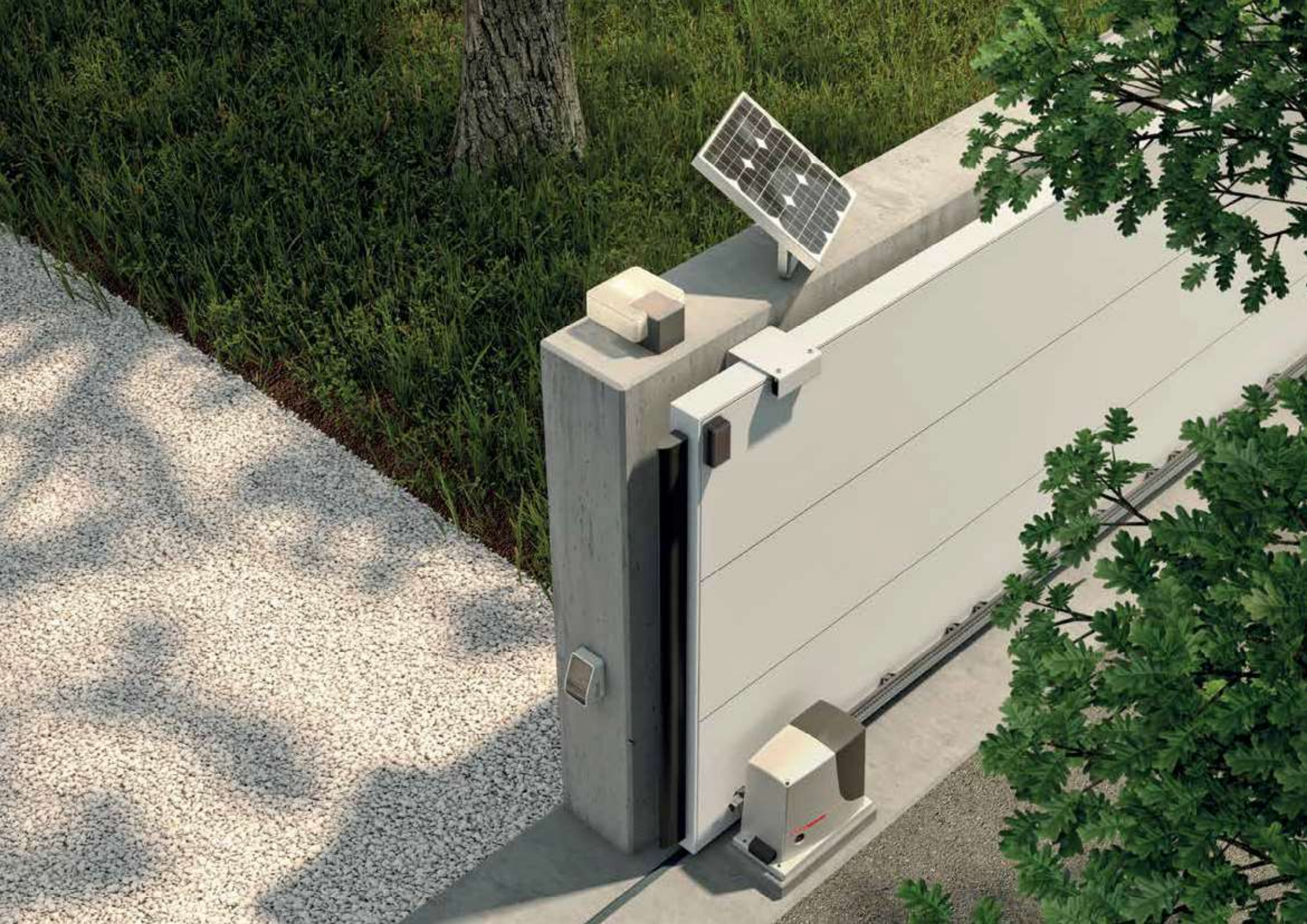
* With foundation box. ** The indicated value has to be halved if the opening is up to 180° - by using the BMA1 accessory.

Foundation boxes	BFABBOX
Weight (kg)	20.3

COMPATIBILITY TABLE WITH CONTROL SYSTEMS AND ACCESSORIES

Code	control unit/receiver						transmitter				photocells								flashing light						
	MC200 / Built-in*	MC800 / OXI	DPRO500 / OXI-SMIXI*	A924 / FLOX12R*	MC424L / Built-in*	MC824H / OXI	MC824HR / OXI	ERA INTI	ERA ONE	ERA FLOR	NICEWAY	EPS	EPM	EPL	EPSB	EPMB	EPLB	EPMOW	F210	FT210	F210B	FT210B	ELAC	ELDC	WLT
BFAB5024						•	•	•	•	•					•	•	•	•			•		•	•	•

* Radio receiver incompatible with Opera system





Systems for sliding gates

Residential	44	Naked sliding 400
	46	Slight 400
<hr/>		
Residential and Industrial	48	Robus 400/600/1000
	50	Roadkit
	52	Run 1500
	54	Run 1800/2500
<hr/>		
ET Nice systems	56	Drive 300
	58	Drive 500/600
	60	Drive 1000

Naked Sliding 400

Nice concealed motor for sliding gates up to 400 Kg with leaf length up to 6 m

Motor with built-in control unit and absolute encoder which can be installed inside a compact post with suitable holes.

Its **extremely small size** allows the motor to be installed even in very slender posts, with interior size down to 140x140 mm.

User-friendly: thanks to the BlueBUS system, allowing the control unit to be connected to up to 7 pairs of photocells and control, security and signalling devices with just two wires.

Master/slave selection: for automatic synchronisation even of 2 motors, allowing automation of sliding gates with two opposing leaves.

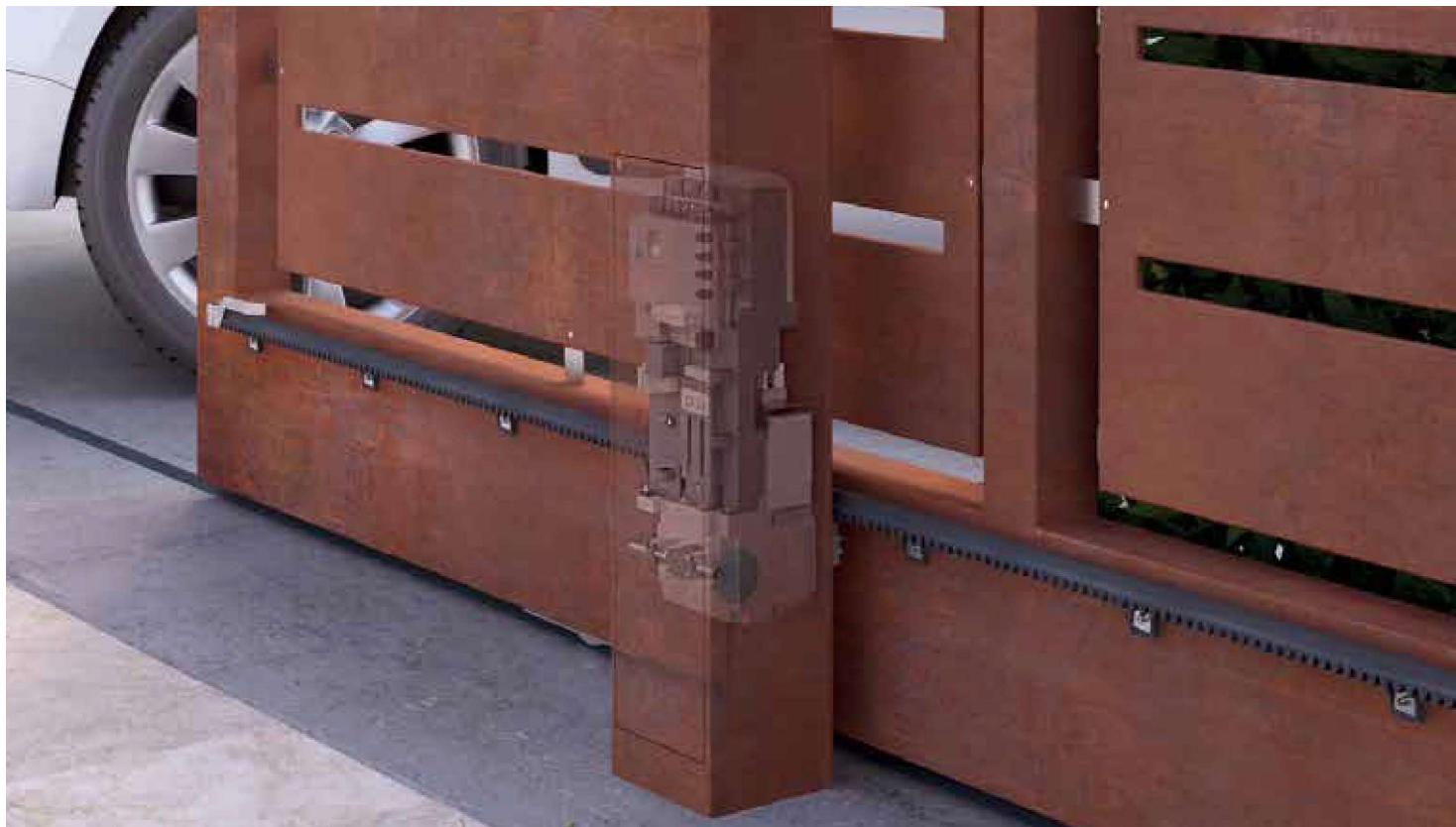
Intelligent: thanks to obstacle detection and automatic working time programming. Self-diagnostics with flashing light signalling.

Safe: acceleration and deceleration can be adjusted at the beginning and at the end of each opening and closing manoeuvre.

Simple and precise limit switch adjustment: integral absolute limit switch, quick learning with just one opening or closing operation with motor released.

Practical: control unit and optional PS124 buffer batteries can be connected by means of practical guided - connector.

Flexible: unlocking can be provided on both sides of the post and/or on the outside (with the KIO and KA1 accessories). Also easy to install on existing posts.



COMMON ACCESSORIES



IBT4N
Interface for connecting the O-View programming unit.
Pc./Pack 1



IT4WIFI
Smart Wi-fi interface to manage gates and garage doors by smartphone. (Not compatible with the Solemyo kit and PS324)
Pc./Pack 1



NKA3
Spare control unit,
Pc./Pack 1



PS124
24 V battery with integrated battery charger.
Pc./Pack 1



ROA6
M4 25x20x1000 mm slotted nylon rack with metal insert. For gates weighing up to 500 kg.
Pc./Pack 10



KA1
6 m cable release kit for KIO.
Pc./Pack 1



KIO
Key-operated selector switch for low voltage contacts, with release mechanism for metal cord.
Pc./Pack 1



TS
Signboard.
Pc./Pack 1



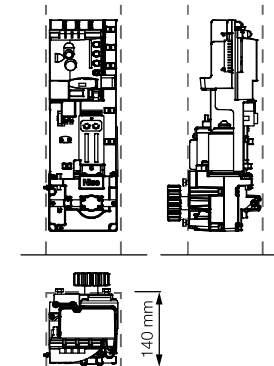
SOLEMYO KIT
The solar power to automate gates, garage doors or barrier gates.
See page 128.

TECHNICAL SPECIFICATIONS

Code	Description	Pack/Pallet
NKSL400	Irreversible, 24 Vdc, with built-in control unit and absolute encoder allowing integration in post	16
Code		
		NKSL400
ELECTRICAL DATA		
Power supply (Vac 50/60 Hz)		230
Absorption (A)		1.1
Power (W)		250
PERFORMANCE DATA		
Speed (m/s)		0.34
Force (N)		400
Work cycle (cycles/hour)		35
DIMENSIONAL AND GENERAL DATA		
Protection level (IP)		44*
Working temp. (°C Min/Max)		-20 ÷ +50
Dimensions (mm)		131x135x405 h
Weight (kg)		6.5

* The protection degree of the automation is determined by the composition motor and column.

DIMENSIONS



COMPATIBILITY TABLE WITH CONTROL SYSTEMS AND ACCESSORIES

Code	receiver		transmitter			photocells							flashing light								
	Built-in*	OXI	ERA INTI	ERA ONE	ERA FLOR	NICEWAY	EPS	EPM	EPL	EPSB	EPMB	EPLB	EPMOV	EPMOR	F210	FT210	F210B	FT210B	ELAC	ELDC	WLT
NKSL400		•	•	•	•	•				•	•	•	•	•			•	•		•	•

* Radio receiver incompatible with Opera system

Slight

Nice motor for sliding gates up to 400 kg with leaf length up to 6 m

Motor with built-in control unit and absolute encoder.

Innovative ultra-compact design: the vertical configuration of the motor makes it easy to install even in narrow openings.

User-friendly: thanks to the BlueBUS system, allowing the control unit to be connected to up to 7 pairs of photocells and control, security and signalling devices with just two wires.

Built-in LED light: programmable as either a flashing or courtesy light, it warns of gate movement during opening and closing.

Master/slave selection: for automatic synchronisation even of 2 motors, allowing automation of sliding gates with two opposing leaves.

Intelligent: thanks to obstacle detection and automatic working time programming. Self-diagnostics with flashing light signalling.

Safe: acceleration and deceleration can be adjusted at the beginning and at the end of each opening and closing manoeuvre.

Built-in absolute limit stop:

- simple and precise regulation thanks to the rapid learning in a single movement with the motor released;
- no bracket or accessory to be installed on the ratchet;
- particularly suitable in snow areas.

Practical: control unit and optional PS124 buffer batteries can be connected by means of practical guided - connector.

Oz Kit

- Oz Kit**
- motor x 1
 - lengths of rack x 4
 - receiver x 1
 - two channel remote x 2



Courtesy or flashing LED light

COMMON ACCESSORIES



IBT4N
Interface for connecting the O-View programming unit.
Pc./Pack 1



IT4WIFI
Smart Wi-fi interface to manage gates and garage doors by smartphone. (Not compatible with the Solemyo kit and PS324)
Pc./Pack 1



NKA3
Spare control unit,
Pc./Pack 1



PS124
24 V battery with integrated battery charger.
Pc./Pack 1



ROA6
M4 25x20x1000 mm slotted nylon rack with metal insert. For gates weighing up to 500 kg.
Pc./Pack 10



TS
Signboard.
Pc./Pack 1

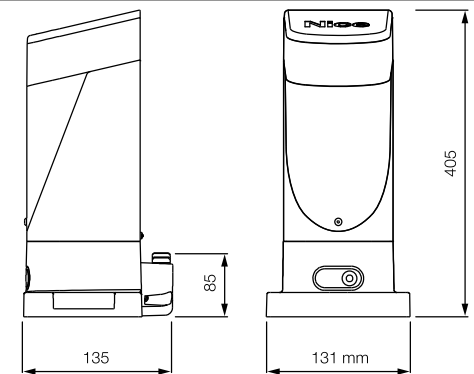


SOLEMYO KIT
The solar power to automate gates, garage doors or barrier gates.
See page 128.

TECHNICAL SPECIFICATIONS

Code	Description	Pack/Pallet
SLH400	Irreversible, 24 Vdc, with built-in control unit and absolute encoder with built-in LED light	16
ELECTRICAL DATA		
Power supply (Vac 50/60 Hz)	230	
Absorption (A)	1.1	
Power (W)	250	
PERFORMANCE DATA		
Speed (m/s)	0.34	
Force (N)	400	
Work cycle (cycles/hour)	35	
DIMENSIONAL AND GENERAL DATA		
Protection level (IP)	44	
Working temp. (°C Min/Max)	-20 ÷ +50	
Dimensions (mm)	131x135x405 h	
Weight (kg)	6.5	

DIMENSIONS



COMPATIBILITY TABLE WITH CONTROL SYSTEMS AND ACCESSORIES

Code	receiver		transmitter				photocells								flashing light						
	Built-in*	OXI	ERA INTI	ERA ONE	ERA FLOR	NICEWAY	EPS	EPM	EPL	EPFB	EPMB	EPLB	EPWOW	EPWOR	F210	FT210	F210B	FT210B	ELAC	ELDC	WLT
SLH400		•	•	•	•	•					•	•	•	•			•	•	•	•	•

* Radio receiver incompatible with Opera system

Robus 400/600/1000

For sliding gates weighing up to 400 kg (RB400), up to 600 kg (RB600) and up to 1000 kg (RB1000)

Versions with electromechanical limit switch (RB400/RB600/RB1000) and with inductive limit switch (RB600P/RB1000P).

User-friendly: thanks to the BlueBUS system, allowing the control unit to be connected to up to 7 pairs of photocells and control, security and signalling devices with just two wires.

Practical: control unit and optional PS124 buffer batteries can be connected by means of practical guided - connector.

Advanced: RB400, RB600 and RB1000 are equipped with a temperature sensor: adapt the motor power to the climatic conditions and at the same time thermal cut-out. A master/slave selection automatically synchronises two motors. This means it is possible to automate 2-leaf sliding gates set opposite each other.

Intelligent: thanks to the obstacle detection system and automatic programming of the working times. Self-diagnosis by means of a flashing light.

8 programming levels.

Safe: acceleration and deceleration can be adjusted at the beginning and at the end of each opening and closing manoeuvre.

Sturdy: base and release in pressure die cast with easy to open handle.

Silent: gear motor on bearings.

Oz Kit

- Oz Kit**
- motor x 1
 - lengths of rack x 4
 - receiver x 1
 - two channel remote x 2



COMMON ACCESSORIES



IBT4N
Interface for connecting the O-View programming unit.

Pc./Pack 1



IT4WIFI
Smart Wi-fi interface to manage gates and garage doors by smartphone. (Not compatible with the Solemyo kit and PS324)

Pc./Pack 1



RBA3
Spare control unit for RB400, RB600/600P, RB1000/1000P and RUN1500/1500P.

Pc./Pack 1



PS124
24 V battery with integrated battery charger.

Pc./Pack 1



RBA1
Inductive limit switch.

Pc./Pack 1



ROA6
M4 25x20x1000 mm slotted nylon rack with metal insert. For gates weighing up to 500 kg.

Pc./Pack 10



ROA7
M4 rack, zinc coated, 22x22x1000 mm.

Pc./Pack 10



ROA8
M4 rack, 30x8x1000 mm, zinc coated with spacers and screws.

Pc./Pack 10



TS
Signboard.

Pc./Pack 1



SOLEMYO KIT
The solar power to automate gates, garage doors or barrier gates.

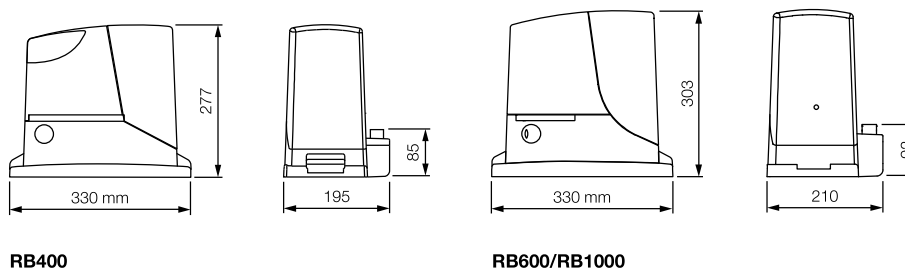
See page 128.

TECHNICAL SPECIFICATIONS

Code	Description	Pack/Pallet
RB400	Irreversible, 24 Vdc, with incorporated control unit, with electromechanical limit switch, for gates up to 400 kg	15
RB600	Irreversible, 24 Vdc, with incorporated control unit, with electromechanical limit switch, for gates up to 600 kg	15
RB600P	Irreversible, 24 Vdc, with incorporated control unit, with inductive limit switch, for gates up to 600 kg	15
RB1000	Irreversible, 24 Vdc, with incorporated control unit, with electromechanical limit switch, for gates up to 1000 kg	15
RB1000P	Irreversible, 24 Vdc, with incorporated control unit, with inductive limit switch, for gates up to 1000 kg	15

Code	RB400	RB600/600P	RB1000/1000P
ELECTRICAL DATA			
Power supply (Vac 50/60 Hz)	230		
Absorption (A)	1.1	2.5	2.3
Power (W)	250	515	450
PERFORMANCE DATA			
Speed (m/s)	0.34	0.31	0.28
Force (N)	400	600	900
Work cycle (cycles/hour)	35	40	50
DIMENSIONAL AND GENERAL DATA			
Protection level (IP)	44		
Working temp. (°C Min/Max)	-20 ÷ +50		
Dimensions (mm)	330x195x277 h	330x210x303 h	
Weight (kg)	8	11	13

DIMENSIONS



COMPATIBILITY TABLE WITH CONTROL SYSTEMS AND ACCESSORIES

Code	receiver		transmitter				photocells								flashing light							
	Built-in*	OXI	ERA INTI	ERA ONE	ERA FLOR	NICEWAY	EPS	EPM	EPL	EPFB	EPMB	EPLB	EPMDW	EPMDR	F210	FT210	F210B	FT210B	ELAC	ELDC	WLT	
RB400		•	•	•	•	•				•	•	•	•	•			•	•	•	•	•	•
RB600/600P		•	•	•	•	•				•	•	•	•	•			•	•	•	•	•	•
RB1000/1000P		•	•	•	•	•				•	•	•	•	•			•	•	•	•	•	•

* Radio receiver incompatible with Opera system

Roadkit

For sliding gates weighing up to 400 kg

Practical: built-in control unit, can be connected by means of a simple connector and can be housed directly inside the motor; incorporated radio card, compatible with the Nice Flo and Smilo systems: 100 transmitters can be entered!

Advanced: decelerations can be managed directly from the control unit and gate movement speed and force can be adjusted.

Intelligent: thanks to the obstacle detection system and automatic programming of the working times. Self-diagnosis by means of a flashing light.

Practical: the control unit and PS124 buffer battery (optional) can be connected by means of a simple connector and can be housed directly inside the motor.

The Era Gate accessories, with a minimal, modern and discreet design, renovate Nice kits' style and performance. Discover the complete range at page 101.



The kit contains:

RD400

1 Non-reversible electromechanical gearmotor, 24 VDC, with control unit and built-in receiver, designed to take the PS124 buffer battery (optional)

FLO2RE

1 Transmitter 433.92 MHz, 2 channels.



COMMON ACCESSORIES



IBT4N
Interface for connecting the O-View programming unit.
Pc./Pack 1



IT4WIFI
Smart Wi-fi interface to manage gates and garage doors by smartphone (*).
Pc./Pack 1



RBA4
Spare control unit for RDKCE.



PS124
24 V battery with integrated battery charger.
Pc./Pack 1



CM-B
Pawl with two metal release keys.



ROA6
M4 25x20x1000 mm slotted nylon rack with metal insert. For gates weighing up to 500 kg.
Pc./Pack 10

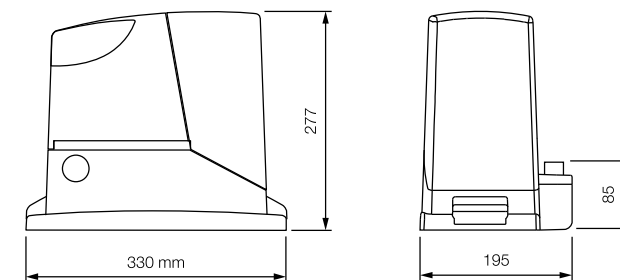
TECHNICAL SPECIFICATIONS

Code	Description
RDKCE	Kit for the automation of sliding gates up to 400 kg and up to 6 m length, 24 Vdc, with incorporated control unit and receiver

N.B. The content of the package may vary: consult the retailer.

Code	RD400
ELECTRICAL DATA	
Power supply (Vac 50/60 Hz)	230
Absorption (A)	1.1
Power (W)	210
PERFORMANCE DATA	
Speed (m/s)	0.25
Force (N)	400
Work cycle (cycles/hour)	20
DIMENSIONAL AND GENERAL DATA	
Protection level (IP)	44
Working temp. (°C Min/Max)	-20 ÷ +55
Dimensions (mm)	330x195x277 h
Weight (kg)	8

DIMENSIONS



Run 1500

For sliding gates weighing up to 1500 kg

Versions with electromechanical limit switch (RUN1500) and with inductive limit switch (RUN1500P).

User-friendly: thanks to the BlueBUS system, allowing the control unit to be connected to up to 7 pairs of photocells and control, security and signalling devices with just two wires.

Practical: the control unit and PS124 buffer battery (optional) can be connected by means of a simple connector and can be housed directly inside the motor.

Advanced: the temperature sensor adapts the motor force to weather conditions, setting the thermal cut-out protection accordingly; a master/slave selection automatically synchronises 2 motors, enabling the automation of sliding gates with two opposing leaves.

Intelligent: thanks to the obstacle detection system and automatic programming of the working times. Self-diagnosis by means of a flashing light.

8 programming levels.

Safe: acceleration and deceleration can be adjusted at the beginning and at the end of each opening and closing manoeuvre.

Sturdy: base and release in pressure die cast with easy to open handle.

Silent: gear motor on bearings.



Compartment for control unit
protected by removable box

Pressure die-cast aluminium base
and release, with epoxy painting

COMMON ACCESSORIES



IBT4N
Interface for connecting the O-View programming unit.

Pc./Pack 1



IT4WIFI
Smart Wi-fi interface to manage gates and garage doors by smartphone. (Not compatible with the Solemyo kit and PS324)

Pc./Pack 1



RBA3
Spare control unit for RB400, RB600/600P, RB1000/1000P and RUN1500/1500P.

Pc./Pack 1



PS124
24 V battery with integrated battery charger.

Pc./Pack 1



RBA1
Inductive limit switch.

Pc./Pack 1



ROA7
M4 rack, zinc coated, 22x22x1000 mm.

Pc./Pack 10



ROA8
M4 rack, 30x8x1000 mm, zinc coated with spacers and screws.

Pc./Pack 10



ROA81
M6 rack, 30x30x1000 mm, zinc coated, to be coupled with RUA12.

Pc./Pack 10



RUA12
12-teeth pinion, module 6, to be coupled with rack ROA81. The Run automation is supplied with a module 4 pinion to be used with the standard racks ROA7 and ROA8.

Pc./Pack 1



TS
Signboard.

Pc./Pack 1



SOLEMYO KIT
The solar power to automate gates, garage doors or barrier gates.

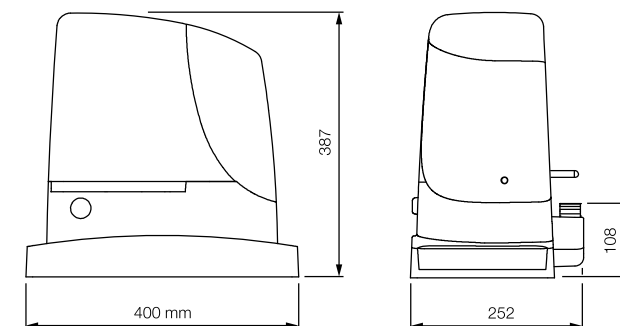
See page 128.

TECHNICAL SPECIFICATIONS

Code	Description	Pack/Pallet
RUN1500	Irreversible, 24 Vdc, with built-in control unit, with electromechanical limit switch, for sliding gates weighing up to 1500 kg	12
RUN1500P	Irreversible, 24 Vdc, with built-in control unit, with inductive limit switch, for sliding gates weighing up to 1500 kg	12

Code	RUN1500/1500P	
ELECTRICAL DATA		
Power supply (Vac 50/60 Hz)	230	
Absorption (A)	2	
Power (W)	400	
PERFORMANCE DATA		
Speed (m/s)	0.25	
Force (N)	1000	
Work cycle (cycles/hour)	60	
DIMENSIONAL AND GENERAL DATA		
Protection level (IP)	44	
Working temp. (°C Min/Max)	-20 ÷ +50	
Dimensions (mm)	400x255x390 h	
Weight (kg)	19	

DIMENSIONS



COMPATIBILITY TABLE WITH CONTROL SYSTEMS AND ACCESSORIES

Code	receiver		transmitter					photocells							flashing light						
	Built-in*	OXI	ERA INTI	ERA ONE	ERA FLOR	NICEWAY	EPS	EPM	EPL	EPSB	EPMB	EPLB	EPMOV	EPMOR	F210	F210	F210B	F210B	ELAC	ELDC	WLT
RUN1500/1500P		•	•	•	•	•					•	•	•	•			•	•	•	•	•

* Radio receiver incompatible with Opera system

Run 1800/2500

For sliding gates weighing up to 1800 kg (RUN1800) and up to 2500 kg (RUN2500)

Suitable to operate in extreme conditions, in systems for intensive use.

Ventilated motor with inductive limit switch (RUN1800P/RUN2500P) or electromechanical limit switch (RUN1800/RUN2500/RUN2500I).

Easy to install: the BlueBUS system enables connections by means of just two wires between the control unit and up to 15 control safety and signalling devices.

Safe: the acceleration settings (at the start of the manoeuvre) and the deceleration settings (at the end of the manoeuvre) are precise and reliable.

Advanced temperature sensor: Run is able to manage force, adapting it to the different climatic and environmental conditions, while adapting the thermal cut-out protection and intensity of self-ventilation, depending on the temperature reading.

Master/slave selection: for automatic synchronisation even of 2 motors, allowing automation of sliding gates with two opposing leaves.

Practical and functional: the control unit (and inverter on version RUN2500I), housed inside Run, can be simply connected by means of the practical connector guide.

Silent: gear motor on bearings.

RUN2500I version with built-in inverter

Perfect movement: the inverter enables the power supply and drive of the 3-phase motor with single-phase current at 230 Vac, acting on the frequency to adjust speed of the automation from a minimum of 8.2 m/min to maximum 15.4 m/min. In the automation deceleration phase, the inverter, which dialogues with the control unit, increases the torque, thus improving performance and reducing the risk of the automation blocking on impact with obstacles.



Compartment for control unit protected by removable box

Pressure die-cast aluminium base and release, with epoxy painting

COMMON ACCESSORIES



IT4WIFI
Smart Wi-fi interface to manage gates and garage doors by smartphone.

Pc./Pack 1



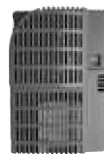
RUA1
Spare control unit for RUN1800/1800P and RUN2500/2500P.

Pc./Pack 1



RUA2
Spare control unit, for RUN2500I.

Pc./Pack 1



RUA3
Spare inverter for RUN2500I.

Pc./Pack 1



ROA7
M4 rack, zinc coated, 22x22x1000 mm.

Pc./Pack 10



ROA8
M4 rack, 30x8x1000 mm, zinc coated with spacers and screws.

Pc./Pack 10



ROA81
M6 rack, 30x30x1000 mm, zinc coated, to be coupled with RUA12.

Pc./Pack 10



RUA12
12-teeth pinion, module 6, to be coupled with rack ROA81. The Run automation is supplied with a module 4 pinion to be used with the standard racks ROA7 and ROA8.

Pc./Pack 1



TS
Signboard.

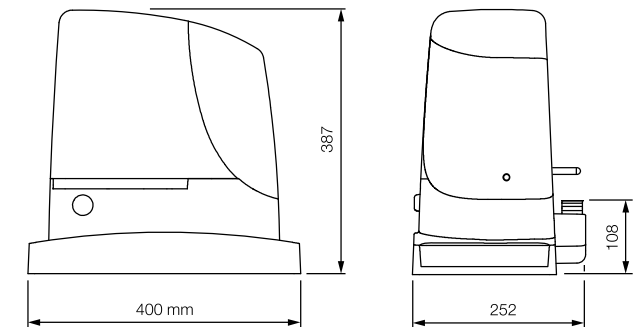
Pc./Pack 1

TECHNICAL SPECIFICATIONS

Code	Description	Pack/Pallet
RUN1800	Irreversible, 230 Vac, with built-in control unit, with electromechanical limit switch, for sliding gates weighing up to 1800 kg	12
RUN1800P	Irreversible, 230 Vac, with built-in control unit, with inductive limit switch, for sliding gates weighing up to 1800 kg	12
RUN2500	Irreversible, 230 Vac, with built-in control unit, with electromechanical limit switch, for sliding gates weighing up to 2500 kg	12
RUN2500P	Irreversible, 230 Vac, with built-in control unit, with inductive limit switch, for sliding gates weighing up to 2500 kg	12
RUN2500I	Irreversible, 230 Vac, with built-in control unit and inverter, with electromechanical limit switches, for sliding gates weighing up to 2500 kg	12

Code	RUN1800/1800P	RUN2500/2500P	RUN2500I
ELECTRICAL DATA			
Power supply (Vac/Hz)	230/50*		230/50-60
Absorption (A)	3	3.8	3.7
Power (W)	700	870	650
PERFORMANCE DATA			
Speed (m/s)	0.17		0.26
Force (N)	1110	1390	1660
Work cycle (cycles/hour)	42		56
DIMENSIONAL AND GENERAL DATA			
Protection level (IP)	44		
Working temp. (°C Min/Max)	-20 ÷ +50		
Dimensions (mm)	400x255x390 h		
Weight (kg)	24.5		25

DIMENSIONS



COMPATIBILITY TABLE WITH CONTROL SYSTEMS AND ACCESSORIES

Code	receiver		transmitter				photocells						flashing light									
	Built-in*	OXI	ERA INTI	ERA ONE	ERA FLOR	NICEWAY	EPS	EPM	EPL	EPSB	EPMB	EPLB	EPMOV	EPMOR	F210	F210	F210B	F210B	ELAC	ELDC	WLT	
RUN1800/1800P	•	•	•	•	•	•					•	•	•	•			•	•	•	•	•	•
RUN2500/2500P		•	•	•	•	•					•	•	•	•			•	•	•	•	•	•
RUN2500I		•	•	•	•	•					•	•	•	•			•	•	•	•	•	•

* Radio receiver incompatible with Opera system

Drive 300

Sliding gate motors

**Designed for residential sliding gates,
up to 300 kg**

- cost effective residential sliding gate automation
- tough DC motor with removable brushes for easy maintenance
- LED display for easy programming and diagnostics
- security gate and safety beam tamper alarm monitoring
- electronic locking of motor unit with remote control for added security
- ET-Blu Mix® enhanced rolling code receiver on board



Drive 300

ACCESSORIES



ET-BLU MIX
Rolling code remote transmitter.



BLUE i
Safety beams.



MD2010
Metal loop detector.



E-PAD O2
Wireless access control keypad.



INTERCOM
Internal and external kit.



ET-BLU MIX
Long range transmitter/receiver equipment.



STEEL OR NYLON RACK



SOLEMYO KIT
The solar power to automate gates, garage doors or barrier gates.

See page 128.



**PROUDLY
DESIGNED AND
MANUFACTURED IN
SOUTH AFRICA**



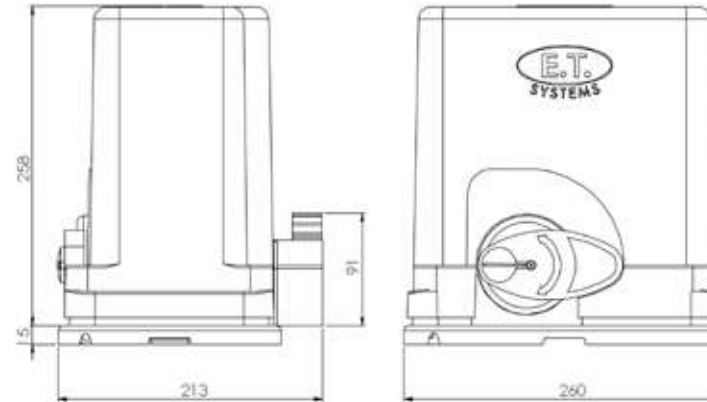
TECHNICAL SPECIFICATIONS

Code	DRIVE 300
Input voltage: (Standard kit option)	230v AC, 50Hz-60Hz
Primary supply to the electric motor	ACDC Power Pack with battery as back-up only (24V 5Ah)
Maximum duty cycle with mains present	25%*
Number of operations on battery	100 within first 24h of power failure**
Maximum gate mass	300kg
Maximum gate leaf length	25m
Rated running load	100N**
Rated gate speed	25m/min†
Built-in receiver	434MHz, 4 channel, ET BLU MIX® Enhanced rolling code. 32 user capacity

* At rated gate running load. ** Battery charge level and health dependent.

† Dependent on factors such as battery status, gate load, mains voltage, environment

DIMENSIONS



Drive 500/600

Sliding gate motor

**Designed for high traffic sliding gates,
up to 500 kg.**

- proven robust and reliable residential slide gate automation
- high speed motor with removable brushes
- advanced electronics with large backlit display for easy programming, diagnostics and fault reporting
- gate and beam tamper alarm monitoring
- pin code lockable programming
- optional heavy duty security bracket
- ET-Blu Mix® enhanced rolling code receiver on board



Drive 500/600

ACCESSORIES



ET-BLU MIX
Rolling code remote transmitter.



BLUE i
Safety beams.



MD2010
Metal loop detector.



E-PAD O2
Wireless access control keypad.



INTERCOM
Internal and external kit.



ET-BLU MIX
Long range transmitter/receiver equipment.



STEEL OR NYLON RACK



THEFT DETERRENT BRACKET



SOLEMYO KIT
The solar power to automate gates, garage doors or barrier gates.

See page 128.



PROUDLY DESIGNED AND MANUFACTURED IN SOUTH AFRICA

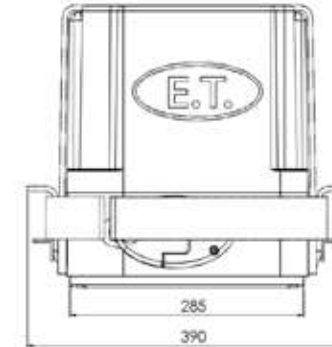
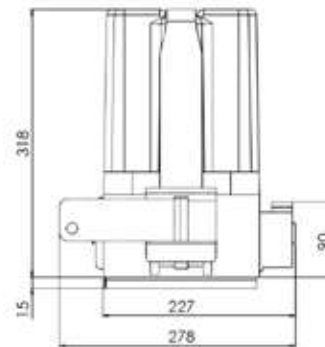
TECHNICAL SPECIFICATIONS

Code	DRIVE 500	DRIVE 600
Input voltage: (Standard kit option)	16v or 230v AC, 50Hz-60Hz	230v AC, 50Hz-60Hz
Primary supply to the electric motor	Battery dependent (12V 7,5Ah)	ACDC Power Pack with battery as back-up only (12V 7,5Ah)
Maximum duty cycle with mains present	25%*	98%*
Number of operations on battery	100 within first 24h of power failure**	100 within first 24h of power failure**
Maximum gate mass	500kg	500kg
Maximum gate leaf length	35m	35m
Rated running load	180N**	180N**
Rated gate speed	28m/min†	30m/min†
Built-in receiver	434MHz, 4 channel, ET BLU MIX® Enhanced rolling code. 250 user capacity	434MHz, 4 channel, ET BLU MIX® Enhanced rolling code. 250 user capacity

* At rated gate running load. ** Battery charge level and health dependent.

† Dependent on factors such as battery status, gate load, mains voltage, environment

DIMENSIONS



Drive 1000

Sliding gate motor

**Designed for high traffic sliding gates,
up to 1000 kg.**

- heavy duty robust design for high-traffic industrial sliding gate automation
- proven power back operation with true battery backup
- high speed motor with intelligent control
- advanced electronics with large backlit display for easy programming, diagnostics and fault reporting
- designed to house up to two 24V 3.5Ah batteries for extra internal battery backup
- gate motor and beam tamper alarm monitoring
- optional heavy duty security bracket
- ET-Blu Mix® enhanced rolling code receiver on board



Drive 1000

ACCESSORIES



ET-BLU MIX
Rolling code remote transmitter.



BLUE i
Safety beams.



MD2010
Metal loop detector.



E-PAD O2
Wireless access control keypad.



INTERCOM
Internal and external kit.



ET-BLU MIX
Long range transmitter/receiver equipment.



STEEL OR NYLON RACK



THEFT DETERRENT BRACKET



SOLEMYO KIT
The solar power to automate gates, garage doors or barrier gates.

See page 128.



PROUDLY DESIGNED AND MANUFACTURED IN SOUTH AFRICA

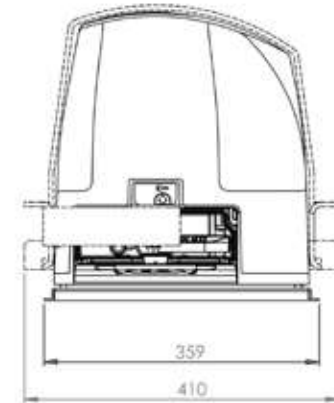
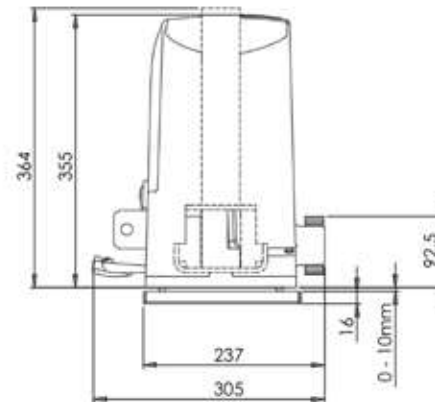
TECHNICAL SPECIFICATIONS

Code	DRIVE 1000
Input voltage: (Standard kit option)	230v AC, 50Hz-60Hz
Primary supply to the electric motor	ACDC Power Pack with battery as back-up only (24V 5Ah)
Maximum duty cycle with mains present	98%*
Number of operations on battery	100 within first 24h of power failure**
Maximum gate mass	1000kg
Maximum gate leaf length	40m
Rated running load	400N
Rated gate speed	28m/min†
Built-in receiver	434MHz, 4 channel, ET BLU MIX® Enhanced rolling code. 1000 user capacity

* At rated gate running load. ** Battery charge level and health dependent.

† Dependent on factors such as battery status, gate load, mains voltage, environment

DIMENSIONS





Systems for garage doors



Garage Doors,
Balanced Rolling Door

64 Giro
66 Rondo
68 Sumo
70 Spinbuskit 20/22/23
72 Spykit 550

ET Nice systems

74 DC Blue Advanced Roll Up
76 DC Blue Pico/ Advanced

Giro

For balanced rolling shutters up to 170 kg and 340 kg

Electromechanical gearmotor available both in reversible and irreversible version.

High performance: new irreversible twin-motor version with 800 W power and lifting force up to 340 Nm.

Unbeatably flexible use and less inventory to keep in stock: a single model that is designed to take a 76 mm rolling shutter shaft but can be easily adapted to take a 60 or 48 mm shaft, covering the full range of most commonly used sizes.

The outside diameter of the gear can be adapted from 200 mm to 220 or 240 mm, allowing installation on most rolling shutters.

Technologically innovative: the brake is built into the gearmotor and results in much smoother operation than the traditional solution.

Easy limit switch adjustment: automatic limit switch adjustment is achieved by simply operating the rolling shutter without any load, with the motor released, and then just fine-tuning the system manually.

Simple system for releasing both motors at the same time.

Recommended control unit: MC200.

QUICK AND EASY INSTALLATION

During installation, the motor is supported on the shaft thanks to the practical guided coupling.

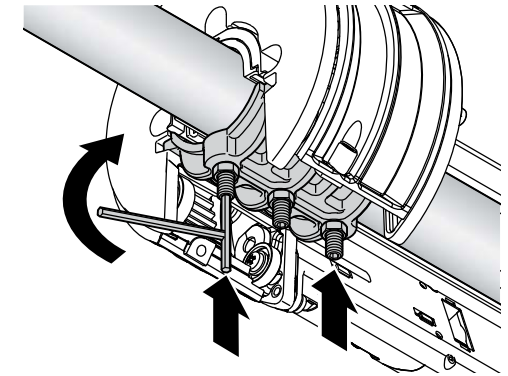


Versatile:
can be used with
76, 60 and 48 mm shafts

Strong:
100% aluminium housing



Twin-motor version:
maximum power, ideal for
the toughest applications



COMMON ACCESSORIES



IBT4N
Interface for connecting the O-View programming unit.
Pc./Pack 1



IT4WIFI
Smart Wi-fi interface to manage gates and garage doors by smartphone.
Pc./Pack 1



MC200
Control unit with automatic closing.
Pc./Pack 1



GRA02
Adapter for 48 mm shaft.
Pc./Pack 1



GRA03
Adapter for 240 mm gear diameter.
Pc./Pack 1



GRA01
Additional motor for GR170, complete with accessories for simultaneous release.
Pc./Pack 1



KIOMINI
Aluminium key switch/switch lock box with control and release button.
Pc./Pack 1



KIO
Key-operated selector switch for low voltage contacts, with release mechanism for metal cord.
Pc./Pack 1



TS
Signboard.
Pc./Pack 1

TECHNICAL SPECIFICATIONS

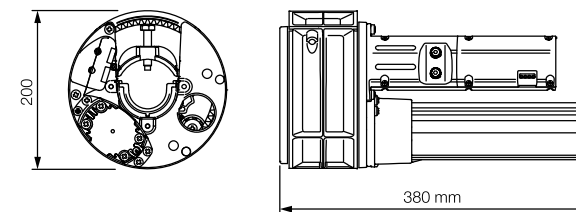
Code	Description	Pack/Pallet
GR170	For balanced rolling doors up to 170 kg, 230 V irreversible, with built-in brake and release device	44
GR170E01	For balanced rolling doors up to 170 kg, 230 V irreversible, with built-in brake and release device, power cable, 5 m long, included in box	44
GR170R	For balanced rolling doors up to 170 kg, reversible 230 V, without brake	44
GR170RE01	For balanced rolling doors up to 170 kg, reversible 230 V, without brake, 5 m long power cable included	44
GR340E01	For balanced rolling doors up to 340 kg, irreversible 230 V, twin-motor with built-in brake and release device, 5 m long power cable included	44

Code	GR170/E01 - GR170R/E01	GR340E01
ELECTRICAL DATA		
Power supply (V/Hz)	230/50	
Absorption (A)	1.9	3.3
Power (W)	430	800
PERFORMANCE DATA		
Speed (rpm)	8	
Torque (Nm)	170	340
Continuous operating time (min)	4	
Max. number of operations per day	10	
DIMENSIONAL AND GENERAL DATA		
Rolling shutter shaft diameter	76 - 60* - 48**	
Outside diameter of the gear	200 - 220* - 240**	
Protection level (IP)	20	
Working temp. (°C Min/Max)	-20 ÷ +50	
Dimensions (mm)	Ø 200 x 380	
Weight (kg)	7	10.5

* with adapter included in box

** with additional adapter (optional extra)

DIMENSIONS



COMPATIBILITY TABLE WITH CONTROL SYSTEMS AND ACCESSORIES

Code	control unit/receiver						transmitter				photocells				flashing light										
	MC200 / Built-in*	MC800 / OXI	DPRO500 / OXI-SMXY*	A924 / FLOXIZR*	MC424L / Built-in*	MC824H / OXI	MC824HR / OXI	ERA INTI	ERA ONE	ERA FLOR	NICEWAY	EPS	EPM	EPL	EPSB	EPMB	EPLB	EPWOR	F210	FT210	F210B	FT210B	ELAC	ELDC	WLT
GR170 / GR170E01	•						•	•	•	•	•	•	•				•	•	•				•		
GR170R / GR170RE01	•						•	•	•	•	•	•	•				•	•	•				•		
GR340E01	•						•	•	•	•	•	•	•				•	•	•				•		

* Radio receiver incompatible with Opera system

Rondo

For balanced rolling shutters up to 130 kg and 180 kg

Electromechanical gearmotor available both in reversible and irreversible version.

Smart: the limit switch unit and wiring are protected by an elegant box; pre-wired capacitor.

Fast: easy and intuitive adjustment of the limit switches both during opening and closing.

Complete: supplied with 200 mm and 220 mm flange for 60 mm shafts, with 48 mm and 42 mm adaptors.

Easy to install: thanks to the guided connector, you don't need to hold the motor while you secure it using just 3 screws.

Recommended control unit MC200, easy, complete and reliable with:

- semi-automatic or automatic operation;
- complete reverse run with photocell;
- step-by-step operation;
- programmable Step-by-step/Open input;
- programmable Stop/Photo input;
- input for resistive edge;
- incorporated radio card, compatible with the Nice Flo, FloR and Smilo systems.



Sturdy:
housing in 100% aluminium

Practical:
easy to adjust,
electromechanical limit switches
both during closing and opening

Complete:
designed for
cord operated release

COMMON ACCESSORIES



IBT4N
Interface for connecting the O-View programming unit.
Pc./Pack 1



IT4WIFI
Smart Wi-fi interface to manage gates and garage doors by smartphone.
Pc./Pack 1



MC200
Control unit with automatic closing.
Pc./Pack 1



KIO
Key-operated selector switch for low voltage contacts, with release mechanism for metal cord.
Pc./Pack 1



RNA01
Electronic brake for RN2020 and RN2010.
Pc./Pack 1



TS
Signboard.
Pc./Pack 1

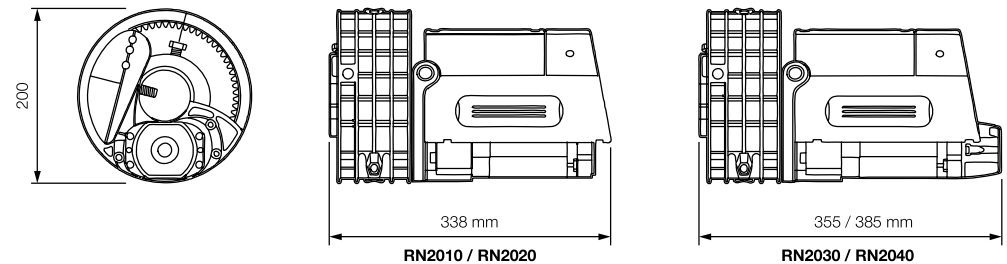
TECHNICAL SPECIFICATIONS

Code	Description	Pack/Pallet
RN2010	For balanced rolling doors up to 130 kg, 230 V reversible, without brake	35
RN2020	For balanced rolling doors up to 180 kg, 230 V reversible, without brake	35
RN2030	For balanced rolling doors up to 130 kg, irreversible, with brake and release device	35
RN2040	For balanced rolling doors up to 180 kg, irreversible, with brake and release device	35

Code	RN2010	RN2030	RN2020	RN2040
ELECTRICAL DATA				
Power supply (Vac 50 Hz)*	230			
Absorption (A)	2		2.6	
Power (W)	450		600	
PERFORMANCE DATA				
Speed (rpm)	10			
Torque (Nm)	130		180	
Work cycle max (%)	50% with 30s ON and 30s OFF			
DIMENSIONAL AND GENERAL DATA				
Protection level (IP)	20			
Working temp. (°C Min/Max)	-20 ÷ +50			
Dimensions (mm)	200x338	200x355	200x338	200x385
Weight (kg)	9.5		10	

* 60 Hz version available on request

DIMENSIONS



COMPATIBILITY TABLE WITH CONTROL SYSTEMS AND ACCESSORIES

Code	control unit/receiver						transmitter				photocells						flashing light								
	MC200 / Built-in*	MC800 / OXI	DPRO500 / OXI-SMIX*	A924 / FLOX12R*	MC424L / Built-in*	MC824H / OXI	MC824HR / OXI	ERA INTI	ERA ONE	ERA FLOR	NICEWAY	EPS	EPM	EPL	EPSB	EPMB	EPLB	EPMOR	F210	FT210	F210B	FT210B	ELAC	ELDC	WLT
RN2010	•						•	•	•	•	•	•	•				•	•	•				•		
RN2020	•						•	•	•	•	•	•	•				•	•	•				•		
RN2030	•						•	•	•	•	•	•	•				•	•	•				•		
RN2040	•						•	•	•	•	•	•	•				•	•	•				•		

* Radio receiver incompatible with Opera system

Sumo

For sectional doors and two-wings sliding doors up to 35 m²

24 Vdc electromechanical gear motor with magnetic encoder, no need to adjust limit switches. Perfect for intensive use.

Revolutionary aesthetics: compact, particularly in width, in order to make assembly easy in any position; quick to install.

Easy to install: can be fitted directly onto the shaft of sectional doors. Perfect for Ø 25.4 mm shafts and can be used also with Ø 31.75-35-40 mm shafts thanks to the CRA9 adapter.

Many different functions with the separate Mindy A924 control unit:

- automatic memorization of limit switches on opening and closing;
- gradual departure and slowdown during closing;
- integrated battery charge card with optional battery power supply in the event of power failures;
- easy programming by pressing a single button;
- pause time programming and speed adjustment;
- "service" warning light for maintenance (can be programmed according to the number of manoeuvre required).

Case totally made from thick die-cast aluminium

Inspection compartment, easy to access for connections

Release cord, 6.5 m long, with emergency handle



COMMON ACCESSORIES



A924
Control unit.
Pc./Pack 1



PUL
Central cover with buttons, complete with connecting cable and connected for A500 and A924.
Pc./Pack 1



B12-B
12 V, 6 Ah batteries.
Pc./Pack 1



BA3-A
Nice battery box.



KIO
Key-operated selector switch for low voltage contacts, with release mechanism for metal cord.
Pc./Pack 1



KA1
6 m cable release kit for KIO.
Pc./Pack 1



CRA1
Shaft with 18-tooth pinion Ø shaft 25.4 mm Ø inside crown 25.4 mm.
Pc./Pack 1



CRA2
Joint for chain.
Pc./Pack 1



CRA5
Tensioner drive with brackets, for single or double wing industrial door.
Pc./Pack 1



CRA3
1/2" chain, 1 m pack, plus joint for chain.
Pc./Pack 1



CRA4
1/2" chain, 5 m pack, ideal for single or double wing industrial doors, plus joint for chain.
Pc./Pack 1



CRA6
36-tooth pinion Ø inside 25.4 mm.
Pc./Pack 1

CRA7
18-tooth pinion Ø inside 25.4 mm.
Pc./Pack 1



CRA8
Wall-fixing bracket.
Pc./Pack 2



CRA9
Adapter for diameter 31.75 (1.1/4"), 35 and 40 mm shafts.
Pc./Pack 1



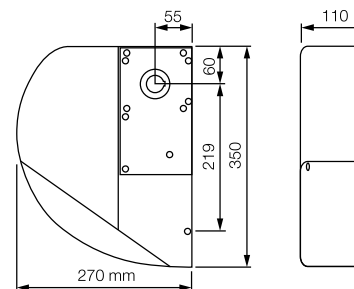
TS
Signboard.
Pc./Pack 1

TECHNICAL SPECIFICATIONS

Code	Description	Pack/Pallet
SU2000	Irreversible 24 Vdc, with magnetic encoder, no need to adjust limit switches, from 15 m ² up to 35 m ²	20
SU2000V	Irreversible 24 Vdc, with magnetic encoder, no need to adjust limit switches, increased speed, from 10 m ² fino a 25 m ²	20
SU2000VV	Irreversible 24 Vdc, with magnetic encoder, no need to adjust limit switches, high speed, from 10 m ² up to 15 m ²	20
SU2010	Irreversible 24 Vdc, with magnetic encoder, no need to adjust limit switches, IP54, from 15 m ² up to 35 m ²	20

Code	SU2000	SU2000V	SU2000VV	SU2010
ELECTRICAL DATA				
Power supply (Vdc)	24			
Absorption (A)	13			
Power (W)	500			
PERFORMANCE DATA				
Speed (rpm)	16	23.5	42	16
Torque (Nm)	120	82	46	120
Work cycle (%)	50			
DIMENSIONAL AND GENERAL DATA				
Protection level (IP)	44			54
Working temp. (°C Min/Max)	-20 ÷ +50			
Dimensions (mm)	110x270x350 h			
Weight (kg)	10.5			

DIMENSIONS



COMPATIBILITY TABLE WITH CONTROL SYSTEMS AND ACCESSORIES

Code	control unit/receiver					transmitter				photocells				flashing light									
	DPR0500/OXI	A924 / FLOXI2R*	MC424L / Built-in*	MC824H / OXI	MC824HR / OXI	ERA INTI	ERA ONE	ERA FLOR	NICEWAY	EPS	EPM	EPL	EPFB	EPMB	EPLB	EPMOR	F210	FT210	F210B	FT210B	ELAC	ELDC	WLT
SU2000		•				•	•	•	•	•	•	•	•	•	•	•	•	•	•	•	•	•	•
SU2000V		•				•	•	•	•	•	•	•	•	•	•	•	•	•	•	•	•	•	•
SU2000VV		•				•	•	•	•	•	•	•	•	•	•	•	•	•	•	•	•	•	•
SU2010		•				•	•	•	•	•	•	•	•	•	•	•	•	•	•	•	•	•	•

* Radio receiver incompatible with Opera system

Spinbuskit 20/22/23

For sectional doors up to 10.5 m² and up-and-over garage doors up to 11.8 m²



Three versions in kit:

- rail in three 1 m pieces SPIN20KCE;
- pre-mounted guide of 4 m (3+1 m) SPIN22KCE;
- with pre-mounted guide of 3 m SPIN23KCE.

Rapid installation - anywhere! The adjustable head, cord-type release and cable-controlled, step-by-step release can be fitted in any part of the garage in order to actuate the system without a remote control device and without the need to install wall-mounted control units.

Inexpensive to run and environmentally-friendly: with mains electricity, the control unit in stand-by with radio connected consumes just 5.2 W; connected to a battery or the Solemyo kit, consumption in stand-by drops to 0.036 W.

User-friendly thanks to the BlueBUS system: which enables connection by means of just two wires between the control unit and pair of photocells.

No black out: operation in event of power failure with optional PS124 batteries insertable in the motor.

Safe: obstacle detection system and automatic programming of the working times; motor absorption is monitored during movement, self-diagnosis by means of a flashing light and courtesy LED light.

Adjustable acceleration and deceleration at the start and end of each manoeuvre.

Can be connected with latest generation sensitive edges 8.2 KOhm.

Built-in LED courtesy light.

The kit contains:

SN6021

1 Gear motor with built-in SN6021 control unit and OXI plug-in receiver.



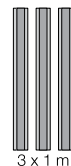
FLO2RE

1 Transmitter 433.92 MHz, 2 channels.



SPIN20KCE

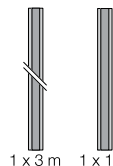
1 Guide in three 1-metre sections.



3 x 1 m

SPIN22KCE

1 Guide in one 3-metre section + one 1-metre section.



1 x 3 m 1 x 1 m

SPIN23KCE

1 Guide in one 3-metre section.



1 x 3 m

COMMON ACCESSORIES



IBT4N
Interface for connecting the O-View programming unit.
Pc./Pack 1



IT4WIFI
Smart Wi-fi interface to manage gates and garage doors by smartphone. (Not compatible with the Solemyo kit and PS324)
Pc./Pack 1



SNA20
Spare control unit, for SPIN20KCE, SPIN22KCE e SPIN23KCE.
Pc./Pack 1



PS124
24 V battery with integrated battery charger.
Pc./Pack 1



SPA2
Kit for unlocking from the outside with cable.
Pc./Pack 1



SPA5
Oscillating arm sliding on bearings with optimised structure for projecting up-and-over doors.
Pc./Pack 1



SPA6
Large 585 mm long connecting arm.
Pc./Pack 1



SPA7
Kit of two additional fixing brackets.
Pc./Pack 2



SNA16
Quick-connect brackets for ceiling mounting.
Pc./Pack 10



TS
Signboard.
Pc./Pack 1



SOLEMYO KIT
The solar power to automate gates, garage doors or barrier gates.
See page 128.

TECHNICAL SPECIFICATIONS

Code	Description	Pack/Pallet
SPIN20KCE	Kit for automating sectional and up-and-over doors. Guide in three 1-metre sections	14
SPIN22KCE	Kit for automating sectional and up-and-over doors. Guide in one 3-metre section + one 1-metre section	15
SPIN23KCE	Kit to automate sectional and up-and-over doors. 3 m rail	15

N.B. The content of the package may vary: consult the retailer.

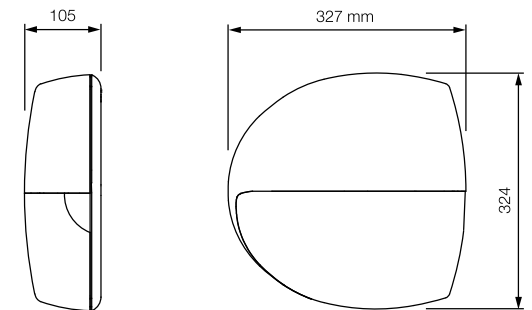
Code	SN6021
ELECTRICAL DATA	
Power supply (Vac 50/60 Hz)	230
Absorption (A)	0.8
Power (W)	270
PERFORMANCE DATA	
Speed (m/s)	0.20
Force (N)	650
Working cycle (cycles/day)	50
DIMENSIONAL AND GENERAL DATA	
Protection level (IP)	40
Working temp. (°C Min/Max)	-20 ÷ +55
Dimensions (mm)	311x327x105 h
Weight (kg)	3.6

UTILISATION LIMITS

Using the maximum travel

	Non-projecting up-and-over door		Projecting up-and-over door		Sectional	
	H	L	H	L	H	L
SPIN20KCE	2.2 m	4.2 m	2.8 m	4.2 m	2.4 m	4.4 m
SPIN22KCE	3.2 m	2.9 m	3.5 m	3.4 m	3.4 m	3.1 m
SPIN23KCE	2.2 m	4.2 m	2.8 m	4.2 m	2.4 m	4.4 m

DIMENSIONS



Spykit 550

For sectional doors up to 9 m² and up-and-over doors (including canopy doors) up to 10.5 m²

24 Vdc irreversible electromechanical gear motor for residential use, transmission with rack on the rail.

To be combined with SPYRAIL321, SPYRAIL162 and SPYRAIL081 rails.

Functional and stylish: the motor is the only component that moves on the rail, there are no chains or other noisy mechanisms. Ideal for any architectural context.

Handy: Separate control unit: more practical and convenient for programming and maintenance. Built-in LED courtesy light. Three practical keys to control the automation.

Quick to install: modular rail with assembly accessories. Limit switches easy to position along the rail with no need to stand and work on the ceiling. No chains or other noisy mechanisms to install.

Easy to program: simple and fast basic programming, using the Quick Setup procedure. Simplified advanced programming, using O-View.

ON/OFF release system: pulling the release knob once releases the motor; pulling it a second time blocks the motor again, in any position along the rail.

Inexpensive to run and environmentally-friendly: when connected to the mains in standby mode, the control unit consumes 1.5 W.

Safe: obstacle detection, motor power monitoring during travel, diagnostic messages via flashing light and courtesy light.

Adjustable acceleration and deceleration at the start and end of each manoeuvre.

Ready for installation of the latest generation 8.2 kOhm resistive sensitive edges.

Optimised logistics: for practical management and transport, the rails are available in different sizes: single 3.2 m long rail, or supplied in two 1.6 m sections plus a 0.8 m extension.



The kit contains:

SPY550

1 SPY550 gearmotor, 550 N.



SPYBOX

1 Control unit with built-in LED courtesy light and receiver.



FLO2RE

1 Transmitter 433.92 MHz, 2 channels.



COMMON ACCESSORIES



IBT4N
Interface for connecting the O-View programming unit.
Pc./Pack 1



IT4WIFI
Smart Wi-fi interface to manage gates and garage doors by smartphone.
Pc./Pack 1



SPA5
Oscillating arm sliding on bearings with optimised structure for projecting up-and-over doors.
Pc./Pack 1



SPA6
Large 585 mm long connecting arm.
Pc./Pack 1



KI1
Outside release kit with metal pull-cord and lock and key.
Pc./Pack 1



SPA2
Kit for unlocking from the outside with cable.
Pc./Pack 1



TS
Signboard.
Pc./Pack 1

TECHNICAL SPECIFICATIONS

Code	Description	Pack/ Pallet
SPY550KCE	Kit for the automation of sectional and up-and-over doors, 550 N, with SPYBOX control unit and 1 FLO2RE transmitter. Rails not included	48

Code	SPY550KCE
ELECTRICAL DATA	
Power supply (Vac 50/60 Hz)	230 ± 10%
Absorption (A)	1.2
Maximum power (W)	200
Power in standby (W)	1.5
PERFORMANCE DATA	
Maximum speed (m/s)	0.15
Maximum force (N)	550
Nominal force (N)	180
Work cycle (cycles/hour)	20
Working cycle (cycles/day)	200
DIMENSIONAL AND GENERAL DATA	
Protection level (IP)	IP40
Working temp. (°C Min/Max)	-20 ÷ +55
Pack dimensions (mm)	380x380x125 h
Weight (kg)	3.2

RAIL TECHNICAL SPECIFICATIONS

Code	Description	Pack/ Pallet
SPYRAIL321	1 x 3.2 m rail with assembly accessories	48
SPYRAIL162	2 x 1.6 m rails with assembly accessories	48
SPYRAIL081	0.8 m extension with assembly accessories (to add to the other rails so as to reach a length of 4 m)	48

Code	SPYRAIL321	SPYRAIL162	SPYRAIL081*
Type	3.2 m (one section)	3.2 m (2 pcs length 1.6 m)	0.8 m (rails to reach length 4 m)
Installed rail length (mm)	3270		4075
Useful travel (mm)	2710		3515
Weight (kg)	7.5	8.35	3.3
Pack dimensions (mm)	3230x110x50	1760x110x50	960x110x50
Accessories pack dimensions (mm)	400x400x90		

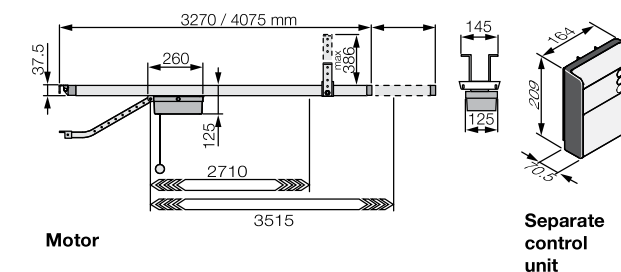
* To be used in combination with SPYRAIL321 e SPYRAIL162 rails

UTILISATION LIMITS

Using the maximum travel

	Non-projecting up-and-over door (with SPA5)		Projecting up-and-over door (with SPA5) or with springs (without SPA5)		Sectional	
	H	L	H	L	H	L
SPY550 with 3.2 m rail	2.3 m	3.5 m	2.8 m	3.5 m	2.5 m	3.6 m
SPY550 with 4 m rail	3.1 m	2.6 m	3.5 m	2.9 m	3.3 m	2.8 m

DIMENSIONS



COMPATIBILITY TABLE WITH CONTROL SYSTEMS AND ACCESSORIES

Code	receiver			transmitter				photocells								flashing light						
	Built-in*	SMX1	OXI	ERA INTI	ERA ONE**	ERA FLOR	NICEWAY	EPS	EPIM	EPL	EPSB	EPMB	EPLB	EPMOW	EPMOR	F210	FT210	F210B	FT210B	ELAC	ELDC	WLT
SPYBOX	•			•	•	•	•	•	•	•	•	•	•	•	•	•	•	•	•	•	•	•
SPYBOXB	•	•	•	•	•	•	•	•	•	•	•	•	•	•	•	•	•	•	•	•	•	•

* Radio receiver incompatible with Opera system

** ERA ONE remote controls, when used with SPYBOX, work as ERA FLOR models

DC Blue

Advanced Roll up

Designed for residential roll-up doors
garage doors up to 8m²

DC Blue Advanced Roll-up Garage Door Operator

- cost effective residential roll-up door operator
- reliable operation through advanced door load profiling
- easy installation
- no physical limit switches to setup
- separate control box
- true battery back-up (operator not battery dependant)
- bright led courtesy light
- better security
- ET-blu mix© receiver (unhackable & uncrackable)
- door alarm monitoring
- safety beam monitoring
- electric lock control feature
- holiday lock-out



ACCESSORIES



ET-BLU MIX
Rolling code remote transmitter.



ET-BLU MIX
Rolling code receivers.



ET-BLU MIX
Long range transmitter/receiver equipment.



E-PAD O2
Wireless access control keypad.



STRIKE LOCK



E-COMS RELAY MODULE

For switching of external lights or locks.



BLUE i
Safety beams.



BATTERY BACK-UP



EMERGENCY ESCAPE LOCK



BELT DRIVE
Super silent and steel reinforced.



SOLEMYO KIT
The solar power to automate gates, garage doors or barrier gates.

See page 128.



**PROUDLY
DESIGNED AND
MANUFACTURED IN
SOUTH AFRICA**

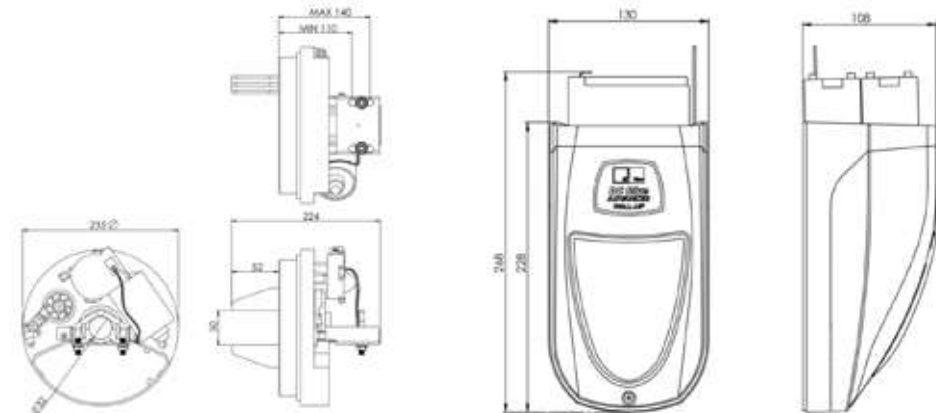
TECHNICAL SPECIFICATIONS

Code	DC BLUE ADVANCED ROLL-UP
Input voltage: (Standard kit option)	220v AC, 50Hz
Primary supply to the electric motor	24V Toroidal transformer
Battery back-up	Yes BUT not battery dependant (battery optional)
Duty Cycle Maximum	25% with 220Vac present*
Number of operations on battery reserve w/out AC mains present	25 within the first 24h of power failure**
Maximum door size	8m ²
Applicable door types	One-piece Aluzinc or Cromadek roll-up doors
Maximum running load	40Nm**
Rated speed	10 m/min (Drum speed)†
Built-in receiver	434MHz, ET-Blu Mix © rolling code with 31 user capacity

* At rated running load ** Battery charge level and health dependent

† Dependent on factors such as battery status, door load, mains voltage, environment

DIMENSIONS



DC Blue

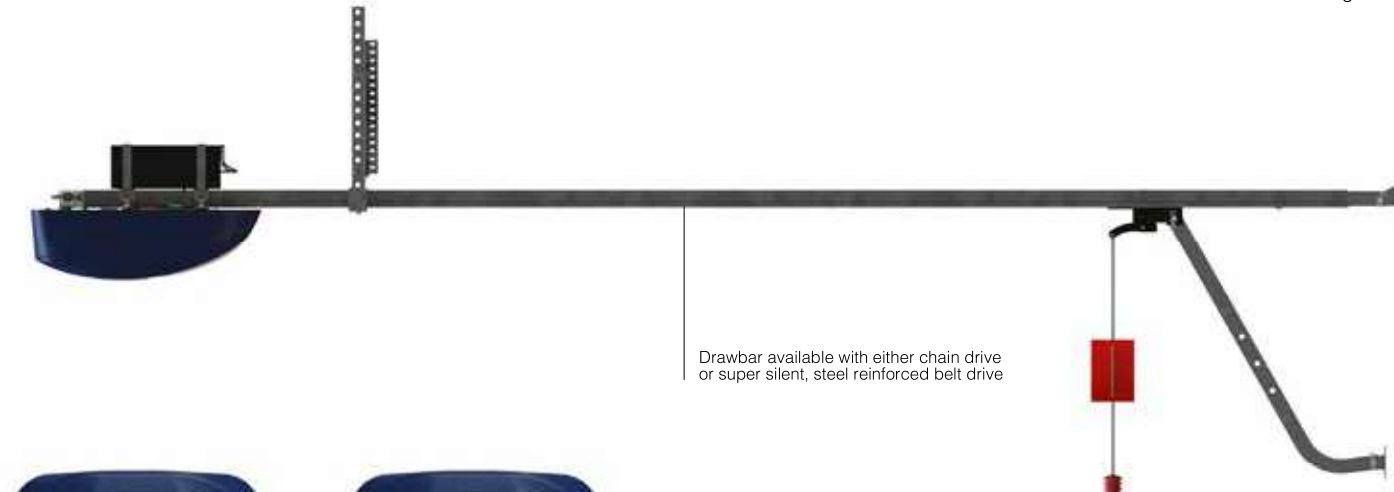
Advanced Pico/ Advanced

DC Blue Advanced Pico (Tip-up and Sectional Garage Door Motor)

- cost effective single garage door automation
- intelligent door load profiling for added safety and control
- reliable and powerful proven DC Blue Advanced technology
- simple to program and fault find with 7 segment LED display
- sleek, modern design
- safety beam input
- selectable automatic closing LED courtesy light; optional external light control
- added security via optional electric lock control
- built-in ET-Blu Mix® enhanced rolling code receiver

DC Blue Advanced (Tip-up and Sectional Garage Door Motor)

- battery Back-up (Battery Included)
- LED programming and fault display
- LED courtesy light
- powerful motor
- safety beam input
- adjustable electronic limits and force control
- selectable automatic closing
- on-board dual channel rolling code radio receiver (©G&C Electronics CC T/A E.T. Systems 2010)
- 2 x 4 button dual technology remotes
- audible diagnostics
- electronic lock-out
- optional external status, light and lock control



ACCESSORIES



ET-BLU MIX
Rolling code remote transmitter.



ET-BLU MIX
Rolling code receivers.



ET-BLU MIX
Long range transmitter/receiver equipment.



E-PAD O2
Wireless access control keypad.



STRIKE LOCK



E-COMS RELAY MODULE
For switching of external lights or locks.



BLUE i
Safety beams.



BATTERY BACK-UP



EMERGENCY ESCAPE LOCK



BELT DRIVE
Super silent and steel reinforced.



SOLEMYO KIT
The solar power to automate gates, garage doors or barrier gates.
See page 128.



PROUDLY DESIGNED AND MANUFACTURED IN SOUTH AFRICA

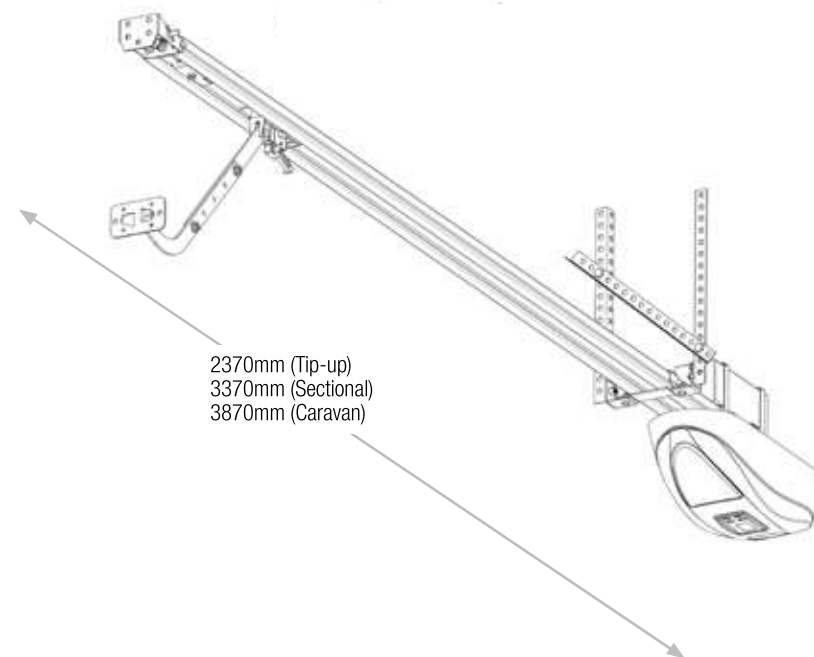
TECHNICAL SPECIFICATIONS

Code	DC BLUE ADVANCED PICO	DC BLUE ADVANCED
Input voltage: (Standard kit option)	230v AC, 50Hz-60Hz	230v AC, 50Hz-60Hz
Primary supply to the electric motor	24V Toroidal transformer	24V Toroidal transformer
Maximum duty cycle with mains present	25%*	25%*
Number of operations on battery	50 within first 24h of power failure**	50 within first 24h of power failure**
Maximum door size	10m ²	15m ²
Applicable door types	Trackless tip-up or sectional overhead	Trackless tip-up or sectional overhead
Maximum pulling force	600N**	1000N**
Rated running load	30kgf	35kgf
Rated speed	8m/min†	8m/min†
Built-in receiver	434MHz, 4 channel, ET BLU MIX® Enhanced rolling code 35 button capacity	434MHz, 4 channel, ET BLU MIX® Enhanced rolling code 35 button capacity

* At rated running load. ** Battery charge level and health dependent.

† Dependent on factors such as battery status, door load, mains voltage, environment

DIMENSIONS







High Speed Automation Systems for Sliding and Swing Gates +Drive Bolt Lock

Sliding Gate Operators - Low Voltage	80	GDS 230/450 LVL
Sliding Gate Operators	82	GDS 315 LI/450 LI/630 LI/940 PI
	84	GDS 315/450/630 L
Chain Sliders	86	GDS 630 CH HD GDS 630 CH
Belt Drive	88	GDS 450/630 Belt GDS 230/450 LVL Belt
Swing Gate Operators	90	GDS 4/6 LV GDS 4/6/7/8
Drive Bolt	94	Entry Level Drive Bolt
Drive Bolt Slim	95	Drive Bolt GDS D8 Slim (130 or 130 SLIM)

MANUFACTURED AND DESIGNED IN AUSTRALIA

Nice Australia recommend that all gate automation should include photo electric cells, warning signs and any other safety device required for the individual installation

Sliding Gate Operators

Low voltage

GDS 230/450 LVL

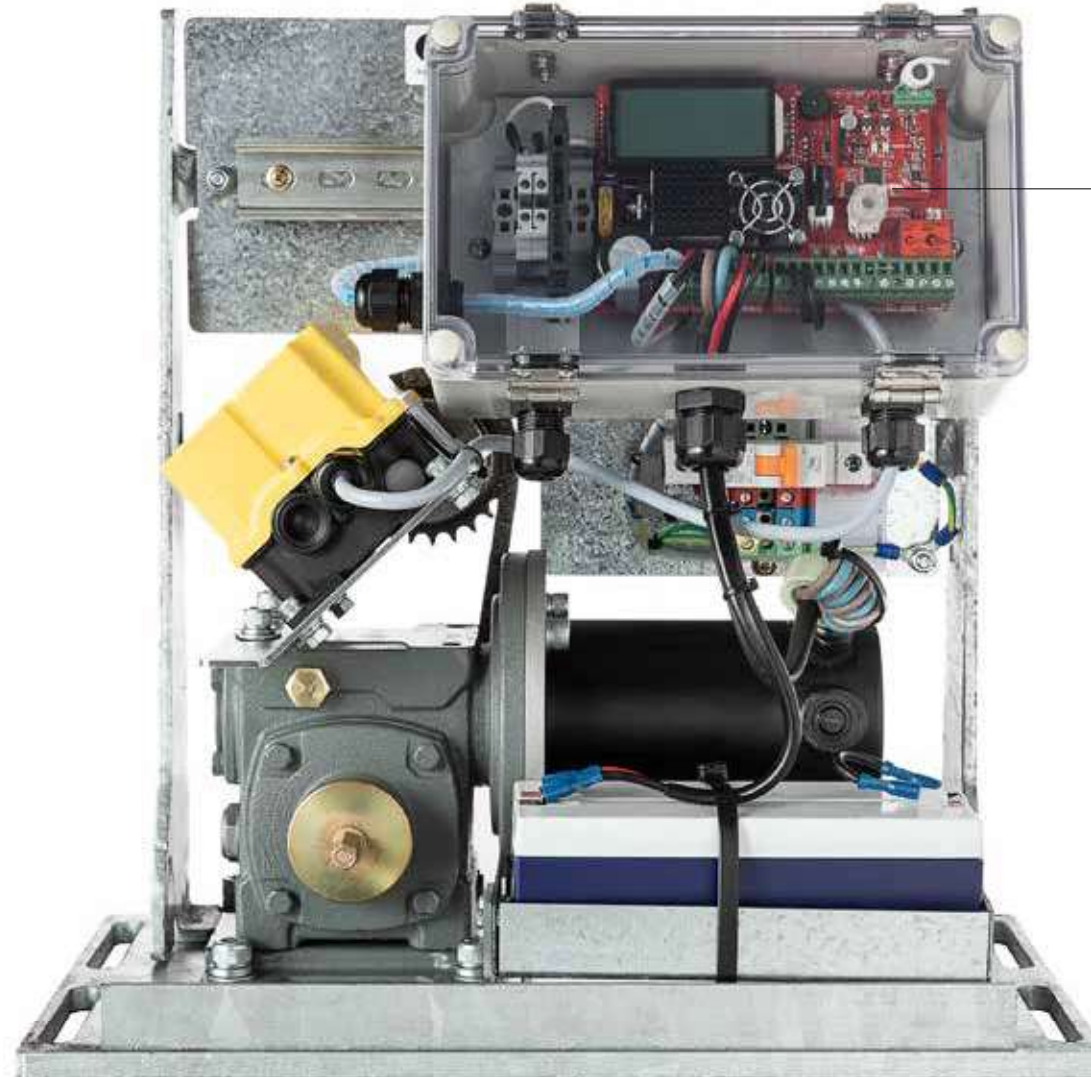
Low voltage sliding gate operators have been designed to fill a place in the market specifically for large industrial operators with low voltage requirements with main purpose for use on level ground track gates.

Low voltage sliding gate operators

- compact
- quick fitting
- high duty cycle
- inbuilt control panel with 24v supply and battery back up as standard
- variable ramp up, ramp down, DC drive with variable open and close speeds
- 316 stainless steel cover
- control board has the facility for
 - safety photo electric cells
 - induction loops
 - remote control
 - contacts available for other functionality



316 stainless steel cover



Inbuilt control panel with 24v supply and battery back up as standard

ACCESSORIES



A BUMP 1.5 KIT
Sensitive Edge Safety Strip High Mechanical edge/aluminium profile 1.5m in length.



FT 210 NICE
Optical device, with wireless transmitter to secure on movable leaf, horizontal adjustable through 210° and 30° vertically for an automation according to standards.



F 210 NICE
Synchronised photocells horizontally adjustable through 210° and 30° vertically -simply perfect installations.



A PE NIR-50 REFLECTIVE PE
12-24VDC
24-240VAC



RN6D
Heavy duty nylon rack 6 lugs down.



S BUZZER
12-24AC/DC



S CCT MCSV2
Elsema MCSv2 board
A circuit board to suit a range of low voltage applications.



A LD ULTRA DIN
Ultra DIN Loop Detector 9-30V DC (12-24vdc/24vac)
Application Loop Detectors for sensing traffic presence.



TX FOB43304
4 Channel Pentafob transmitter hardwearing and durable.
Application Use with receiver boards.



S LSW
50:1/100:1
Ravioli limit switch.

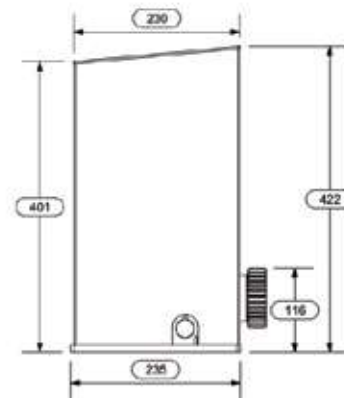
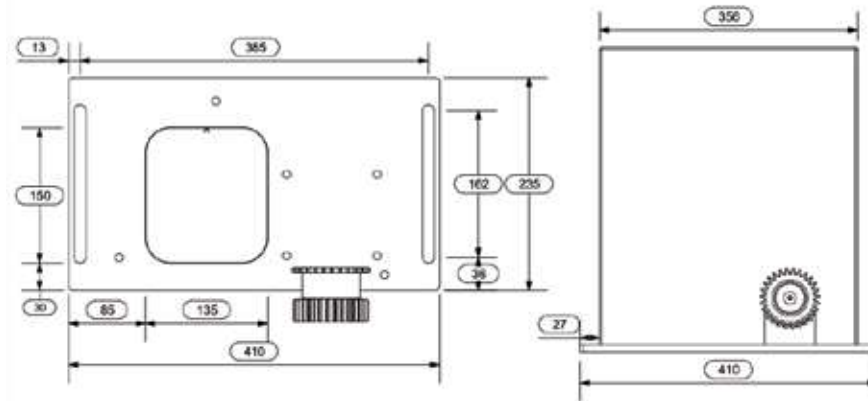


S WL AMBER
12-24VDC
24-240VAC

TECHNICAL SPECIFICATIONS

MODEL	GDS 230 LVL	GDS 450 LVL
Motor Power	24v 120w DC	24v 120w DC
Gate Size Max	600kg, 8m approx	500kg, 8m approx
Input Power	240v AC or low voltage inc solar	240v AC or low voltage inc solar
Speed	230mm/sec ramp up ramp down feature	450mm/sec ramp up ramp down feature
Duty Cycle	100%	100%
Battery Back Up	2 x 2.3 AH Batteries included	2 x 2.3 AH Batteries included
Control Board	Elsema MCSv2	Elsema MCSv2

DIMENSIONS



Sliding Gate Operators

GDS 315LI/450LI/630LI/940 PI

Single phase 240v inverter driven sliding gate operators are designed to provide the force and intensity of a 3 phase motor with the convenience of single phase input.

Sliding gate operators

- inverter driven with a powerful microprocessor control board which allows maximum functionality which means they are easily adjustable ramp up/ramp down, opening/closing speeds for the ultimate experience in gate automation
- fast emergency stopping feature with inbuilt easy limits
- 100% duty cycle
- cast iron industrial grade gearboxes



316 stainless steel cover

GDS 940 PI with smart inverter driven controls



GDS 630 LI with Teco inverter



ACCESSORIES



A BUMP 1.5 KIT
Sensitive Edge Safety Strip High Mechanical edge/aluminium profile 1.5m in length.



FT 210 NICE
Optical device, with wireless transmitter to secure on movable leaf, horizontal adjustable through 210° and 30° vertically for an automation according to standards.



F 210 NICE
Synchronised photocells horizontally adjustable through 210° and 30° vertically -simply perfect installations.



A PE NIR-50 REFLECTIVE PE
12-24VDC
24-240VAC



RN6D
Heavy duty nylon rack 6 lugs down.



TX FOB43304
4 Channel Pentafob transmitter hardwearing and durable.
Application
Use with receiver boards.



S CCT CB6
ATA Cb6 board
A circuit board to suit a range of 240 volt applications.



A LD ULTRA DIN
Ultra DIN Loop Detector 9-30V DC (12-24vdc/24vac)
Application
Loop Detectors for sensing traffic presence.



S .75KW WEG INVERTOR



S LSW
50:1/100:1
Ravioli limit switch.



S-F/L REL
Flashing light relay for CB6



S GSM G-2000
Elsema GSM



S WL AMBER
12-24VDC
24-240VAC



S .75Kw L510S
Teco inverter drive



S BUZZER
12-24AC/DC

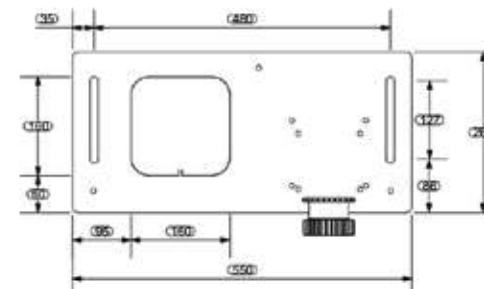
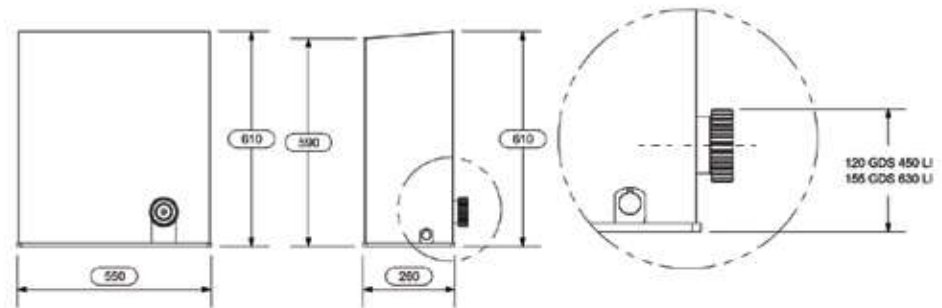


S POWER SUPPLY
240VAC-12VDC

TECHNICAL SPECIFICATIONS

MODEL	GDS 315	GDS 450	GDS 630	GDS 940
Motor Power	750w	550w	750w	750w
Gate Speed (approx)	315mm/sec	450mm/sec	630mm/sec	940mm/sec
Input Power	240v 10A	240v 10A	240v 10A	240v 10A
Linear Force	up to 200kg	up to 80kg	up to 100kg	up to 100kg
Gate Weight	3500kg	800kg	2000kg	1000kg

DIMENSIONS



Sliding Gate Operators

GDS 315/450/630 L

Single phase or 240v inverter driven sliding gate operators are designed to provide the force and intensity of a 3 phase motor with the convenience of single phase input.

Sliding gate operators

- inverter driven with a powerful microprocessor control board which allows maximum functionality which means they are easily adjustable ramp up/ramp down, opening/closing speeds for the ultimate experience in gate automation
- fast emergency stopping feature with inbuilt easy limits
- 100% duty cycle
- Cast iron industrial grade gearboxes



industrially powder coated cover



Cast iron industrial grade gearboxes



316 stainless steel cover



Remotely mounted control panel for ease of installation

ACCESSORIES



A BUMP 1.5 KIT
Sensitive Edge Safety Strip High Mechanical edge/aluminium profile 1.5m in length.



FT 210 NICE
Optical device, with wireless transmitter to secure on movable leaf, horizontal adjustable through 210° and 30° vertically for an automation according to standards.



F 210 NICE
Synchronised photocells horizontally adjustable through 210° and 30° vertically -simply perfect installations.



A PE NIR-50 REFLECTIVE PE
12-24VDC
24-240VAC



RN6D
Heavy duty nylon rack 6 lugs down.



TX FOB43304
4 Channel Pentafob transmitter hardwearing and durable.
Application
Use with receiver boards.



S CCT CB6
ATA Cb6 board
A circuit board to suit a range of 240 volt applications.



A LD ULTRA DIN
Ultra DIN Loop Detector 9-30V DC (12-24vdc/24vac)
Application
Loop Detectors for sensing traffic presence.



S .75KW WEG INVERTOR



S LSW
50:1/100:1
Ravioli limit switch.



S-F/L REL
Flashing light relay for CB6



S GSM G-2000
Elsema GSM



S WL AMBER
12-24VDC
24-240VAC



S BUZZER
12-24AC/DC

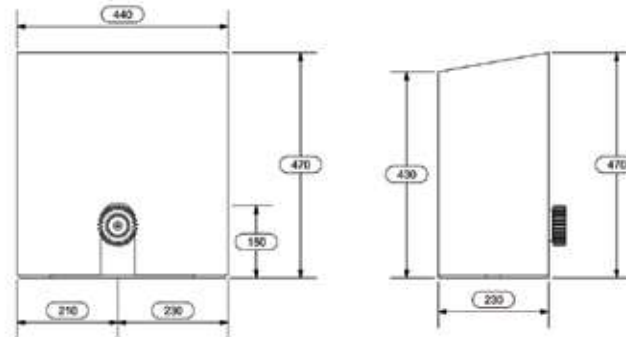
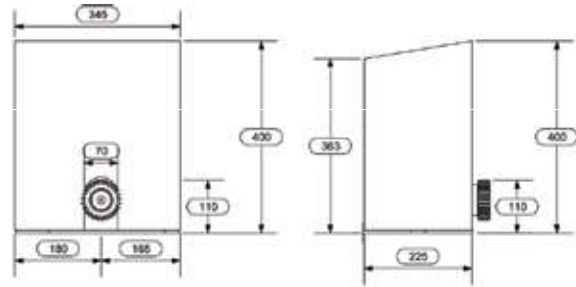


S POWER SUPPLY
240VAC-12VDC

TECHNICAL SPECIFICATIONS

MODEL	GDS 315	GDS 450	GDS 630
Motor Power	750w	550w	750w
Gate Speed (approx)	315mm/sec	450mm/sec	630mm/sec
Input Power	240v 10A	240v 10A	240v 10A
Linear Force	up to 200kg	up to 80kg	up to 100kg
Gate Weight	3500kg	800kg	2000kg

DIMENSIONS



Chain Sliders

GDS 630CH HD (HEAVY DUTY), GDS 630 CH

Single phase 240v inverter and chain driven sliding gate operators are designed to provide the force and intensity of a 3 phase motor with the convenience of single phase input. Chain Sliders are perfect for uneven ground, long/heavy gates (approx. 2 tonnes) that bending may occur during hot weather.

Chain sliders

- inverter driven with a powerful microprocessor control board which allows maximum functionality which means they are easily adjustable ramp up/ramp down, opening/closing speeds for the ultimate experience in gate automation
- 100% duty cycle
- cast iron industrial grade gearboxes



Industrially powder coated cover



Smart inverters for functionality

ACCESSORIES



A BUMP 1.5 KIT
Sensitive Edge Safety Strip High Mechanical edge/aluminium profile 1.5m in length.



FT 210 NICE
Optical device, with wireless transmitter to secure on movable leaf, horizontal adjustable through 210° and 30° vertically for an automation according to standards.



F 210 NICE
Synchronised photocells horizontally adjustable through 210° and 30° vertically -simply perfect installations.



A PE NIR-50 REFLECTIVE PE
12-24VDC
24-240VAC



RN6D
Heavy duty nylon rack 6 lugs down.



TX FOB43304
4 Channel Pentafob transmitter hardwearing and durable.
Application
Use with receiver boards.



S CCT CB6
ATA Cb6 board
A circuit board to suit a range of 240 volt applications.



A LD ULTRA DIN
Ultra DIN Loop Detector 9-30V DC (12-24vdc/24vac)
Application
Loop Detectors for sensing traffic presence.



S .75Kw WEG INVERTOR



S .75Kw L510S
Teco inverter drive



S-F/L REL
Flashing light relay for CB6



S GSM G-2000
Elsema GSM



S WL AMBER
12-24VDC
24-240VAC



S BUZZER
12-24AC/DC



S POWER SUPPLY
240VAC-12VDC

TECHNICAL SPECIFICATIONS

MODEL	GDS 630 CH	GDS 630 CH HD
Motor Power	750 w	1100 W
Gate Size Max	630mm/sec variable speed	630mm/sec variable speed
Input Power	240V 10A	240V-10A

TECHNICALITIES

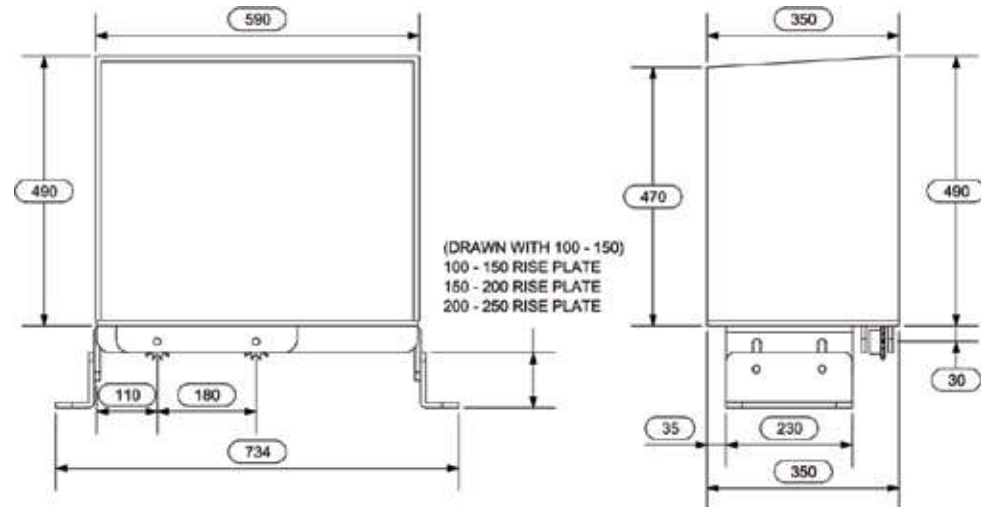
Includes chain mounting bracket and holders

It's recommended that chain supports are installed at a maximum of one metre apart

Unit is fixed by bolting the mounting plate with four M12 masonry anchor bolts

Chain sold separately

DIMENSIONS



Belt Drive

GDS 450/630 BELT, GDS 230/450 LVL BELT

Belt drive systems were developed for a specific need in the market.

Available exclusively through Nice Australia.

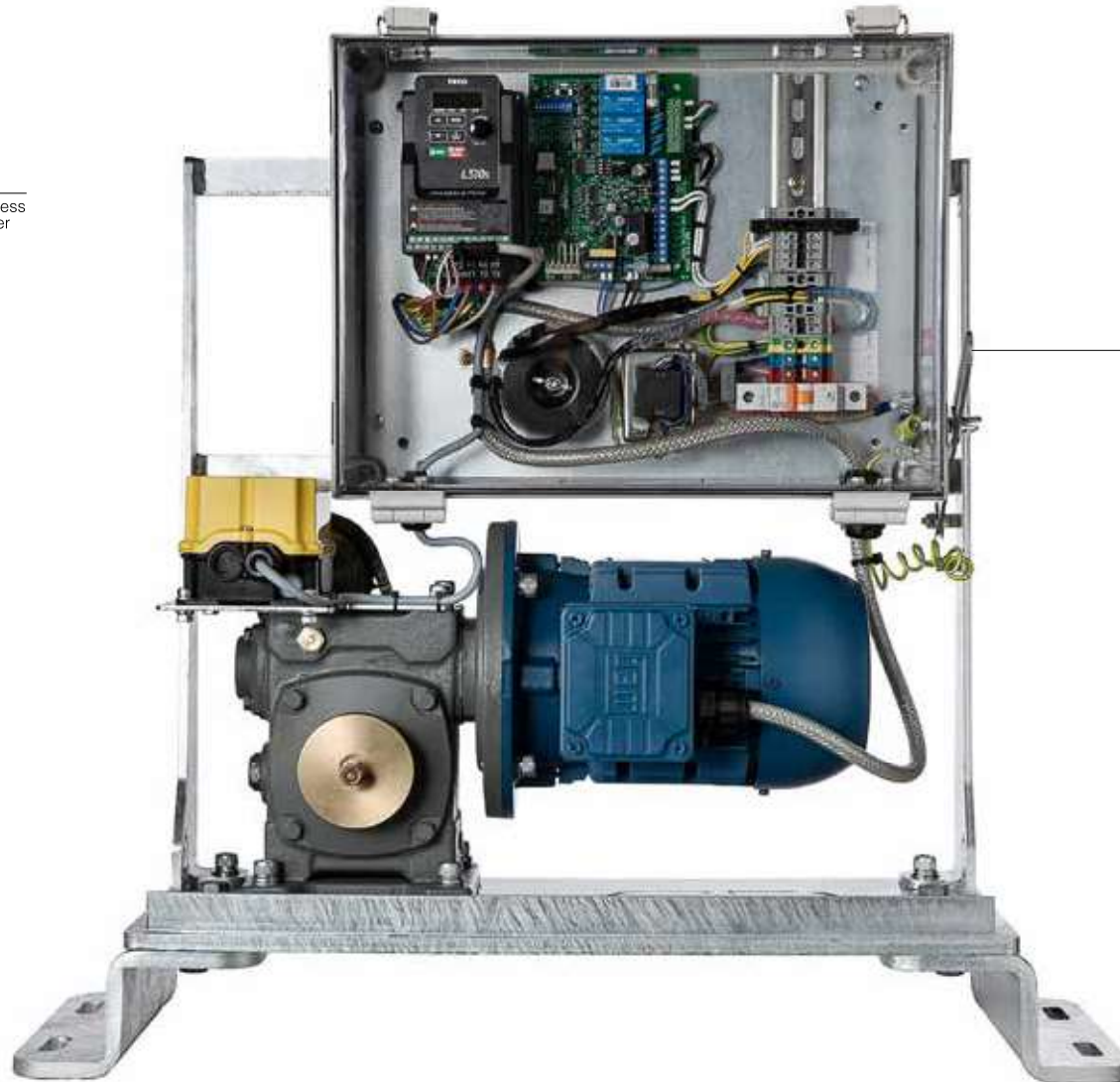
Belt drive systems combine the features of traditional rack and chain drive systems where regular maintenance is an issue.

Belt drive systems

- work at 100% efficiency regardless of the condition of the track or gate
- lubrication is not required for the life of the belt
- fitting is quick compared to traditional rack - alignment is far simpler



316 stainless steel cover



adjustable enclosure
easy access

ACCESSORIES



A BUMP 1.5 KIT
Sensitive Edge Safety Strip High Mechanical edge/aluminium profile 1.5m in length.



FT 210 NICE
Optical device, with wireless transmitter to secure on movable leaf, horizontal adjustable through 210° and 30° vertically for an automation according to standards.



F 210 NICE
Synchronised photocells horizontally adjustable through 210° and 30° vertically -simply perfect installations.



A PE NIR-50 REFLECTIVE PE
12-24VDC
24-240VAC



RN6D
Heavy duty nylon rack 6 lugs down.



TX FOB43304
4 Channel Pentafob transmitter hardwearing and durable. Application Use with receiver boards.



S CCT CB6
ATA Cb6 board A circuit board to suit a range of 240 volt applications.



A LD ULTRA DIN
Ultra DIN Loop Detector 9-30V DC (12-24vdc/24vac) Application Loop Detectors for sensing traffic presence.



S .75KW WEG INVERTOR



S .75Kw L510S
Teco inverter drive



S-F/L REL
Flashing light relay for CB6



S GSM G-2000
Elsema GSM



S WL AMBER
12-24VDC
24-240VAC



S BUZZER
12-24AC/DC



S POWER SUPPLY
240VAC-12VDC

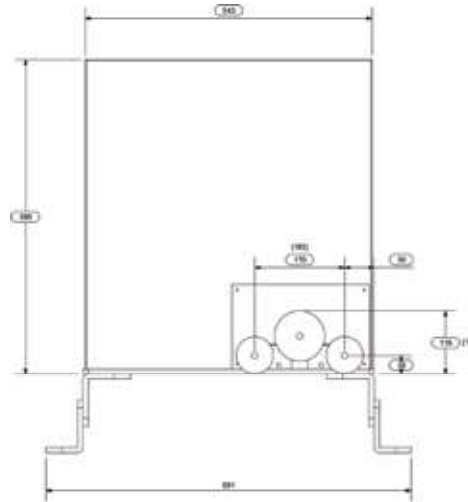
TECHNICAL SPECIFICATIONS

MODEL	GDS 450 BELT	GDS 630 BELT	GDS 230 LVL BELT	GDS 230 LVL BELT	GDS 630 HD BELT
Motor Power	550 w	750 w	24V 120 W	24V 120 W	750 W
Gate Speed (approx)	450mm/sec variable speed	300-630mm/sec variable speed	230mm/sec variable speed	450mm/sec variable speed	630mm/sec variable speed
Input Power	240V 10A	240V 10A	240V-24V	240V-24V	240V-10A

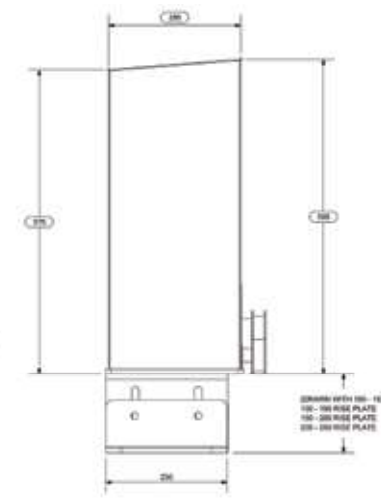
TECHNICALITIES

GDS 630I Belt recommended maximum 10m gate

DIMENSIONS



Numbers in brackets are for the GDS 630 Belt plate variations



BELT NOT INCLUDED WITH OPERATOR - QUANTITY REQUIRED DEPENDS ON LENGTH OF GATE: PLEASE ORDER BELT SEPARATELY

Note: All automation applications require external photo electric cell protection, induction loop and appropriate warning signs and/or devices.

Swing Gate Operators

GDS 4/6, GDS 4/6LV

Both LV and 240v swing gate operators have been designed for use in industrial applications such as prisons, electrical switch yards and government buildings where security and reliability and speed are important factors.

Swing Gate Operators

- utilise two industrial grade cast iron gear boxes with torque control
- override quick disconnect facility should mains fail
- the smart controls mounted in an IP65 stainless steel enclosure allows for variable ramp up, ramp down
- AC drive - variable open and close speeds
- DC drive - contactor/one speed
- 100% duty cycle
- cast iron gearbox with idler shaft
- control board has the facility for
 - safety photo electric cells
 - induction loops
 - remote control
 - contacts available for other functionality



316 stainless steel cover, mounting plate and articulated arms



Robust galvanised chassis



316 stainless steel cover



Remotely mounted control panel for ease of installation

Swing Gate Operators

GDS 7

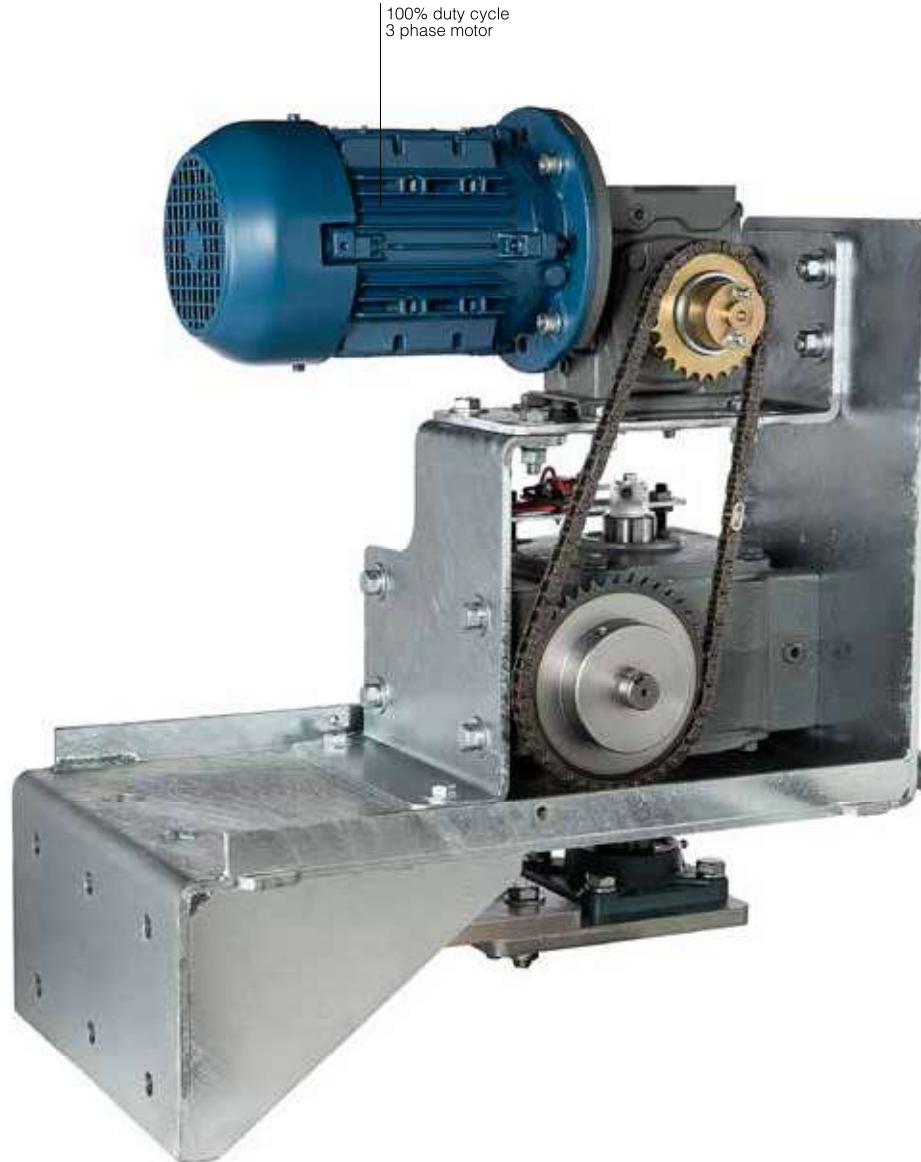
Both LV and 240v swing gate operators have been designed for use in industrial applications such as prisons, electrical switch yards and government buildings where security and reliability and speed are important factors.

Swing Gate Operators

- utilise two industrial grade cast iron gear boxes with torque control
- override quick disconnect facility should mains fail
- the smart controls mounted in an IP65 stainless steel enclosure allows for variable ramp up, ramp down
- AC drive - variable open and close speeds
- DC drive - contactor/one speed
- 100% duty cycle
- cast iron gearbox with idler shaft
- control board has the facility for
 - safety photo electric cells
 - induction loops
 - remote control
 - contacts available for other functionality



316 stainless steel cover, mounting plate and articulated arms



100% duty cycle 3 phase motor



316 stainless steel cover



Remotely mounted control panel for ease of installation

Swing Gate Operators

GDS 8

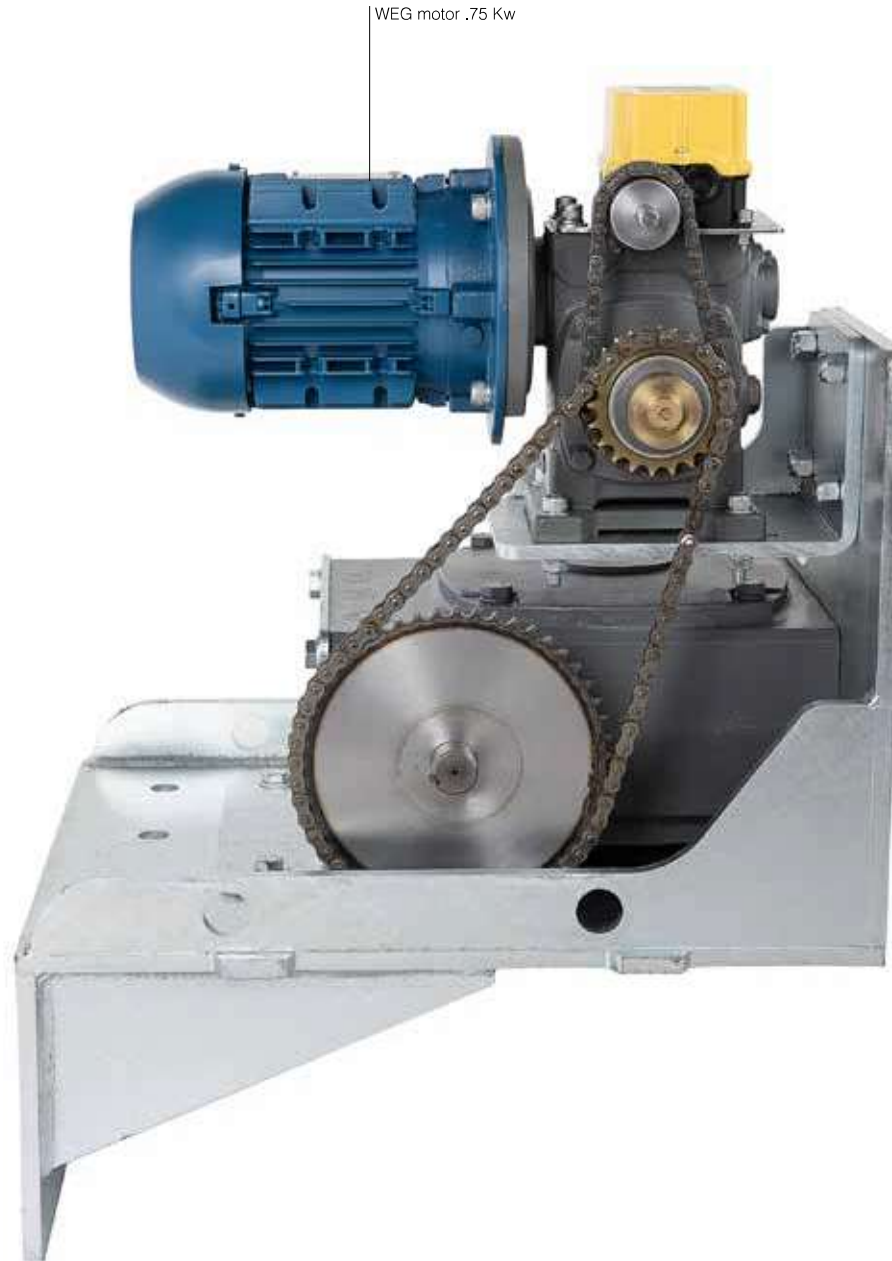
240v swing gate operators have been designed for use in industrial applications such as prisons, electrical switch yards and government buildings where security and reliability and speed are important factors.

Swing Gate Operators

- utilise two industrial grade cast iron gear boxes with torque control
- override quick disconnect facility should mains fail
- the smart controls mounted in an IP65 stainless steel enclosure allows for variable ramp up, ramp down
- 100% duty cycle
- cast iron gearbox with idler shaft
- control board has the facility for
 - safety photo electric cells
 - induction loops
 - remote control
 - contacts available for other functionality



316 stainless steel cover, mounting plate and articulated arms



WEG motor .75 Kw



316 stainless steel cover



Remotely mounted control panel for ease of installation

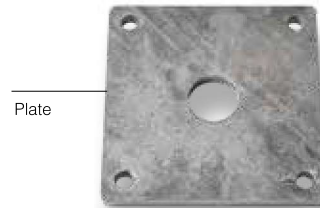
Drive Bolt

Entry level drive bolt

The Drive Bolt ensures secure locking during high wind or attempted forced entry.

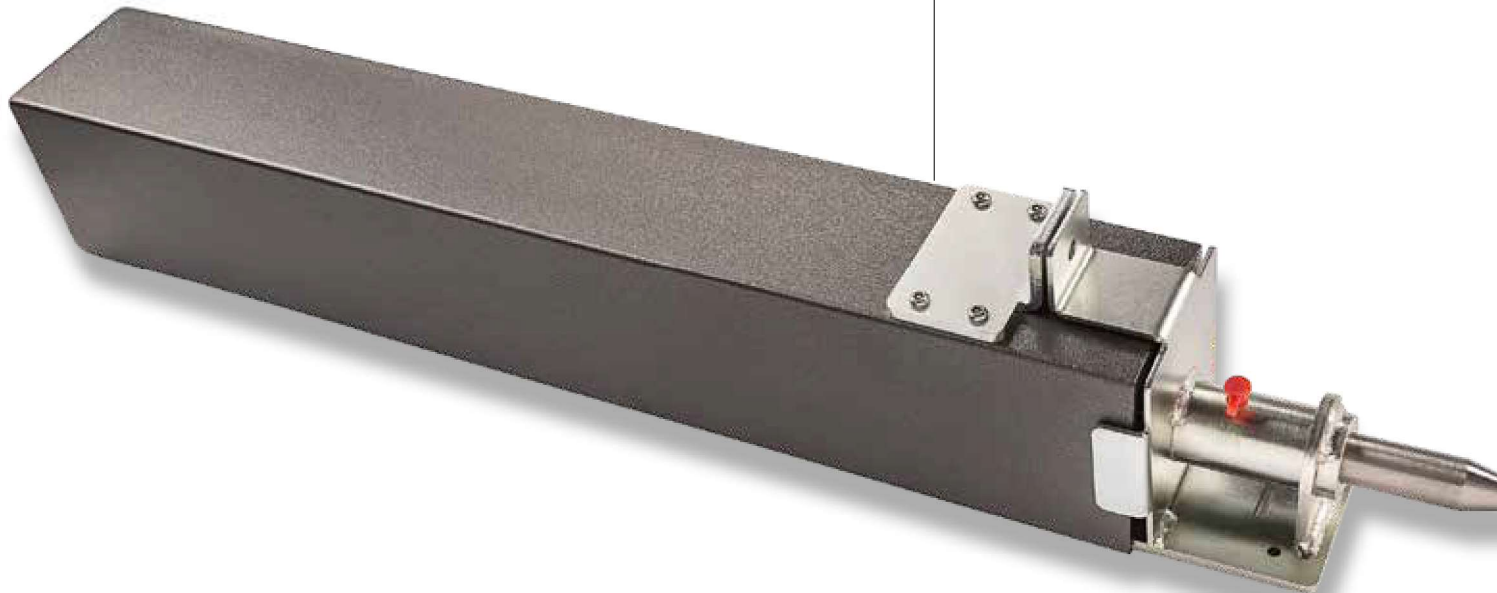
Drive bolt

- 24V DC operation to allow wiring directly to the control panel outputs
- sequencing with the gate through the control panel is automated to allow a four second delay after operation of the drive bolt to allow the gate to open
- can be used to lock the gate in the open or closed positions
- 25mm stainless steel (option of 40mm shaft)
- 130mm travel
- Unique override system will not allow the pin to jam and overload if the pin doesn't line up with the hole

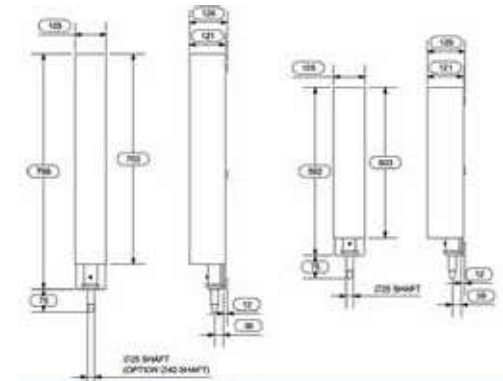


Plate

Sequencing with the gate through the control panel is automated to allow a four second delay after operation of the drive bolt to allow the gate to open



DIMENSIONS



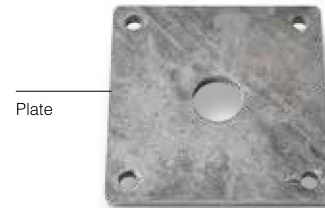
Drive Bolt/Slim

Drive bolt GDS DB slim

The Drive Bolt/Slim is designed for smaller gate frames - up to 50mm wide with a 50/130 travel length. The Drive Bolt ensures secure locking during high wind or attempted forced entry.

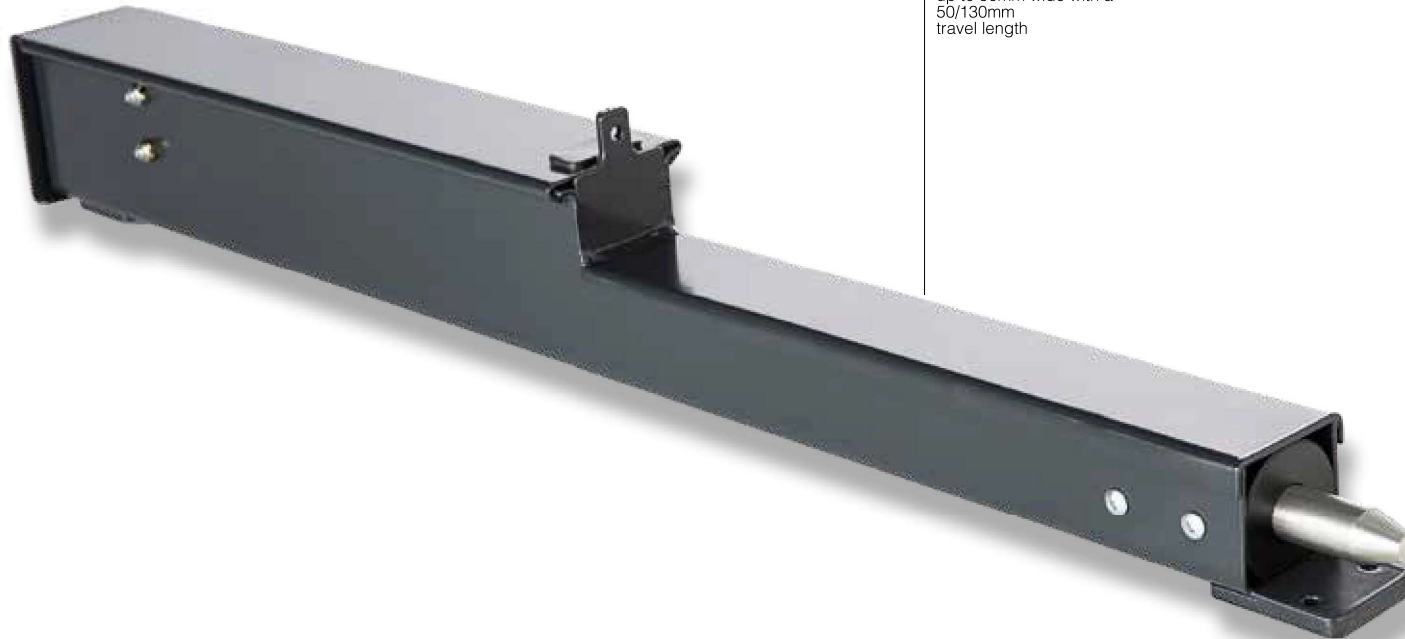
Drive bolt

- 24V DC operation to allow wiring directly to the control panel outputs
- sequencing with the gate through the control panel is automated to allow a four second delay after operation of the drive bolt to allow the gate to open
- can be used to lock the gate in the open or closed positions
- 25mm stainless steel (option of 40mm shaft)
- 50-130mm travel
- Unique override system will not allow the pin to jam and overload if the pin doesn't line up with the hole

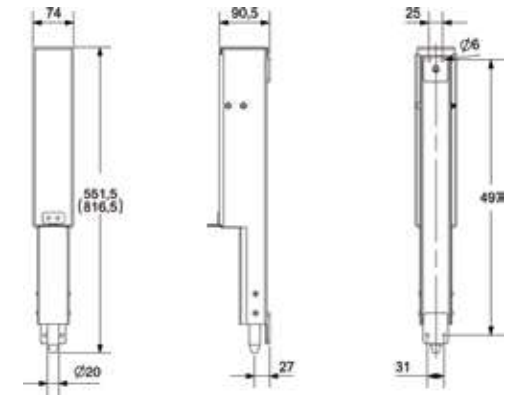


Plate

Designed for smaller gate frames - up to 50mm wide with a 50/130mm travel length



DIMENSIONS





SEASIDE COFFEE

newstyle

Phico



Barrier gate operator systems

GDS System

GDS Barrier	98	GDS Barrier Adjustable 4m-6m arm
-------------	----	----------------------------------

NiceBar System	100
----------------	-----

S-Bar	102
-------	-----

M-Bar	104
-------	-----

Accessories M-Bar	106
-------------------	-----

L-Bar	108
-------	-----

Accessories L-Bar	110
-------------------	-----

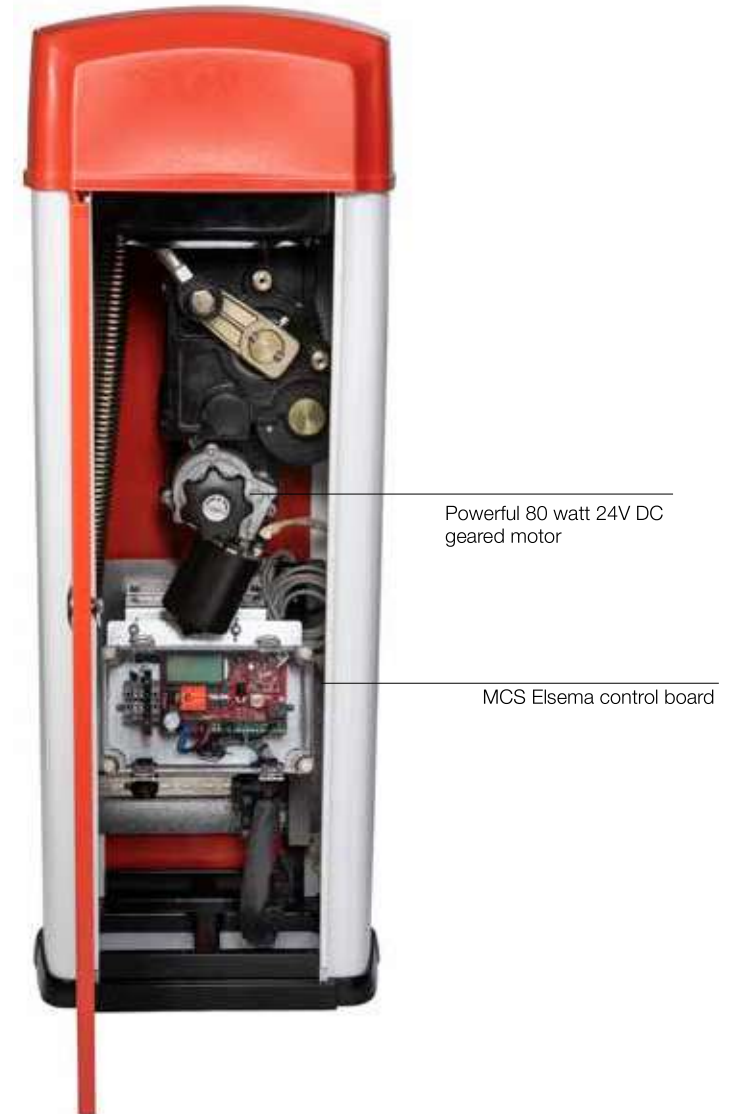
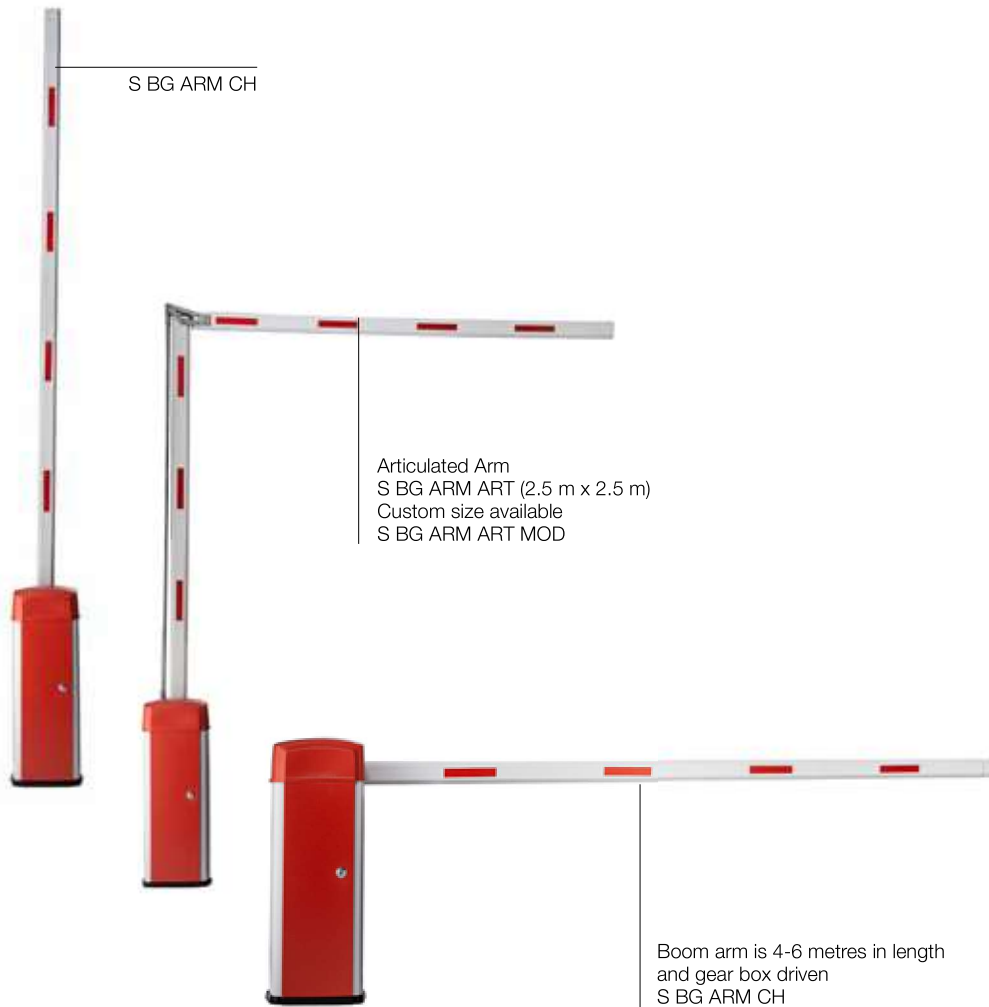
GDS Barrier

Adjustable 4m-6m arm

GDS boom barriers are designed with easy installation in mind. The boom barrier comes adjusted to customer requirements and boom arm positioning.

GDS Boom Barrier

- Powerful 80 watt 24V DC geared motor
- Boom arm is 4-6 metres in length and gear box driven
- controls allow for all standard applications such as:
 - photo-electric cells
 - loop detector
 - transmitters
 - keypads and key switches
 - access control systems and ticketing machines
 - battery back-up



ACCESSORIES



FT 210 NICE

Optical device, with wireless transmitter to secure on movable leaf, horizontal adjustable through 210° and 30° vertically for an automation according to standards.



F 210 NICE

Synchronised photocells horizontally adjustable through 210° and 30° vertically. Simply perfect installations.



A PE NIR-50 REFLECTIVE PE

12-24VDC
24-240VAC



A LD ULTRA DIN

Ultra DIN Loop Detector 9-30V DC (12-24vdc/24vac)

Application
Loop Detectors for sensing traffic presence.



TX FOB43304

4 Channel Pentafob transmitter
Hardwearing and durable.

Application
Use with receiver boards.



S CCT MCV2

Elsema MCV2 board for low voltage GDS 4/6 operators.

TECHNICAL SPECIFICATIONS

MODEL	GDS Boom adjustable 4m-6m arm
Power	24v 50Hz, or 24v DC, or Solar
Duty Cycle	Continuous - 100%
Weight	Base 60kg Arm 1.4kg/m

OPERATIONAL SPEED

6 seconds

OPERATIONAL TEMPERATURE RANGE

-15° to 60°

CONSTRUCTION

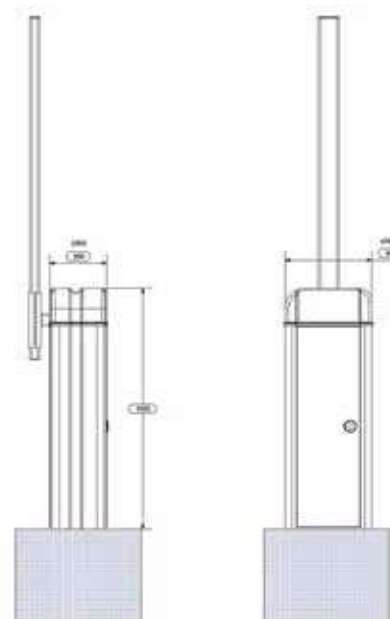
Both the drive system and control circuit are fixed to a rigid steel chasis and enclosed by a robust steel cover. The door may be easily opened for service. The cover has a standard white body with orange powder coat lid.

OPTIONAL

Grade 316 stainless steel cabinets

DIMENSIONS

Stainless steel model measurements shown in brackets



S/M/L Bar Barrier gate operators for all sizes

**High performing, reliable and durable.
Elegant, streamlined design.
Carefully selected materials.
Greater convenience, safety at all
times.**

Integrated solutions for all requirements.

Barrier gate operators to control road access to car parks, industrial, private and block of flats transit areas, including high traffic ones.

5 models in 3 standard versions, up to 7 modular bars from 3 to 9 m.

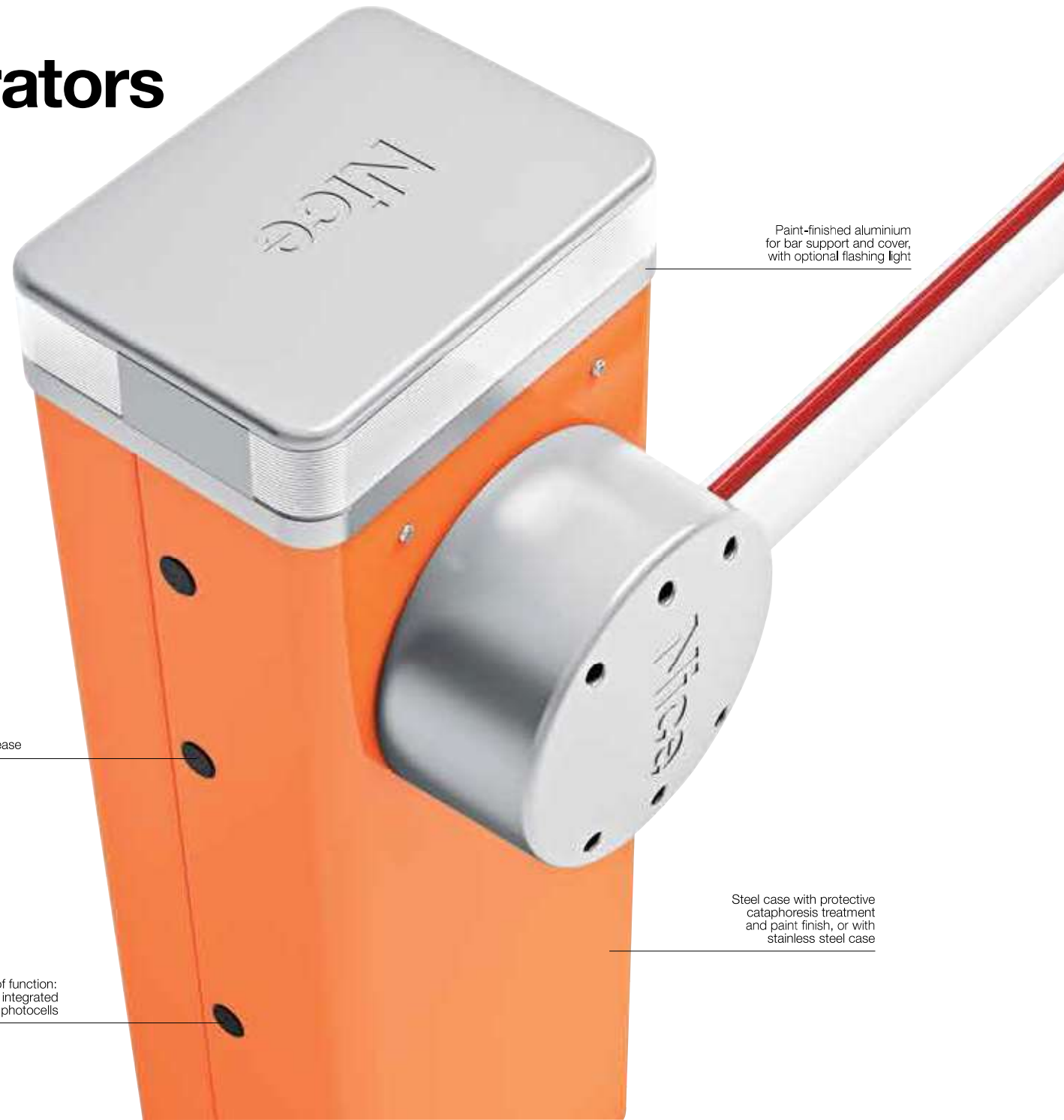
Easy transport and optimised management in the warehouse.

Nice key release

Tamper-proof function:
provision for integrated
assembly of photocells

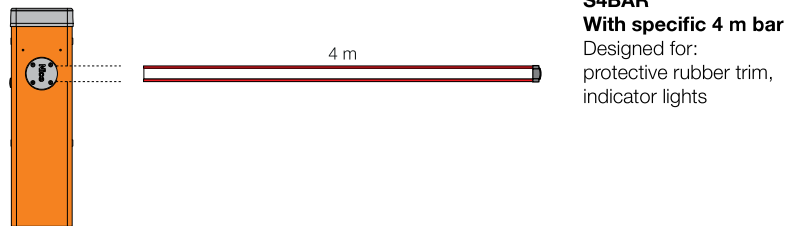
Paint-finished aluminium
for bar support and cover,
with optional flashing light

Steel case with protective
cataphoresis treatment
and paint finish, or with
stainless steel case

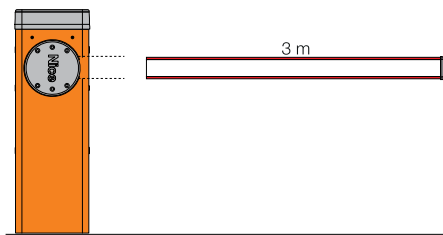


Selection guide, composition of bars and accessories

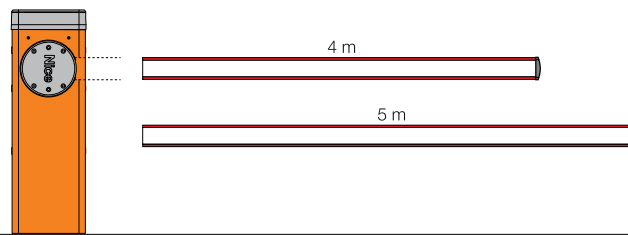
Bars and accessories are not included in the gear motor's code



S4BAR
With specific 4 m bar
 Designed for:
 protective rubber trim,
 indicator lights

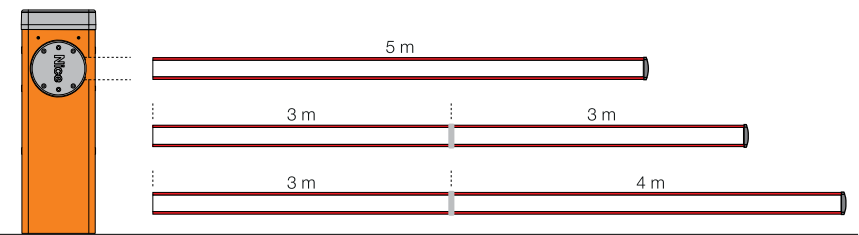


M3BAR
With 3 m bar
 Designed for:
 protective rubber trim,
 indicator lights



M5BAR
With 4 m bar
 Designed for:
 protective rubber trim,
 indicator lights,
 rack (1 pcs),
 mobile stand

With 5 m bar
 Designed for:
 protective rubber trim,
 indicator lights

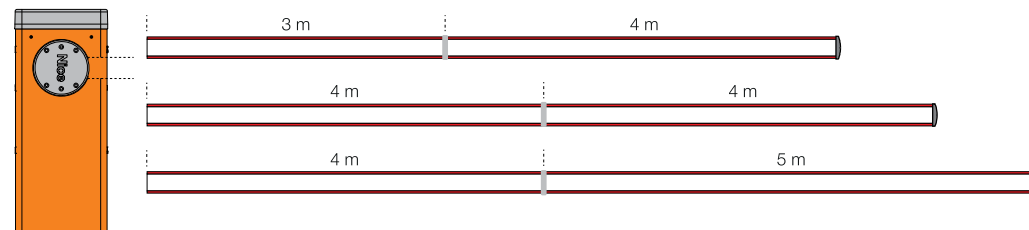


M7BAR
With 5 m bar
 Designed for:
 protective rubber trim,
 indicator lights,
 rack (2 pcs),
 mobile stand

With 6 m bar (3+3 m)*
 Designed for:
 protective rubber trim,
 indicator lights,
 rack (2 pcs),
 mobile stand

With 7 m bar (3+4 m)*
 Designed for:
 protective rubber trim,
 indicator lights

* Use XBA9 joint to assemble bars



L9BAR
With 7 m bar (3+4 m)*
 Designed for:
 protective rubber trim,
 indicator lights,
 rack (3 pcs),
 mobile stand

With 8 m bar (4+4 m)*
 Designed for:
 protective rubber trim,
 indicator lights,
 rack (3 pcs),
 mobile stand

With 9 m bar (4+5 m)*
 Designed for:
 protective rubber trim,
 indicator lights

* Use XBA9 joint to assemble bars

S-Bar

Electromechanical road barrier system for control of road access



For bar up to 4 m.

24 Vdc gear motor with built-in control unit.

Strength and reliability: tough steel structure, new robust balancing springs guaranteed to 500,000 cycles and elliptical section shaft with high resistance to gusts of wind.

Optional flashing or traffic light can be integrated in cover.

More comfort and safety in programming and maintenance phases: the separate enclosures for electronics and mechanics protect internal parts from potential risks.

Rapid and easy access to the control unit located in the upper section of the barrier body.

Simple fixture of the completely concealed photocells onto the specially designed seats on the barrier body.

More safety and reliability: obstacle detection and monitoring of motor absorption during automation movement.

Automatic fault diagnostics during operation with consequent signalling of fault type through specific flash sequences.

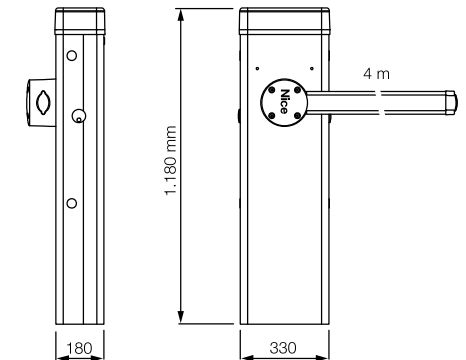
Provision for connection of latest generation optical and resistive sensitive edges (with 8.2 KOhm resistance).

Energy saving: the system sets to standby when not in use to save consumption.

No black out: emergency backup power with the optional batteries housed inside the case.

Release from side with Nice triangular key: can be installed on either side.

DIMENSIONS



COMMON ACCESSORIES



IBT4N
Interface for connecting the O-View programming unit.

Pc./Pack 1



IT4WIFI
Smart Wi-fi interface to manage gates and garage doors by smartphone ((Not compatible with the Solemyo kit and PS324).

Pc./Pack 1



XBA19
White paint-finished aluminium bar 45x58x4270 mm.

Pc./Pack 1



XBA20
Spare control unit, for S4BAR.

Pc./Pack 1



PS124
24 V battery with integrated battery charger.

Pc./Pack 1



XBA13
Rubber impact protection strip. Length 1 m.

Pc./Pack 9



WA10
Red adhesive reflector strips.

Pc./Pack 24



SIA1
nchorage base with clamps.

Pc./Pack 1



XBA7
Integrable flashing light.

Pc./Pack 1



XBA4
Indicator lights for click fixture on upper or lower side of bar. Length 4 m.

Pc./Pack 1



WA11
Adjustable stand for bars.

Pc./Pack 1



SOLEMYO KIT
The solar power to automate gates, garage doors or barrier gates.

See page 128.

IN ORDER TO HAVE A FULLY FUNCTIONAL BARRIER GATE OPERATOR SYSTEM:

1. CHOOSE THE GEAR MOTOR

2. SELECT THE BAR

3. COMPLETE THE SYSTEM WITH THE OPTIONAL ACCESSORIES

TECHNICAL SPECIFICATIONS

With bar up to 4 m, irreversible 230 Vac, 24 Vdc motor, with foundation plate:

Code	Description
S4BAR	With steel case with protective cataphoresis treatment and paint finish
S4BARI	With stainless steel case

Code	S4BAR	S4BARI
ELECTRICAL DATA		
Power supply (Vac 50/60 Hz)		230
Power supply (Vdc)		24
Absorption (A)		1
Power (W)		300
PERFORMANCE DATA		
Speed (s)		<4
Torque (Nm)		100
Work cycle (cycles/hour)*		100
DIMENSIONAL AND GENERAL DATA		
Protection level (IP)		44
Working temp. (°C Min/Max)		-20 ÷ +50
Dimensions (mm)		330x180x1180 h
Weight (kg)		46

COMPATIBILITY TABLE WITH CONTROL SYSTEMS AND ACCESSORIES

Code	receiver		transmitter				photocells								flashing light						
	Built-in*	OXI	ERA INTI	ERA ONE	ERA FLOR	NICEWAY	EPS	EPM	EPL	EPFB	EPMB	EPLB	EPMOW	EPMOR	F210	FT210	F210B	FT210B	ELAC	ELDC	WLT
S4BAR		•	•	•	•	•					•	•	•	•				•		•	•
S4BARI		•	•	•	•	•					•	•	•	•				•		•	•

* Radio receiver incompatible with Opera system

M-Bar

Electromechanical road barrier system for control of road access

For bars up from 3 to 7 m.

24 Vdc gear motor with built-in control unit.

Simplified programming: control unit with display and joystick to make setting operating parameters even faster.

The control unit has an output to power 24 Vdc devices and two inputs to control loop detectors with the LP21 and LP22 accessories.

Modular: bars are easily assembled using the aluminium expansion joint.

Possibility for intelligent control of two opposing automations thanks to **"master/slave" function**.

Strength and reliability: tough steel structure, new robust balancing springs guaranteed to 2,000,000 cycles and elliptical section shaft with high resistance to gusts of wind.

Optional flashing or traffic light can be integrated in cover.

Encoder movement control and electromechanical limit switches.

More comfort and safety in programming and maintenance phases: the separate enclosures for electronics and mechanics protect internal parts from potential risks.

Rapid and easy access to the control unit located in the upper section of the barrier body.

Simple fixture of the completely concealed photocells onto the specially designed seats on the barrier body.

More safety and reliability: obstacle detection and monitoring of motor absorption during automation movement.

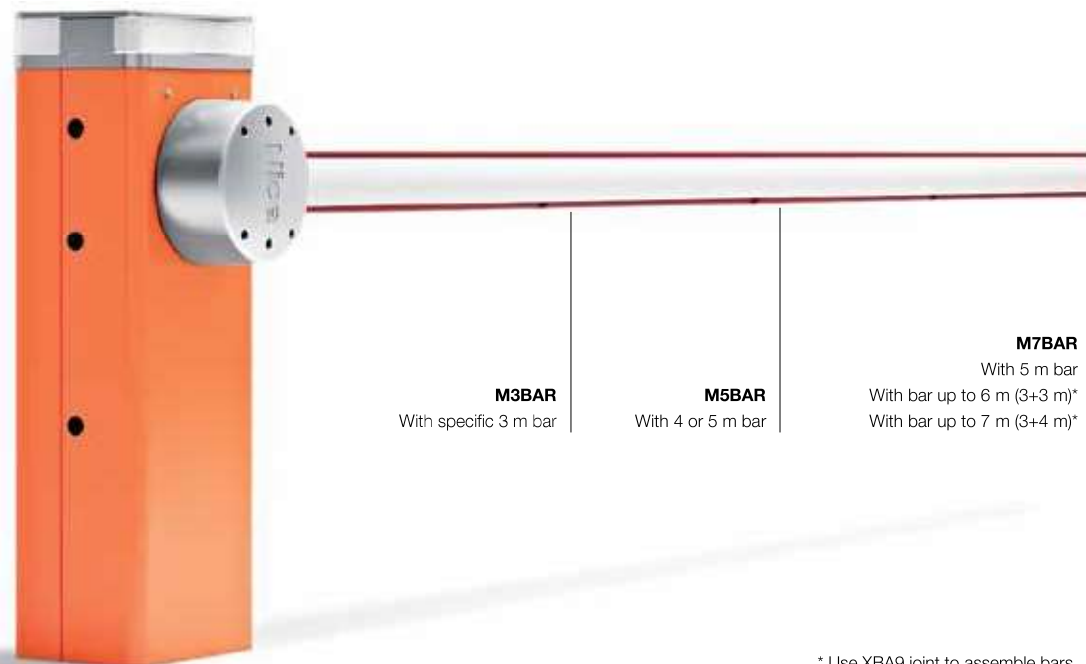
Automatic fault diagnostics during operation with consequent signalling of fault type through specific flash sequences.

Provision for connection of latest generation optical and resistive sensitive edges (with 8.2 KOhm resistance).

Energy saving: the system sets to standby when not in use to save consumption.

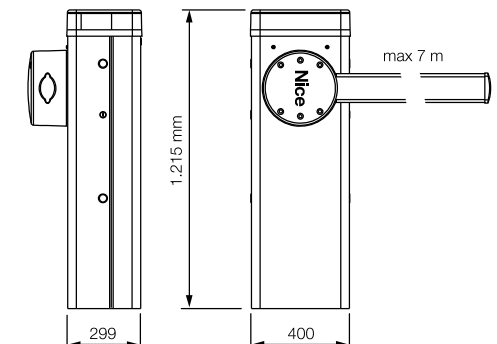
No black out: with the optional batteries (PS224) housed inside the gear motor.

Release from side with metal key: can be installed on either side.



* Use XBA9 joint to assemble bars.

DIMENSIONS



COMMON ACCESSORIES



IBT4N
Interface for connecting the O-View programming unit.
Pc./Pack 1



IT4WIFI
Smart Wi-fi interface to manage gates and garage doors by smartphone. (Not compatible with the Solemyo kit and PS324)
Pc./Pack 1



BCU1
Spare control unit.
Pc./Pack 1



PS224
24 Vdc buffer batter.
Pc./Pack 1



LP21
Magnetic loop detector 1 channel.
Pc./Pack 1



LP22
Magnetic loop detector 2 channels.
Pc./Pack 1



SOLEMYO KIT
The solar power to automate gates, garage doors or barrier gates.
See page 128.

IN ORDER TO HAVE A FULLY FUNCTIONAL BARRIER GATE OPERATOR SYSTEM:

1. CHOOSE THE GEAR MOTOR

2. SELECT THE BAR

3. COMPLETE THE SYSTEM WITH THE OPTIONAL ACCESSORIES

TECHNICAL SPECIFICATIONS

With bar up to 3 m, irreversible 230 Vac, 24 Vdc motor, with foundation plate:

Code	Description
M3BAR	With steel case with protective cataphoresis treatment and paint finish. For intensive use
M3BARI	With stainless steel case

With bar up to 4 or 5 m, irreversible 230 Vac, 24 Vdc motor, with foundation plate:

Code	Description
M5BAR	With steel case with protective cataphoresis treatment and paint finish. For intensive use
M5BARI	With stainless steel case

With bar up to 5, 6 or 7 m, irreversible 230 Vac, 24 Vdc motor, with foundation plate:

Code	Description
M7BAR	With steel case with protective cataphoresis treatment and paint finish
M7BARI	With stainless steel case

Code	M3BAR	M3BARI	M5BAR	M5BARI	M7BAR	M7BARI
ELECTRICAL DATA						
Power supply (Vac 50/60 Hz)				230		
Power supply (Vdc)				24		
Absorption (A)	1.3		1.1		1.1	
Power (W)	150		110		110	
PERFORMANCE DATA						
Speed min. -max. (s)	1.5 ÷ 4		3 ÷ 6		6 ÷ 10	
Torque (Nm)	100		200		300	
Work cycle (cycles/hour)	600		450		200	
DIMENSIONAL AND GENERAL DATA						
Protection level (IP)				54		
Working temp. (°C Min/Max)				-20 ÷ +55		
Dimensions (mm)				400x299x1215 h		
Weight (kg)				80		85

COMPATIBILITY TABLE WITH CONTROL SYSTEMS AND ACCESSORIES

Code	receiver		transmitter				photocells								flashing light						
	Built-in*	OXI	ERA INTI	ERA ONE	ERA FLOR	NICEWAY	EPS	EPM	EPL	EPSB	EPMB	EPLB	EPMOV	EPMDR	F210	FT210	F210B	FT210B	ELAC	ELDC	WLT
M3BAR / M3BARI		•	•	•	•	•				•	•	•	•	•					•	•	•
M5BAR / M5BARI		•	•	•	•	•				•	•	•	•	•					•	•	•
M7BAR / M7BARI		•	•	•	•	•				•	•	•	•	•					•	•	•

* Radio receiver incompatible with Opera system

Accessories M-Bar

COMMON ACCESSORIES



XBA13
Rubber impact protection strip. Length 1 m.

Pc./Pack 9



WA10
Red adhesive reflector strips.

Pc./Pack 24



XBA8
Integragle traffic light.

Pc./Pack 1



XBA7
Integragle flashing light.

Pc./Pack 1



XBA16
nchorage base with clamps.

Pc./Pack 1



WA11
Adjustable stand for bars.

Pc./Pack 1

BARS FOR M3BAR

ACCESSORIES FOR M3BAR



XBA15
White paint-finished aluminium bar 69x92x3150 mm.

Pc./Pack 1



XBA4
Indicator lights for click fixture on upper or lower side of bar. Length 4 m.

Pc./Pack 1



XBA10
Pivot joint for bars up to 4 m.

Pc./Pack 1



XBA11
Joint for bars (from 1950 mm to 2400 mm).

Pc./Pack 1

BARS FOR M5BAR



XBA14
White paint-finished
aluminium bar
69x92x4150 mm.

Pc./Pack 1



XBA5
White paint-finished
aluminium bar
69x92x5150 mm.

Pc./Pack 1

ACCESSORIES FOR M5BAR



XBA4
Indicator lights for click
fixture on upper or
lower side of bar.
Length 4 m.

Pc./Pack 1



XBA6
Indicator lights for click
fixture on upper or
lower side of bar.
Length 6 m.

Pc./Pack 1



XBA10
Pivot joint for bars up
to 4 m.

Pc./Pack 1



XBA11
Joint for bars (from
1950 mm to 2400 mm).

Pc./Pack 1



WA12
Mobile stand for bars
- new fully reinforced
version.

Pc./Pack 1



WA13
Aluminium rack up to
2 m.

Pc./Pack 1

BARS FOR M7BAR



XBA15
White paint-finished
aluminium bar
69x92x3150 mm.

Pc./Pack 1



XBA14
White paint-finished
aluminium bar
69x92x4150 mm.

Pc./Pack 1



XBA5
White paint-finished
aluminium bar
69x92x5150 mm.

Pc./Pack 1



XBA9
Expansion joint.

Pc./Pack 1



XBA6
Indicator lights for click
fixture on upper or
lower side of bar.
Length 6 m.

Pc./Pack 1



XBA18
Indicator lights for click
fixture on upper or
lower side of bar.
Length 8 m.

Pc./Pack 1



WA12
Mobile stand for bars
- new fully reinforced
version.

Pc./Pack 1



WA13
Aluminium rack up to
2 m.

Pc./Pack 1

L-Bar

Electromechanical road barrier system for control of road access



Powerful and fast, for bars from 7 to 9 m.

24 Vdc gear motor with built-in control unit.

Simplified programming: control unit with display and joystick to make setting operating parameters even faster.

The control unit has an output to power 24 Vdc devices and two inputs to control loop detectors with the LP21 and LP22 accessories.

Modular: bars are easily assembled using the aluminium expansion joint.

Possibility for intelligent control of two opposing automations thanks to **“master/slave” function.**

Strength and reliability: tough steel structure, new robust balancing springs guaranteed to 2,000,000 cycles and elliptical section shaft with high resistance to gusts of wind.

Optional flashing or traffic light can be integrated in cover.

Encoder movement control and electromechanical limit switches.

More comfort and safety in programming and maintenance phases: the separate enclosures for electronics and mechanics protect internal parts from potential risks.

Rapid and easy access to the control unit located in the upper section of the barrier body.

Simple fixture of the completely concealed photocells onto the specially designed seats on the barrier body.

More safety and reliability: obstacle detection and monitoring of motor absorption during automation movement.

Automatic fault diagnostics during operation with consequent signalling of fault type through specific flash sequences.

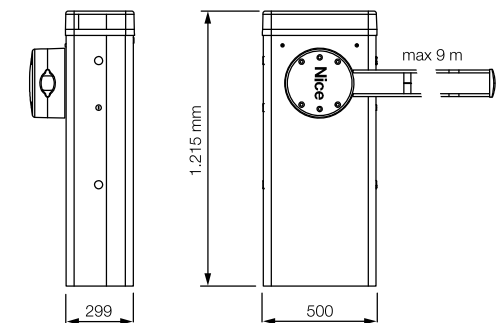
Provision for connection of latest generation optical and resistive sensitive edges (with 8.2 KOhm resistance).

Energy saving: the system sets to standby when not in use to save consumption.

No black out: with the optional batteries (PS224) housed inside the gear motor.

Release from side with metal key: can be installed on either side.

DIMENSIONS



COMMON ACCESSORIES



IBT4N
Interface for connecting the O-View programming unit.

Pc./Pack 1



IT4WIFI
Smart Wi-fi interface to manage gates and garage doors by smartphone. (Not compatible with the Solemyo kit and PS324)

Pc./Pack 1



BCU1
Spare control unit with inbuilt loop detection contacts.

Pc./Pack 1



PS224
24 Vdc buffer batter.

Pc./Pack 1



LP21
Magnetic loop detector 1 channel.

Pc./Pack 1



LP22
Magnetic loop detector 2 channels.

Pc./Pack 1

IN ORDER TO HAVE A FULLY FUNCTIONAL BARRIER GATE OPERATOR SYSTEM:

1. CHOOSE THE GEAR MOTOR

2. SELECT THE BAR

3. COMPLETE THE SYSTEM WITH THE OPTIONAL ACCESSORIES

TECHNICAL SPECIFICATIONS

With bar up to 9 m, irreversible 230 Vac, 24 Vdc motor, with foundation plate:

Code	Description
L9BAR	With steel case with protective cataphoresis treatment and paint finish
L9BARI	With stainless steel case

Code	L9BAR	L9BARI
ELECTRICAL DATA		
Power supply (Vac 50/60 Hz)		230
Power supply (Vdc)		24
Absorption (A)		1.3
Power (W)		160
PERFORMANCE DATA		
Speed min. ÷ max. (s)		8 ÷ 12
Torque (Nm)		400
Work cycle (cycles/hour)		150
DIMENSIONAL AND GENERAL DATA		
Protection level (IP)		54
Working temp. (°C Min/Max)		-20 ÷ +55
Dimensions (mm)		500x299x1215 h
Weight (kg)		98

COMPATIBILITY TABLE WITH CONTROL SYSTEMS AND ACCESSORIES

Code	receiver		transmitter				photocells								flashing light						
	Built-in*	OXI	ERA INTI	ERA ONE	ERA FLOR	NICEWAY	EPS	EPM	EPL	EFSB	EPMB	EPLB	EPMOW	EPMOR	F210	FT210	F210B	FT210B	ELAC	ELDC	WLT
L9BAR / L9BARI		•	•	•	•	•					•	•	•	•			•	•		•	•

* Radio receiver incompatible with Opera system

Accessories L-Bar

BARS



XBA15
White paint-finished
aluminium bar
69x92x3150 mm.

Pc./Pack 1



XBA14
White paint-finished
aluminium bar
69x92x4150 mm.

Pc./Pack 1



XBA5
White paint-finished
aluminium bar
69x92x5150 mm.

Pc./Pack 1



XBA9
Expansion joint.

Pc./Pack 1



XBA18
Indicator lights for click
fixture on upper or
lower side of bar.
Length 8 m.

Pc./Pack 1



XBA8
Integrable traffic light.

Pc./Pack 1



XBA7
Integrable flashing light.

Pc./Pack 1



XBA13
Rubber impact
protection strip. Length
1 m.

Pc./Pack 9



WA10
Red adhesive reflector
strips.

Pc./Pack 24



WA13
Aluminium rack up to
2 m.

Pc./Pack 1



XBA17
nchorage base with
clamps.

Pc./Pack 1



WA12
Mobile stand for bars
- new fully reinforced
version.

Pc./Pack 1



WA11
Adjustable stand for
bars.

Pc./Pack 1





1	2	3	A
4	5	6	B
7	8	9	C
●	0	Nice	

Accessories



Safety and access control equipment - photocells, key-operated and digital selector switches and transponder readers	114	The range
	116	Era Photocell M
	118	Era Photocell L
	120	Era Keypad
	122	Era Key switch
	123	Era Transponder reader
	124	Era Post
<hr/>		
Flashing lights	126	Era Light
	127	Wallyght
<hr/>		
Wireless accessory system	128	Nice Solemyo
<hr/>		
Photocells and safety devices	130	FT210
	131	F210
<hr/>		
Key-operated selector	132	Kio
	132	Kiomini
<hr/>		

Nice Era photocells, selectors & proximity reader

The Nice generation of optical devices for automation safety, available with Nice BlueBUS technology for a simplified installation

Three different sizes of photocells synchronized to meet any need and complete the safety and comfort of every automation system, also in the tightest spaces, perfect for use with renovations to cover annoying existing set-ups.

> SLIM

With only 30 mm width, also in burglar-proof version, ideal for tight spaces.



> MEDIUM

In anti-intrusion, reflective, wireless and positionable versions, ideal for the most common systems.



> LARGE

Positionable, also in versions for recessed mounting with 9 mm projection, ideal for concealed installations.



> ERA KEYPAD

Extremely strong metal body, 27 millimetres depth and only 13 mm from the wall for the recessed mounting version.



DIGITAL SELECTOR WIRELESS (EDSWG)

Digital selector in burglar-resistant version 13 keys.



DIGITAL SELECTORS (EDS)

Digital selector in burglar-resistant version for outdoor and recessed installation.

> ERA KEY

Wafer thin, only 13 millimetres depth from the wall in the recessed versions.



KEY SELECTORS WITH EUROPEAN CYLINDER (EKSU)

Key selectors in version for outdoor or recessed mounting.



KEY SELECTORS WITH STANDARD CYLINDER (EKS)

Key selectors in version for outdoor or recessed mounting.

> ERA TRANSPONDER READER

Transponder proximity reader for cards and badges with customized programming.



PROXIMITY READERS (ETP)

Proximity readers for card and badge reading.



Transponder BADGE

Convenient transponder badge with a practical through hole to add the key chain on.

Era Photocell M

Synchronized photocells Medium, fixed or positionable, also with Nice BlueBUS technology

Available in anti-intrusion, reflective and wireless versions.

Safe: D type device according to specification EN12453 which allows to pick-up obstacles on the optical axis between transmitter (TX) and receiver (RX).

Using the fototest function it is possible to achieve class 2 safety fault according to specification EN 954-1.

Antiglare circuit which eliminates possible sunlight interference.

Fast easy installation: the wireless technology (EPMOW) eliminates the need to wire the photocells to the control unit and provide routing and cable ducts. The devices interface with the control unit through an ultra-compact dedicated module (IBW) which can be housed directly in the motor or the control unit if separate. Up to 7 devices with Nice BlueBUS technology can be connected to the same IBW interface.

Thanks to the reflective technology (EPMOR), just the main photocell needs to be wired and not the reflective mirror, saving time.

Built in LED light in the EPMOR version: the optional ELMM LED light module can be installed in the EPMOR photocell to light the transit area, act as a flashing light or provide diagnostic information.

Universal system: EPMOR has a relay output for connection to any new or existing automation system.

Simplified maintenance: EPMOW photocells have a diagnostic LED which indicates possible anomalies and battery status, facilitating installation and maintenance.

Practical: 10° angle of reception. The positionable versions allow for the compensation of centering gaps up to 30°.

Resistant and vandal-proof: ABS body resistant to weather conditions, available also in burglar-resistant version with metal shell.

Nice BlueBUS technology: available with the BlueBUS system, which allows an easy connection to the control unit of all devices with only two wires, by simply connecting them in parallel and selecting the jumpers for addressing according to the needed function. The system acquires automatically the devices connected to the BlueBus network.

Automatic synchronization between multiple photocell pairs in order to avoid other possible interferences between the devices.



EPM
EPMB



EPMO
EPMOB



EPMA
EPMAB



EPMAO
EPMAOB



EPMOW



EPMOR



PHOTOCELLS

Code	Description	Pack/Pallet
EPM	Pair of outdoor photocells	1
EPMO	Pair of outdoor photocells, 30° positionable	1

PHOTOCELLS WITH NICE BLUEBUS TECHNOLOGY

Code	Description	Pack/Pallet
EPMB	Pair of outdoor photocells, for connections via Nice BlueBUS network	1
EPMOB	Pair of outdoor photocells, 30° positionable, for connections via Nice BlueBUS network	1

WIRELESS PHOTOCELLS WITH BLUEBUS TECHNOLOGY

Code	Description	Pack/Pallet
EPMOW	Pair of self-synchronised surface-mounted wireless photocells	1

PHOTOCELLS WITH REFLECTIVE TECHNOLOGY

Code	Description	Pack/Pallet
EPMOR	Surface-mounted reflective photocell + reflective mirror	1

PHOTOCELLS - BURGLAR-RESISTANT METAL BODY

Code	Description	Pack/Pallet
EPMA	Pair of outdoor photocells, burglar-resistant metal body	1

PHOTOCELLS - BURGLAR-RESISTANT METAL BODY WITH NICE BLUEBUS TECHNOLOGY

Code	Description	Pack/Pallet
EPMAB	Pair of outdoor photocells, for connections via Nice BlueBUS network, burglar-resistant metal body	1

PHOTOCELLS - POSITIONABLE BURGLAR-RESISTANT METAL BODY

Code	Description	Pack/Pallet
EPMAO	Pair of outdoor photocells, 30° positionable	1

PHOTOCELLS - BURGLAR-RESISTANT POSITIONABLE METAL BODY WITH NICE BLUEBUS TECHNOLOGY

Code	Description	Pack/Pallet
EPMAOB	Pair of outdoor photocells, 30° positionable, for connections via Nice BlueBUS network	1

TECHNICAL SPECIFICATIONS

	Estimated range (m)	Power supply	Absorption (mA)	Photocell adjustability	Protection level (IP)	Operating temperature (°C Min/Max)	Relay range	Dimensions (mm)	Weight (g)
EPM	15 (30 with jumper + "10" cut)	without jumper 24 Vac/Vdc limits: 18-35 Vdc, 15-28 Vac with 12 Vac/Vdc jumper limits: 10-18 Vdc, 9-15 Vac	25 RX, 30 TX	-	44	-20 ÷ +50	max 500 mA and 48 V	50x29x80 h	140
EPMO				30° approx. on the all axes				50x38x80 h	160
EPMA				-				50x31x80 h	480
EPMAO				30° approx. on the all axes				50x38x80 h	530
EPMOR	8 (maximum range in optimum conditions 15)	12-24 V	50	approx. 10° on all axes				105x50x40 h	83

TECHNICAL SPECIFICATIONS WITH NICE BLUEBUS TECHNOLOGY

	Estimated range (m)	Electric power supply output	Photocell adjustability	Protection level (IP)	Operating temperature (°C Min/Max)	Dimensions (mm)	Weight (g)
EPMB	up to 15 for offset maximum TX-RX ± 5 (the device can signal an obstacle also in adverse weather conditions)	the devices can be connected only to "BlueBUS" networks from which it receives the power supply and transmits the output signals	-	44	-20 ÷ +55	50x29x80 h	140
EPMOB			30° approx. on the all axes			50x38x80 h	160
EPMAB			-			50x31x80 h	480
EPMAOB			30° approx. on the all axes			50x38x80 h	530
EPMOW	20 (maximum range in optimum conditions 40)	3 V DC, with CR123 lithium battery	approx. 10° on the vertical axis			105x50x40 h	200

	Power supply	Absorption with power pack 24 Vdc	Absorption with power pack 24 Vac	Output BlueBUS	Protection level (IP)	Operating temperature (°C Min/Max)	Dimensions (mm)	Weight (g)
IB	16 ÷ 35 Vdc 18 ÷ 28 Vac	50 mA (add approx. 50 mA for each photocell pair)	44 mA (add approx. 40 mA for each photocell pair)	with a load of max 9 BlueBUS units	30	-20 ÷ +50	86x58x22 h	72

	Power supply	Output BlueBUS	Protection level (IP)	Operating temperature (°C Min/Max)	Dimensions (mm)	Weight (g)
IBW	by connection to the "BlueBUS" terminal of the automation control unit.	one with a max. load of 20 BlueBUS units	30	-20 ÷ +70	18 x 33 x 40 h	25

	Power supply	Absorbed power (W)	Protection level (IP)	Operating temperature (°C Min/Max)	Dimensions (mm)	Weight (g)
ELMM	12-24 V	1	45	-20 ÷ +55	40 x 30 x 25 h	20

ACCESSORIES

Code	Description	Pack/Pallet
IB	Interface for photocell BlueBus connection to non prepared stations	1
IBW	Interface through EPMOW and control units with Nice BlueBUS technology	1
ELMM	LED light module for EPMOR	1
POE	Wall support for Era photocells	1



IB



ELMM



POE

Era Photocell L

Synchronized photocells Large, fixed or positionable, also with Nice BlueBUS technology, both surface mounted and recessed

Easy and versatile: recessed versions EPLIO compatible with the most popular standards on the market to replace the old photocells or cover annoying existing setups without the need of extra adaptors.

Safe: D type device according to specification EN12453 which allows to pick-up obstacles on the optical axis between transmitter (TX) and receiver (RX).

Using the fototest function it is possible to achieve class 2 safety fault according to specification EN 954-1.

The models EPL, EPLO, EPLIO provide for 2 range levels.

Antiglare circuit which eliminates possible sunlight interference.

The positionable versions allow for the compensation of centering gaps up to 30°.

Discreet: polycarbonate body, extremely strong with minimal projection of 9 millimetres from the wall for the recessed mounting version.

Practical: adapter bowl EKA03 to simplify useful preparations for recessed mounting.

Nice BlueBUS technology: all versions with the BlueBUS system allow an easy connection to the control unit of all devices with only two wires, by simply connecting them in parallel and selecting the jumpers for addressing according to the needed function.

The system automatically acquires the devices connected to the BlueBus network and allows automatic synchronization with multiple photocells in order to avoid other possible interferences.

IB interface: allows the connection of photocells with Nice BlueBUS technology to control units having terminals for traditional contacts.



EPL
EPLB



EPLO
EPLOB



EPLIO
EPLIOB

PHOTOCELLS

Code	Description	Pack/Pallet
EPL	Pair of surface-mounted photocells Large	1

PHOTOCELLS WITH NICE BLUEBUS TECHNOLOGY

Code	Description	Pack/Pallet
EPLB	Pair of surface-mounted photocells Large, for connections via Nice BlueBUS	1

POSITIONABLE PHOTOCELLS

Code	Description	Pack/Pallet
EPLO	Pair of surface-mounted photocells Large, 30° positionable	1

POSITIONABLE PHOTOCELLS, WITH NICE BLUEBUS TECHNOLOGY

Code	Description	Pack/Pallet
EPLOB	Pair of surface-mounted photocells Large, 30° positionable, for connections via Nice BlueBUS	1

POSITIONABLE PHOTOCELLS, FOR RECESSED MOUNTING

Code	Description	Pack/Pallet
EPLIO	Pair of photocells Large for recessed mounting, 30° positionable	1

SWIVEL PHOTOCELLS, FOR RECESSED MOUNTING WITH NICE BLUEBUS TECHNOLOGY

Code	Description	Pack/Pallet
EPLIOB	Pair of photocells Large for recessed mounting, 30° positionable, for connection via Nice BlueBUS	1

TECHNICAL SPECIFICATIONS

	Estimated range (m)	Power supply	Photocell adjustability	Absorption (mA)	Protection level (IP)	Operating temperature (°C Min/Max)	Relay range	Dimensions (mm)	Weight (g)
EPL	15 (30 with jumper + "10" cut)	without jumper 24 Vac/Vdc limits: 18-35 Vdc, 15-28 Vac	-	25 RX, 30 TX	44	-20 ÷ +50	max 500 mA and 48 V	70x30x70 h	160
EPLO		with 12 Vac/Vdc jumper limits: 10-18 Vdc, 9-15 Vac	30° approx. on the all axes					70x38x70 h	180
EPLIO								70x66+9x70 h	185

TECHNICAL SPECIFICATIONS WITH NICE BLUEBUS TECHNOLOGY

	Estimated range (m)	Electric power supply output	Photocell adjustability	Protection level (IP)	Operating temperature (°C Min/Max)	Dimensions (mm)	Weight (g)
EPLB	up to 15 for offset maximum TX-RX ± 5 (the device can signal an obstacle also in adverse weather conditions)	the devices can be connected only to "BlueBUS" networks from which it receives the power supply and transmits the output signals	-	44	-20 ÷ +50	70x30x70 h	140
EPLOB			30° approx. on the all axes			70x38x70 h	160
EPLIOB						70x66+9x70 h	185

	Power supply	Absorption with power pack 24 Vdc	Absorption with power pack 24 Vac	Output BlueBUS	Protection level (IP)	Operating temperature (°C Min/Max)	Dimensions (mm)	Weight (g)
IB	16 ÷ 35 Vdc 18 ÷ 28 Vac	50 mA (add approx. 50 mA for each photocell pair)	44 mA (add approx. 40 mA for each photocell pair)	with a load of max 9 BlueBUS units	30	-20 ÷ +50	86x58x22 h	72

ACCESSORIES

Code	Description	Pack/Pallet
IB	Interface for photocell BlueBus connection to non prepared stations	1
EKA03	Bowl for recessed mounting (depth 66 mm) for installation of EKSI, EKSIU. also compatible with EPLIO, EPLIOB, EDSI, EDSIB	50



IB



POE

Era Keypad

12 key digital selector, also with Nice BlueBUS technology, available in the recessed mounting version



EDS
EDSB



EDSI
EDSIB

Wafer-thin: extremely strong metal body, 27 millimetres depth and only 13 mm from the wall for the recessed mounting version.

Safe: the combination is a 1 to 9 digit number, this allows the generation of 999.999.999 possible combinations!

Backlit keypad.

Easy programming:

- 2 programming modes: Easy or Professional;
- possibility to program the number of uses of a specific combination;
- 255 storable combinations expandable, on EDS and EDSI up to 510 combinations with a second additional memory BM1000.

With a O-Box interface you can manage easily any kind of programming of the BM1000 memory, in proximity of the system or also at a distance, directly from the office of the installer.

O-Box is interfaced with the PC, thus allowing an orderly storing of all installations.

Nice BlueBUS technology: available with BlueBUS system which allows an easy connection to the control unit of all devices with only two wires, by simply connecting them in parallel and other exclusive functions:

- 2 keys for the activation of two different commands chosen among 6 available ones (for example, step operation, close, open), depending on the control unit to which they are connected to;
- up to 4 control devices EDSB/EDSIB and ETPB which can be connected also with a mixed configuration;
- possibility of insertion of a block/unblock function.

Two different visual signalling depending on the state of automation:

- red: when the automation is closed or is closing;
- green: during opening operation or in the case in which the "automation block" function is active.

DIGITAL SELECTORS

Code	Description	Pack/Pallet
EDS	Digital selector, 12 keys, to be combined with the MORX decoder	1
EDSI	Digital selector, 12 keys, for recessed mounting, to be combined with the MORX decoder	1
MORX	Decoder for 1 ETP or up to 4 EDS/EDSI connected in parallel, with 1 BM1000 memory for 255 combinations	1

TECHNICAL SPECIFICATIONS

	Protection level (IP)	Dimensions (mm)	Weight (g)
EDS	44	70x27x70 h	200
EDSI	54	70x66+13x70 h	160

	Storage capacity	Range relè	Power supply	Maximum absorption	Protection level (IP)	Operating temperature (°C Min/Max)	Dimensions (mm)	Weight (g)
MORX	2 BM1000 for max. 510 combinations or 510 MOCARD, MOCARDP and HSB1	max. 500 mA and 48 Vac/Vdc	10 ÷ 35 Vdc, 12 ÷ 28 Vac	24 Vdc=70 mA 24 Vac=200 mA 12 Vdc=150 mA 12 Vac=300 mA with 1 ETP or up to 4 EDS/EDSI	30	-20 ÷ +70	98x42x25 h	65



MORX

DIGITAL SELECTORS WITH NICE BLUEBUS TECHNOLOGY

Code	Description	Pack/Pallet
EDSB	12 key digital selectors with Nice BlueBUS technology burglar-resistant metal body	1
EDSIB	12 key digital selectors with Nice BlueBUS technology, for recessed mounting burglar-resistant metal body	1

TECHNICAL SPECIFICATIONS WITH NICE BLUEBUS TECHNOLOGY

	Power supply	Absorption	Protection level (IP)	Dimensions (mm)	Weight (g)
EDSB	via BlueBUS	1.5 BlueBUS units	44	70x27x70 h	200
EDSIB			54	70x66+13x70 h	160

AUXILIARY EQUIPMENT FOR RECESSED MOUNTING VERSIONS

Code	Description	Pack/Pallet
EKA03	Bowl for recessed mounting (depth 66 mm) for installation of EKSI, EKSIEU. also compatible with EPLIO, EPLIOB, EDSI, EDSIB	50
EKA02	Finishing kit for EDSI, EDSIB, EKSI, EKSIEU installation	10

Nice

Era Keypad wireless

13 key digital selectors, with radio connection,
100% wireless



Digital radio selector with FloR 52 bit coding: is compatible with FloR with rolling code and generates 4.5 trillions of combinations, self-learning.

Complete: 3 transmission channels to control 3 automated systems or 3 different customized commands for the single automated system.

Convenient: no cabling needed and an estimated range of 25 m in free space and 15 m inside buildings. Backlit keypad in poor light conditions. Acoustic feedback.

Safe: the combination is a 1 to 9 digit number, this allows the generation of 999.999.999 possible combinations!

Economic: extremely reduced consumption, transmission is activated at the pressure of a key and turns off automatically.

The ambient light sensor activates lighting of the keyboard only when this is necessary.

Thin: extremely strong metal body, only 27 millimetre depth.

DIGITAL WIRELESS SELECTOR

Code	Description	Pack/Pallet
EDSWG	Digital switch via radio compatible with Flor three-channel receivers, three passwords	1

TECHNICAL SPECIFICATIONS

	Power supply	Battery life	Frequency	Radiated power	Radio coding	Operating temperature (°C Min/Max)	No. of digits combination	Estimated range (m)	Protection level (IP)	Dimensions (mm)	Weight (g)
EDSWG	6 Vdc with 2 lithium batteries type CR2430	estimated 2 years with 10 transmissions per day	433.92 MHz ± 100 KH	< 1 mW e.r.p.	rolling code 52 bit FloR	-10° ÷ +55°	from 0 to 8	25 in open space, 15 indoors	54	70x27x70 h	200

Era Key switch

Key selectors for outdoor and recessed installation with automatic return lock, European or standard cylinder



EKSEU



EKSIEU



EKS



EKSI

Selectors in burglar-resistant version with metal shell.

Wafer thin: only 13 millimetres depth from the wall in the recessed versions (32 and 45 millimetres in the outdoor versions).

Electrical contacts and levers protected by plastic container.

Employable as direct motor command in applications with mains power source (230 Vac).

Flexible solution: recessed versions with bowl supplied, for new installations or existing setups with adaptor EKA02.

KEY SELECTORS

Code	Description	Pack/Pallet
EKSEU	Key selector Era series, European cylinder, for outdoor installation	1
EKSIEU	Key selector Era series, European cylinder, for recessed mounting	1
EKS	Key selector Era series, for outdoor installation	1
EKSI	Key selector Era series, for recessed mounting	1

ACCESSORIES

Code	Description	Pack/Pallet
CHS	Neutral key for EKS, EKSI	1
CHEU	Neutral key for EKSEU, EKSIEU	1
EKA03	Bowl for recessed mounting (depth 66 mm) for installation of EKSI, EKSIEU. also compatible with EPLIO, EPLIOB, EDSI, EDSIB	50
EKA02	Finishing kit for EDSI, EDSIB, EKSI, EKSIEU installation	10

TECHNICAL SPECIFICATIONS

	Contact range	Protection level (IP)	Dimensions (mm)	Weight (g)
EKSEU	10 (2) A - 250 Vac	44	70x43x70 h	490
EKSIEU			70x66+13x70 h	530
EKS			70x32x70 h	360
EKSI			70x66+13x70 h	450

Nice

Era Transponder reader

Transponder proximity reader for cards and badges, bimodal transmitters Flor-m, also with Nice BlueBUS technology



Easy programming:

- 2 programming modes: Easy or Professional;
- allows you to determine which cards/badges are enabled on the system;
- possibility of programming the number of uses available to a specific card or badge;
- 255 storable cards/badges expandable, on ETP, up to 510 cards/badges with a second additional memory BM1000;
- 2 modes (static and dynamic) to activate two different commands (ETPB version).

With a O-Box interface you can manage easily any kind of programming of the BM1000 memory, in proximity of the system or also at a distance, directly from the office of the installer.

O-Box is interfaced with the PC, thus allowing an orderly storing of all installations.

Nice BlueBUS technology: available with BlueBUS (ETPB) system which allows an easy connection to the control unit of all devices with only two wires, by simply connecting them in parallel and other exclusive functions:

- 2 modes (static and dynamic) for the activation of two different commands chosen among 6 available ones (for example, step operation, close, open), depending on the control unit to which they are connected to;
- possibility of insertion of a block/unblock function;
- up to 4 control devices EDSB/EDSIB and ETPB which can be connected via BlueBUS, also with a mixed configuration,

Transponder badge HSB1 Practical in use, can be added to the key chain so as to be always available.

PROXIMITY READER

Code	Description	Pack/Pallet
ETP	Proximity reader for transponder cards MOCARD and MOCARDP to be combined with the MORX decoder	1
MORX	Decoder for 1 ETP or up to 4 EDS/EDSI connected in parallel, with 1 BM1000 memory for 255 combinations	1
BM1000	Additional memory for additional 255 combinations	5

PROXIMITY READER WITH NICE BLUEBUS TECHNOLOGY

Code	Description	Pack/Pallet
ETPB	Proximity reader for transponder cards with Nice BlueBUS technology	1

ACCESSORIES

Code	Description	Pack/Pallet
MOCARD	Transponder card programmable via O-Box	10
MOCARDP	Transponder card programmable via O-Box, with sequential coding for multiple entry	10
HSB1	Transponder badge newly programmable via O-Box, with sequential coding for multiple entry	10

TECHNICAL SPECIFICATIONS

	Description	Acquisition distance (cm)	Protection level (IP)	Dimensions (mm)	Weight (g)			
ETP	MOCARD, MOCARDP and HSB1 reader	3 ÷ 6	54	70x26x70 h	265			
	Storage capacity	Range relè	Power supply	Maximum absorption	Protection level (IP)	Operating temperature (°C Min/Max)	Dimensions (mm)	Weight (g)
MORX	2 BM1000 for max. 510 MOCARD and MOCARDP or combination	max. 500 mA and 48 Vac/Vdc	10 ÷ 35 Vdc 12 ÷ 28 Vac	24 Vdc=70 mA 24 Vac=200 mA 12 Vdc=150 mA 12 Vac=300 mA (with 1 MOM or 4 MOT)	30	-20 ÷ +55	98x42x25 h	65



MORX

TECHNICAL SPECIFICATIONS WITH NICE BLUEBUS TECHNOLOGY

	Power supply	Absorption	Acquisition distance (cm)	Protection level (IP)	Dimensions (mm)	Weight (g)
ETPB	via BlueBUS	2 BlueBUS units	up to 4	54	70x26x70 h	270

Era Post

Outdoor aluminium posts for photocells, selectors and proximity readers, with height 500 mm and 1000 mm



Modern design: New post line for the installation of medium and large sized photocells.

Easy to install: simplified installation for the setting in absolute freedom of one's own safety area.

Code	EPN/EPMB	EPMD/EPMD8	EPMDR	EPMDW	EPL/EPLB	EPLD/EPLOB	PHW**	EDS/EDSB	EDW	ETP/ETPB	EKS	EKSEU
PPH1	•	•			•	•	•					
PPH2	•	•			•	•		•*	•*	•*	•*	•*
PPH3	•	•										
PPH4	•	•										
PPK								•	•	•	•	•

* The installation requires the EKA01 plug adaptor.

** The installation of the solar photocell requires the PHWA1 plug adaptor.

Code	Description	Pack/Pallet
PPH1	Aluminium column with protected housing for 1 photocell, medium and large size, 500 mm h	2
PPH2	Aluminium column with protected housing for 1 photocell, medium and large size, 1000 mm h	2
PPH3	Aluminium post with protected housing for 1 photocell Medium, 500 mm h	2
PPH4	Aluminium post with protected housing for 1 photocell Medium, 1000 mm h	2
PPK	Aluminium post with housing for 1 selector 1100 mm h	2
EKA01	Plug for mounting of EKS, EKSEU, EDS, EDSB, EDSWG, ETP, ETPB, on PPH2 post	1



Era Light

Flashing LED signal light



Universal: The flashing light is available in two versions: 90-240 Vac and 12-36 Vdc.

Thanks to the wide range of power supplies, ELAC is compatible with different electrical standards and can also be installed in areas at risk of voltage surges.

Practical: body particularly shock resistant, designed for fixing in various positions.

Energy saving: Thanks to the LED technology, ELAC and ELDC consume about 80% less than traditional flashing lights.

All versions have a built-in 433.92 MHz antenna.

Protection class IP44.

TECHNICAL SPECIFICATIONS

Code	Description	Pack/Pallet
ELAC	Neutral, LED light, 90-240 Vac, for compatible control units	1
ELDC	Neutral, LED light, 12-36 Vdc, for compatible control units	1

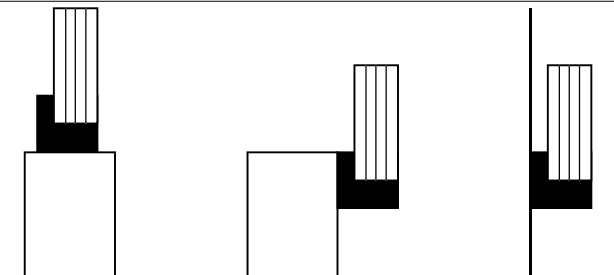
Code	ELAC	ELDC
TECHNICAL SPECIFICATIONS		
Power supply	90-240 Vac, 50/60 Hz	12-36 Vdc
Maximum absorption* (mA)	36	230
Maximum power* (W)	5	5.6
Bulb	white LED	
Internal flashing light	Yes	
PERFORMANCE DATA		
Max. operating cycle	33% (5s ton, 10s toff)	50% (5s ton, 5s toff)
DIMENSIONAL AND GENERAL DATA		
Protection level (IP)	44	
Working temp. (°C Min/Max)	-20 ÷ +50	
Dimensions (mm)	132x72x155	

* Consumption measured with LED always on.

TABLE OF FLASHING LIGHT/CONTROL UNIT COMPATIBILITY

Code	MC200	DPR0500	MC800	A924	MC824H	MC424L	WALKY	HYKE	ROAD	ROBUS	RUN	NAKED SLIDING 400/SLIGHT	TUB	SPY	SPIN / SPINBUS	TEN	SOON	S/M/L BAR	WIDE
ELAC	•	•	•										•						
ELDC				•	•	•	•	•	•	•	•	•		•	•	•	•	•	•

VERSATILE: CAN BE MOUNTED ON A SURFACE, COLUMN OR WALL



Nice

Wallyght

Multi-function LED indicator



The only version with 12/24 Vac/ Vdc power supply and flashing light function, courtesy light function or dusk sensor function.

A new idea for improved safety: when connected to compatible control units, Wallyght can act as a normal flashing light, or provide ambient lighting like a fixed courtesy light.

When connected to a 12/24 Vac/Vdc output, Wallyght can remain permanently lit, and also be activated at dusk to then turn off at dawn thanks to the integrated dusk sensor.

Optimal efficiency, extra long life: the two 1 W-LEDs guarantee a lifetime of 70.000 hours (continuous use).

Horizontal, wall or ceiling mounting: combined with the possibility of orienting the light beam and compact dimensions of the IP44 box, use of Wallyght is even more flexible.

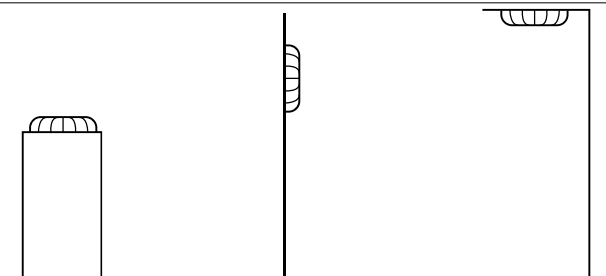
TECHNICAL SPECIFICATIONS

Code	Description	Pack/Pallet
WLT	Multi-function LED indicator.	1

TABLE OF FLASHING LIGHT/CONTROL UNIT COMPATIBILITY

Code	AG24	MC824H	MC424L	WALKY	POP	HYKE	ROAD	ROBUS	RUN	NAKED SLIDING 400/SLIGHT	SPY	SPIN / SPINBUS	TEN	SOON	S/M/L BAR	WIDE
WLT	•	•	•	•	•	•	•	•	•	•	•	•	•	•	•	•

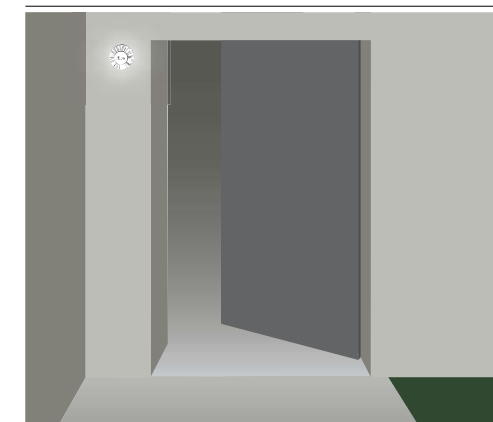
RECOMMENDED INSTALLATION MODE



PATH INDICATORS ON ENTRANCE PATHWAYS



COURTESY LIGHT



Solemyo

Solar power system for automation systems



Solemyo is the solar power system to automate gates, garage doors and road barriers, even those located far from the electrical mains.

Solemyo is available both in kit version and single products.

Installable anywhere: without the need for connections or excavations, even in the most remote locations or those difficult to access with the power mains.

Increased savings and respect for the environment: thanks to solar energy, free and clean: an ecological and intelligent choice with short term benefits.

Low consumption with no risk of blackouts: the extended duration of the energy reserve, combined with the low consumption of the automations, guarantee operation also in prolonged overcast conditions.

Less consumption, more autonomous operation!

Perfect operation ensured even at night time or in prolonged overcast conditions, guaranteeing comfort and safety.

Ease of use: the SYA1 auxiliary power supply unit enables rapid battery charging via a 230 Vac power mains, as an alternative to the photovoltaic module. Battery charge status Led indicators.

Installation advice: if two or more parallel-connected solar panels have to be installed, purchase individually the items that make up the Solemyo system to increase the system's charging capacity or use just one SYA1 transformer to charge several PSY24 battery boxes.

The kit contains:

SYP: photovoltaic panel for 24 V supply.

PSY24: 24 V battery box with control circuit and carry handles. It stores the electrical energy produced by the SYP panel, with continuous and permanent supply throughout the day.

Cables and connectors necessary for the connection.

TECHNICAL SPECIFICATIONS

Code	Description	Pack/Pallet
SYKCE	Solar power kit comprising SYP photovoltaic panel and PSY24 battery box with charging control circuit	21
SYP	Photovoltaic panel for 24 V supply with maximum power 15 W	
SYP30	Photovoltaic panel for 24 V supply with maximum power 30 W	
PSY24	24 V battery box with control circuit and carry handles	



The SYP30 photovoltaic panel

Sold individually, is ideal in all the situations with low exposure to the sun or automations with high intensity of use.

Code	PSY24	SYP30	SYP	SYA1
Power supply (Vac 50/60 Hz)		-		110 ÷ 240
Rated voltage (V)		24		-
Maximum current (A)	10		-	
Peak power (Wp)	-	30	15	-
Maximum power (W)		-		60
Rated battery capacity (Ah)	20		-	
Protection level (IP)	44		-	
Working temp. (°C Min/Max)	-20 ÷ +50*		-40 ÷ +85	0 ÷ +40
Complete recharging time (hours)	~ 15**		-	
Dimensions (mm)	235x170x258 h	450x25x550 h	390x28x415 h	132x58x30 h
Weight (kg)	14	3.5	1.9	0.345

* 0 ÷ 40 if recharged from the power mains with SYA1 power supply unit.

** Using the power supply unit via the mains.

INSTALLATION DIAGRAM



Flexible: Solemyo adapts perfectly to all types of installation.

ACCESSORIES



SYA1
Power supply unit for charging the battery PSY24 from the supply mains.

Pc./Pack 1



FT210

Pair of optical devices for sensitive edges



PPH2

PPH1

FA1

Additional models

Versions with relay output (FT210), with Nice BlueBUS technology (FT210B), available with 2 Ah (FTA2) and 7 Ah (FTA1) battery Kit, for intensive use.

Cutting-edge technology

The anti-collision circuit avoids interference with other out-of-sink receivers.

The FT210/FT210B optical devices are equipped with a special sensor capable of recognizing when the gate is motionless, which remains in a low consumption mode and activates only when the gate is in motion.

Range adjustable on 2 levels; alignment with proportional LED for easy and safe installation.

Suitable for any architectural environment and easy to install.

Compact size: Reduced dimensions: 46x128x45; electrical connections can also be made from the lower section of the box.

Resilient and safe Polycarbonate casing; FA1 vandal-proof metal shell (optional); low transmitter battery indicator.

Optical device, with wireless transmitter to secure on moveable leaf, horizontally adjustable through 210° and 30° vertically, for an automation according to Standards.

Consideration towards personal safety and product quality.

The safety level of the main edge, required by the EN12453 standard, can be achieved for any "type of use" and any "type of activation" by integrating a FT210/FT210B device to an 8.2 KOhm TCB65 type resistive sensitive edge

The FT210/FT210B device, integrated with a "resistive" sensitive edge (8.2 KOhm), is safe against individual faults (category 3 according to the EN 954-1 standard) or can be used with automated systems with self-diagnosis at the start of every manoeuvre (category 2 according to the EN 954-1 standard).

TECHNICAL SPECIFICATIONS

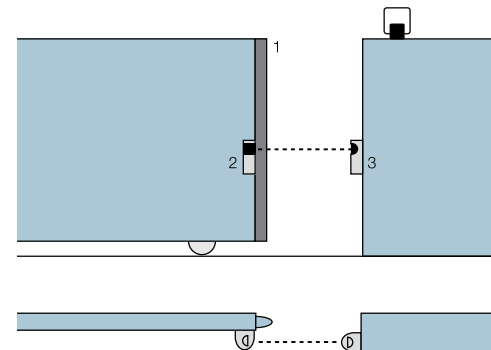
Code	Description	Pack/Pallet
FT210	Pair of optical devices for sensitive edges fastened on moving door, can be swivelled through 210° with relay output. Battery kit (FTA1/FTA2) compulsory	1
FT210B	Pair of optical devices for sensitive edges fastened on moving door, can be swivelled through 210° with BlueBUS technology. Battery kit (FTA1/FTA2) compulsory	1

	Estimated range (m)	Power supply	Absorption	Protection level (IP)	Working temp. (°C Min/Max)	Relay range	Dimensions (mm)	Weight (g)
FT210	10 (residential), 15 (industrial)	RX: 12-24 Vac/Vdc limits: 18-35 Vdc, 10-28 Vac TX: 3.6 V lithium battery	RX: 120 mA - 12 V, 70 mA - 24 V TX: 20 uA gate not moving, 450 uA gate operating	44	-20 ÷ +55	max 500 mA and 48 V	46x45x128 h	300
FT210B		RX: the device can only be connected to "BlueBUS" networks	1 BlueBUS unit TX: 20 uA gate not moving, 450 uA gate operating					280

ACCESSORIES

Code	Description	Pack/Pallet
FA1	Vandal-proof metal shell	2
FA2	Bracket for fixing to PPH2 and PPH1 columns	5
FTA1	7 Ah battery kit for FT210/FT210B transmitters, for intensive use	1
FTA2	2 Ah battery kit for FT210/FT210B transmitters	1
PPH2	Aluminium post for 2 photocells, 1000 mm high	2
PPH1	Aluminium post for 1 photocell, 500 mm high	2

GATES



1. TCB65, resistive sensitive edges
2. Tx FT210 power supply with battery
3. Rx FT210

F210

Synchronised photocells adjustable



PPH2

PPH1

F210 - FA1

Synchronised photocells horizontally adjustable through 210° and 30° vertically.

Simply perfect installations.

The 210° solution

The beam of the Nice F210 and F210B photocells has a horizontal scope of 210°, thereby increasing the safety level of the system and simplifying installation: the gate or garage door to be automated quite often slide flush with the wall making it very difficult to position the photocell.

Numerous models and countless advantages

The new photocells are available with relay output (F210) or with the Nice BlueBUS technology (F210B).

With the BlueBUS technology, all devices can be easily connected to the control unit with just two wires.

Sensors with the BlueBUS technology can be connected to incompatible control units by means of an IB interface.

The system acquires automatically the devices connected to the BlueBus network.

Suitable for any architectural environment and easy to install.

Compact size: Reduced dimensions: 46x128x45; electrical connections can also be made from the lower section of the box.

Resilient and safe Polycarbonate casing; FA1 vandal-proof metal shell (optional).

Cutting-edge technology The problem of interference between the sensors and the automatic synchronisation between several pairs of photocells is solved by the anti-blinding circuit.

High range adjustable on 2 levels; synchronising circuit; alignment with proportional Led for easy and safe installation.

TECHNICAL SPECIFICATIONS

Code	Description	Pack/Pallet
F210	Pair of synchronised photocells adjustable through 210°, with relay output	1
F210B	Pair of synchronised photocells adjustable through 210°, with the Nice BlueBUS technology	1

	Estimated range (m)	Power supply	Absorption	Protection level (IP)	Working temp. (°C Min/Max)	Relay range	Dimensions (mm)	Weight (g)
F210	10 (30 with jumper cut)	without jumper 24 Vac/Vdc limits: 18-35 Vdc, 15-28 Vac with 12 Vac/Vdc jumper limits: 10-18 Vdc, 9-15 Vac	25 mA RX, 30 mA TX	44	-20 ÷ +55	max 500 mA and 48 V	46x45x128 h	230
F210B		the device can only be connected to "BlueBUS" networks	1 BlueBUS unit			-		

ACCESSORIES

Code	Description	Pack/Pallet
IB	Interface for connecting BlueBUS F210B photocells up to control units which have not been manufactured for this purpose	1
FA1	Vandal-proof metal shell	2
FA2	Bracket for fixing to PPH2 and PPH1 columns	5
PPH2	Aluminium post for 2 photocells, 1000 mm high	2
PPH1	Aluminium post for 1 photocell, 500 mm high	2

TECHNICAL SPECIFICATIONS

	Power supply	Absorption with power pack 24 Vdc	Absorption with power pack 24 Vac	Output BlueBUS	Protection level (IP)	Operating temperature (°C Min/Max)	Dimensions (mm)	Weight (g)
IB	16 ÷ 35 Vdc 18 ÷ 28 Vac	50 mA (add approx. 50 mA for each photocell pair)	44 mA (add approx. 40 mA for each photocell pair)	with a load of max 9 BlueBUS units	30	-20 ÷ +55	86x58x22 h	72



IB



FA1

Kio

Key-operated selector switch for low voltage contacts

With release mechanism for metal cable, ideal for automating sectional doors, rolling doors and folding doors.

User-friendly: Kio is both a key-operated selector switch and a release device. Its design makes it very convenient and effortless to use, and easy to install anywhere thanks to its very narrow outline.

Long-lasting: made from cast aluminium, epoxy-power coated.

Easy: LED allows you to locate the selector switch even in total darkness.

More safety: coded key. Release device activated directly by opening the door or by the winding device.

The very first product to incorporate the key-operated control and release motor functions.



Code	Description	Pack/Pallet
KIO	Key-operated selector switch for low voltage contacts, with release mechanism for metal cord	1
KA1	6 m cable release kit for KIO	1

Kiomini

Aluminium key switch

With control button and release mechanism for metal cable.

Practical: Kiomini is both a lever for the release mechanism for metal cord and a control mechanism for the direct or through a control unit activation of a single phase motor.

Resistant: a vandal-proof die-cast aluminium casing. The access to the sector is possible by a thick door with closing key.

Convenient: thanks to its small dimensions, it is easy and compact to install.



Code	Description	Pack/Pallet
KIOMINI	Aluminium key switch with control and release mechanism	1
KA1	6 m cable release kit for KIO	1



KIO



KA1



KA1





