



HOME CENTER 3 LITE

Smart home starts here!

Contact DHS for availability and price



FIBARO



At **FIBARO**, we believe that the Home is the most important place in the world. That is why, we have created a solution that will turn your home into an intelligent one and allow you to enjoy a comfortable and safe life.

Thanks to **FIBARO**, you can control it easily - with one button, gesture or word gates, roller shutters, lighting, temperature, monitoring, alarm, watering system, and electronics and household appliances.

With us, you get a helper who will relieve you of many daily duties and a guardian who will watch over your home, notify you about disturbing events and react to them himself. It is a true friend of your family, home budget and the environment.

Start your adventure in FIBARO smart home with Home Center 3 Lite!



HOME CENTER 3 LITE CAPABILITIES

The gateway is a **key & necessary** element of a smart home.

Thanks to it, remote control and intelligent management of all devices connected to the **FIBARO** System is possible.



FIBARO





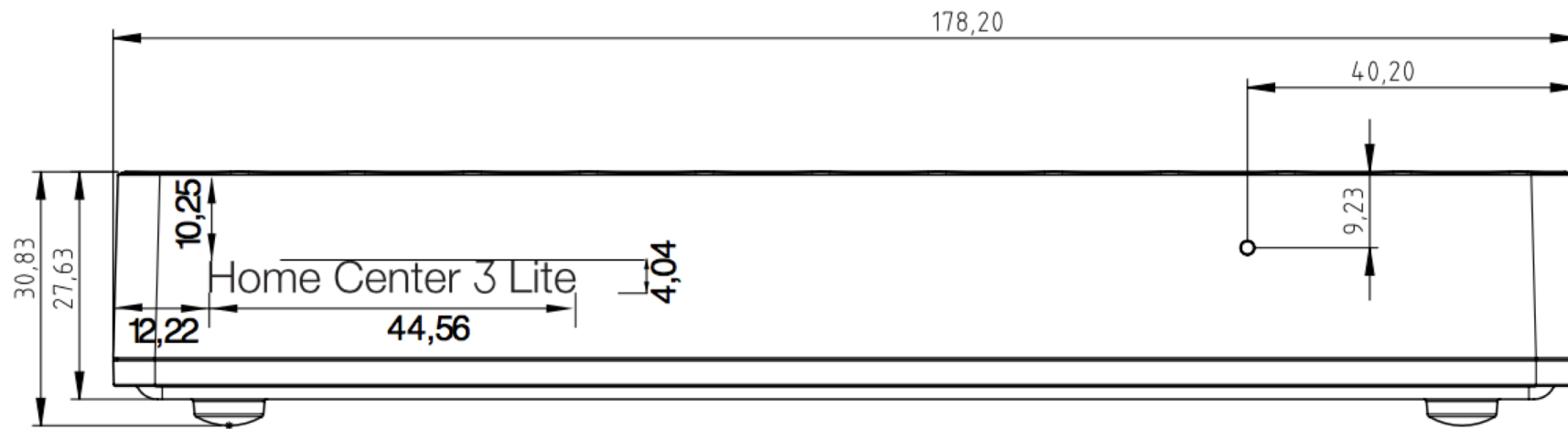


FIBARO



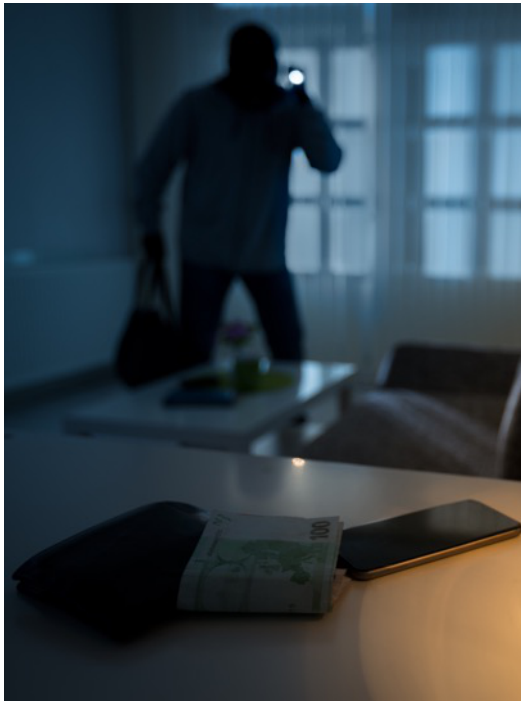






WHY A SMART HOME?

SECURITY



HEALTH



CONVENIENCE



SUSTAINABILITY



SAVINGS



SECURITY

The **FIBARO** System will ensure the safety of you and your loved ones.

- Smoke detection
- Carbon monoxide detection
- Flood detection
- Operation as a wireless alarm system
- Cooperation with the existing wired alarm system (eg SATEL) and security companies
- Emergency door opening
- Closing the roller shutters when you are away





HEALTH

The **FIBARO** System will help you ensure the right conditions for your health.

- Humidity control
- Smart heating
- Measurement of air quality and quantity of PM2.5 and PM10 dust
- Detection of hazardous gases
- Control of ventilation and recuperation
- Notifications in case of dangerous situations

CONVENIENCE

An intelligent home is primarily about increasing comfort and facilitating everyday activities.

- Voice control
- Remote home control from applications for phones, tablets and smart watches
- Automatic scenarios - grouping devices, schedules and scenes
- Control over devices with one button or remote control
- Combining all elements of the house into one ecosystem





SUSTAINABILITY

FIBARO will ensure that your home has a minimal impact on the surroundings and the environment.

- Intelligent heating control leading to a reduction in the demand for heating media
- Build awareness through the energy panel and measure current electricity consumption
- The use of dimmers, thermostats or intelligent heads leads to significant energy savings

SAVINGS

In the FIBARO system, your savings are very important.

- The heating system is intelligently controlled through schedules and the presence of the household members
- The use of dimmers and LED drivers leads to a reduction in bills
- The ability to use scenarios and automation ensures that no devices will be redundantly used



THE WHOLE HOUSE IN ONE SMALL DEVICE



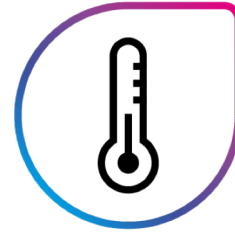
LIGHTING CONTROL



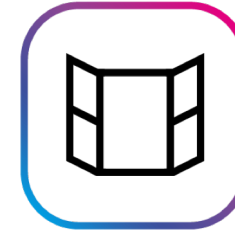
ROLLER SHUTTERS & GATES CONTROL



CONTROL OF ELECTRICAL APPLIANCES



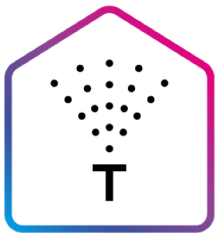
HEATING CONTROL



DOORS & WINDOWS MONITORING



TEMPERATURE MONITORING



WATERING SYSTEM MANAGEMENT



MULTIMEDIA MANAGEMENT



LEAK DETECTION



CARBON MONOXIDE DETECTION



ANTI-THEFT PROTECTION



FIRE PROTECTION

TECHNOLOGY AT THE SERVICE

- **COMMUNICATION TECHNOLOGY:** Z-WAVE
(700 series)
- **NETWORK TECHNOLOGY:** Wi-Fi 2.4GHz
- **CPU:** Single-Core ARM Cortex A7 900 MHz
- **RAM MEMORY:** 512 MB
- **FLASH MEMORY:** 4 GB eMMC



SEE THE MOST IMPORTANT DIFFERENCES

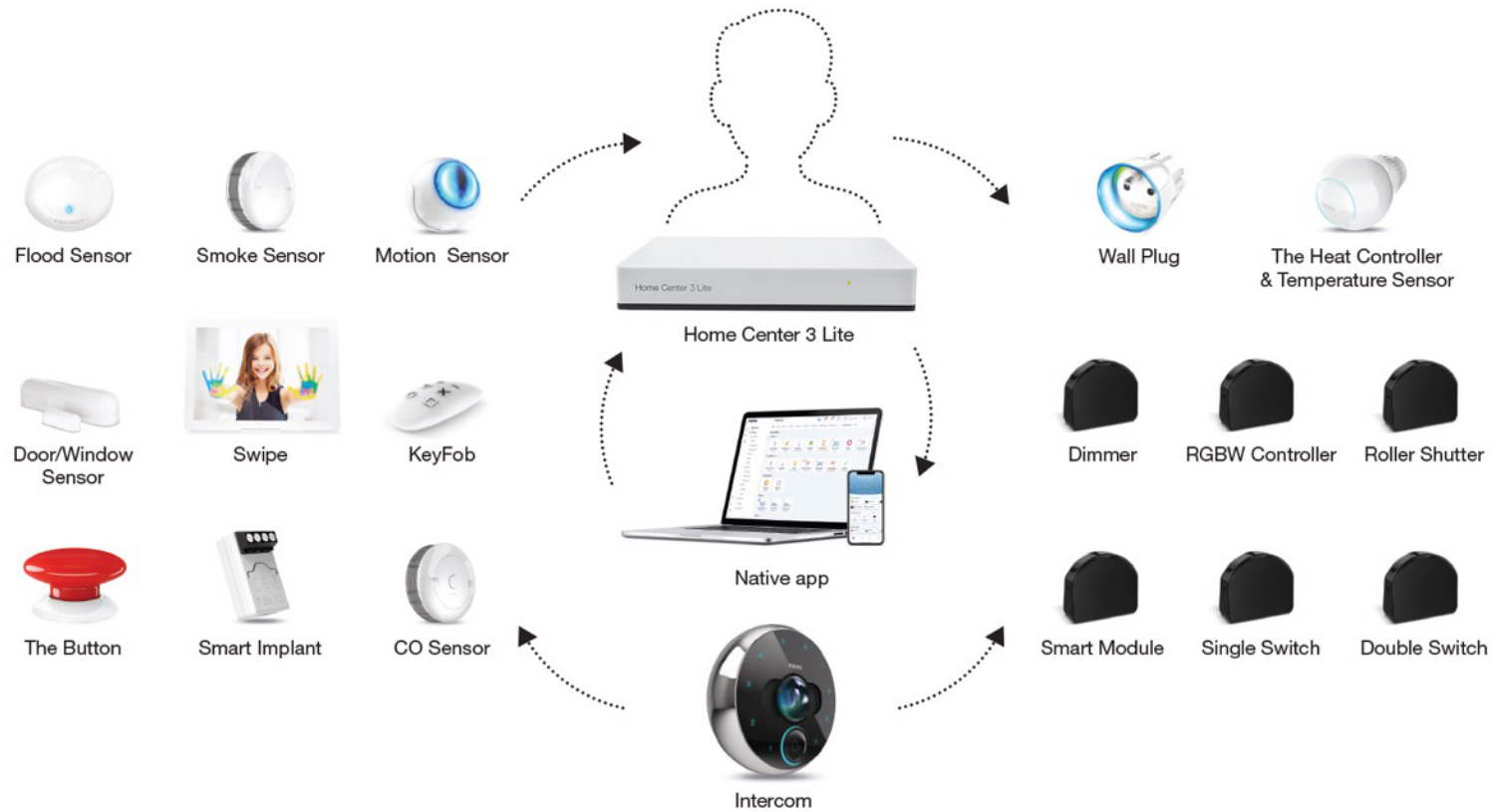
	FIBARO HOME CENTER 3	FIBARO HOME CENTER 3 LITE
APPLICATION	Versatile applications in building automation: houses, flats	Smaller houses (recommended up to 100 m2) and apartments
NUMBER OF SUPPORTED DEVICES	Up to 230 Z-Wave devices	Recommended up to 40 Z-Wave devices
COMMUNICATION TECHNOLOGIES	Z-Wave 500 Zigbee, BLE, NICE 433MHz / 868MHz	Z-Wave 700
NETWORK TECHNOLOGIES	Ethernet, Wi-Fi 2.4GHz / 5GHz	Wi-Fi 2.4GHz
CPU	Quad-Core ARM Cortex A53 1,2GHz	Single-Core ARM Cortex A7 900 MHz
RAM	2 GB	512 MB
FLASH MEMORY	8 GB eMMC	4 GB eMMC
POSSIBILITIES OF AUTOMATION	LUA, block scenes, panels, schedules	LUA, block scenes, panels, schedules
MAXIMUM NUMBER OF SCENES	Unlimited	Recommended up to 20 scenes
IP CAMERAS SUPPORT	Unlimited	1 IP camera
PLUGINS AND QUICK APPS SUPORT	Unlimited	5 plugins and 10 quick apps
MIGRATION MECHANISM	Yes, with HCL, HC2, HC3L	No
OPERATING IN CONNECTED GATEWAYS MODE	MASTER & SLAVE mode	Only SLAVE mode
MSRP NET	495.00 €	109,09 €

THE POWER OF THE ECOSYSTEM

Senses

Decision making and processing

Execution



FIBARO WALLI

The first complete line of switches and outlets - a unique set of smart devices enabling flawless management of light, roller blinds or even home appliances. You choose whether to use it manually, by a mobile app or with help of voice assistants.

Classic outlets such as Ethernet, TV/SAT and USB outlet are complementary to the smart ones.



FIBARO APPs



FIBARO HOME CENTER 3 works with the existing **FIBARO** application base.

- Remote home control from applications for phones, tablets and smart watches
- User Profiles - quick access to home management
- Favorite scenes and devices

THE BIGGEST ECOSYSTEM OF DEVICES

INTEGRATIONS

WORKS WITH
FIBARO



ASSA ABLOY





MCO HOME

The company is known on the global market for the design and production of devices based on Z-Wave and WiFi. From the beginning, it focused on heating-based products, gaining the necessary experience through the development of its products. As a result, it currently has one of the richest offers on the market in the area of heating and monitoring air parameters. Their products are characterized by: very good design, high quality and functionality.

The choice of MCOHome for the FIBARO complementary product portfolio is the result of high ratings of their solutions in many dimensions.



EUTONOMY

EUTONOMY produces professional solutions directly supporting the FIBARO offer. All products have been designed to expand the existing system with several interesting elements.

The euFrame iPad frames and adapters for mounting FIBARO modules on a TH35 DIN rail are a natural complement to professional installations.



SALTO / DANALOCK

SALTO is a proven provider of practical and simple access control solutions. If the system is planned to control the door opening, access to the code or integration with the Airbnb service is planned - the company's best solution will be.

Products designed for professional applications with aesthetic design will perfectly fit into new or existing installations.



INTESIS

INTESIS are professional solutions in the field of integration with air conditioners. The company's broad portfolio includes universal and dedicated adapters for air-conditioning devices.

Thanks to the support of INTESIS products in FIBARO, it is possible to integrate with systems that until now have often been a challenge for installers.

NEW POSSIBILITIES OF HC3L

The backward compatibility of the BiDi-ZWave interface with all FIBARO control panels and the possibility of installing in a very large number of Nice gate and door controllers allow not only to use it in already implemented systems, but also to sell FIBARO and Nice products together.

If you want to create a FIBARO product range, you can now extend it with Nice automation in a simple, fast and complete way. Likewise, when you intend to offer Nice automation, you can guarantee that it can be integrated with your smart home and FIBARO devices at any time to offer a wider and more complete product package and meet your customers' requirements.

Nice

FIBARO



COOPERATION WITH NICE

#1

Compatible with Opera R10

BiDi-ZWave works with drivers from the Gate & Door catalog supporting the Opera protocol.

#2

The most popular solutions

The range of control units equipped with Opera and connector for IBT4 interfaces is very wide and includes the most popular models sold in recent years

#3

Minor exceptions

Drivers before R10 version, and also with RJ12 connector are not compatible.



OPERA

VOICE CONTROL

The FIBARO system can be controlled using voice commands alone. With just a few words, users can close the shutters, dim the lights, turn on music, and adjust the overall ambiance.

FIBARO integrates with [Google Assistant](#) and [Amazon Alexa](#). Apple HomeKit compatible devices work with [Siri](#).



Turn the temperature on in the living room to 21°C.



BENEFITS FOR THE DISTRIBUTOR



#1

New product on offer

Introduction of a product available to a larger group of customers starting their adventure with Smart Home.

#2

Better market fit

Better market adjustment to offline retail, developer and project channels.

#3

Larger product segmentation

Introducing more product diversity
- increasing the scope of the product portfolio.

BENEFITS FOR THE INSTALLER

#1

A more accessible product

Introduction of a device available to a larger group of customers starting their adventure with Smart Home.

#2

Enhancement in professional installations

A product complementing the HC3 offer in the area of large installations. Better price matching in large installations as a supplement to the Z-Wave network.

#3

Tailored solutions

Quality guarantee of selecting solutions for the client.
Full operation and support within the FIBARO ecosystem.



BENEFITS FOR THE USER



- #1 The answer to your needs**

Increasing positive experiences and meeting all your needs through a comprehensive system installation service.
- #2 Peaceful sleep**

A solution that meets high quality parameters.
- #3 Availability**

The product is designed as the basic control panel of the FIBARO System. The device ensures stable operation and high quality at an attractive price.

HC3L COMPETITIVE ADVANTAGES



#1

Availability

Home Center 3 Lite is the perfect way to start your adventure with a smart home.

#2

Affordable price

The device at an attractive price allows you to use the full capabilities of the FIBARO system.

#3

Ecosystem

Home Center 3 Lite is an integral part of the FIBARO system with full support for all its elements. It is also perfect for controlling NICE group devices (e.g. through the BiDi Z-Wave adapter).

#4

Versatility

Despite the large capabilities of the system, the device is easy to configure and is fully consistent with the current philosophy of FIBARO products.

SALES VALUES

1. Possibility to reach **new categories of customers**
- also smaller houses and flats
2. **Breaking the entry barrier** into the FIBARO System installation
3. A new sales argument for **simpler building automation installations**
4. An attractive proposition for customers who want to **expand the system** with additional gateways or new smaller locations (e.g. a summer house)
5. The possibility of **returning to customers** who have not decided to use the system for financial reasons
6. Business opportunities in **new distribution channels**
(local developers, institutions, small and medium-sized businesses)





Contact DHS for availability and price

FIBARO